

Air Conditioning
Technical Data

FUA-A



- > FUA71AVEB
- > FUA100AVEB
- > FUA125AVEB

TABLE OF CONTENTS

FUA-A

1	Features	2
2	Specifications	3
	Technical Specifications	3
	Electrical Specifications	4
3	Options	5
4	Dimensional drawings	6
5	Centre of gravity	7
6	Piping diagrams	8
7	Wiring diagrams	9
	Wiring Diagrams - Single Phase	9
8	External connection diagrams	10
9	Sound data	11
	Sound Pressure Spectrum	11

1 Features

Unique Daikin unit for high rooms with no false ceilings nor free floor space

- Even rooms with ceilings up to 3.5m can be heated up or cooled down very easily without capacity loss
- Can easily be installed in both new and refurbishment projects
- Unified indoor unit can be combined with R-32 and R-410A outdoor units, simplifying stock
- Combining with R-32 Bluevolution technology, reduces environmental impact with 68% compared to R-410A, leads directly to lower energy consumption thanks to its high energy efficiency and has up to lower 16% refrigerant charge
- Individual flap control: flexibility to suit every room layout without changing the location of the unit!
- Stylish modern casing finished in pure white (RAL9010) and iron grey (RAL7011) blends easily with any interior
- Optimum comfort guaranteed with automatic air flow adjustment to the required load
- 5 different discharge angles between 0 and 60° can be programmed via the remote control
- Standard drain pump with 500mm lift increases flexibility and installation speed



Infrastructure cooling



Home leave operation



Fan only



Draught prevention



Auto cooling-heating changeover



Individual flap control



Vertical auto swing



Fan speed steps



Dry programme



Air filter



Weekly timer



Infrared remote control



Wired remote control



Centralised control



Auto-restart



Self diagnosis



Drain pump kit



Twin/triple/double twin application

2 Specifications

2-1 Technical Specifications				FUA71A	FUA100A	FUA125A	
Casing	Colour			Fresh White			
	Material			Resin			
Dimensions	Unit	Height/Width/Depth	mm	198/950/950			
	Packed unit	Height/Width/Depth	mm	295/1,026/1,016			
Weight	Unit		kg	25.0	26.0		
	Packed unit		kg	36	38		
Packing	Material			Carton + Wood + EPS		-	
Heat exchanger	Inside length		mm	2,413	2,360		
	Outside length		mm	2,467			
	Rows	Quantity		2	3		
	Fin pitch		mm	1.20			
	Face area		m ²	0.338	0.330		
	Stages	Quantity		10			
	Empty tubeplate hole	Quantity		0			
	Tube type			Hi-XA			
	Fin	Type		Multi slit fin			
Air filter	Type			Resin net			
Fan	Type			Turbo fan			
	Quantity			1			
	Air flow rate	Cooling	High	m ³ /min	23.0	31.0	32.5
				cfm	812	1,095	1,148
			Medium	m ³ /min	19.5	25.5	26.5
		cfm	689	901	936		
		Low	m ³ /min	16.0	20.0	20.5	
			cfm	565	706	724	
	Heating	High	m ³ /min	23.0	31.0	32.5	
			cfm	812	1,095	1,148	
		Medium	m ³ /min	19.5	25.5	26.5	
			cfm	689	901	936	
		Low	m ³ /min	16.0	20.0	20.5	
cfm			565	706	724		
Fan motor	Quantity			1			
	Model			ARW5203DK	EHDS10DDK		
	Drive			Direct drive			
	Speed	Steps		3			
	Phase x Voltage		V	DC280V			
	Full load amps (FLA)	Cooling	A	0.7	1.0	1.1	
		Heating	A	0.7	1.0	1.1	
Sound power level	Cooling		dBA	59	64	65	
	Heating		dBA	59	64	-	
Sound pressure level	Cooling	High/Medium/Low	dBA	41/38/35	46/42/39	47/43/40	
	Heating	High/Medium/Low	dBA	41/38/35	46/42/39	47/43/40	
Piping connections	Liquid	Type/OD	mm	C1220T (Flare connection)/9,52			
	Gas	Type/OD	mm	C1220T (Flare connection)/15.9			
	Drain			VP25 (OD Ø32.0)			
Drain-up height			mm	600			

Standard Accessories : Operation manual; Quantity : 1;

Standard Accessories : Installation manual; Quantity : 1;

Standard Accessories : Drain hose; Quantity : 1;

Standard Accessories : Thermal insulation tube; Quantity : 3;

Standard Accessories : Tie-wraps; Quantity : 10;

Standard Accessories : Hose band; Quantity : 1;

Standard Accessories : Sealing material; Quantity : 4;

Standard Accessories : Washer fixing plate; Quantity : 1;

2 Specifications

Standard Accessories : Drain joint; Quantity : 1;

Standard Accessories : Non woven fabric; Quantity : 1;

Standard Accessories : Washer; Quantity : 8;

Standard Accessories : Fixing screw for drain hose; Quantity : 5;

2

2-2 Electrical Specifications			FUA71A	FUA100A	FUA125A
Current - 50Hz	Maximum running current	A	0.9	1.3	1.4

3 Options

3 - 1 Options

FUA-A

Option kit		Product name
Air discharge outlet sealing member		KDBHP49B140
Decoration panel		KDBTP49B140
Long-life replacement filter		KAFP551K160
Remote control	Wired remote control	BRC1D528, BRC1E51A7, BRC1E53A7 ⁽¹⁾ , BRC1E53B7 ⁽²⁾ , BRC1E53C7 ⁽³⁾ , BRC1E61
	Wireless remote control	
	Heat pump	BRC7CB58
	Cooling only	BRC7CB59
Simplified remote control (with operation mode selector button)		BRC2E52C7 ⁽⁴⁾
Simplified remote control (without operation mode selector button)		BRC3E52C7 ⁽⁴⁾
Central remote control		DCS302CA51, DCS302CA61
Unified ON/OFF controller		DCS301BA51, DCS301BA61
Schedule timer		DST301BA51, DST301BA61
Wiring adaptor for electrical appendices		KRP4AA53 ⁽⁵⁾
Installation box for adaptor PCB		KRP1BA97
Remote sensor		KRCS01-4B
Remote "ON/OFF" and "forced OFF" kit		EKRORO5
Electrical box with earth terminal (3 blocks)		KJB311AA
Electrical box with earth terminal (2 blocks)		KJB212AA
Digital input adaptor		BRP7A53 ⁽⁶⁾

- ① Included languages are: English, German, French, Italian, Spanish, Portuguese, and Dutch.
- ② Included languages are: English, Czech, Croatian, Hungarian, Slovenian, Romanian, and Bulgarian.
- ③ Included languages are: English, Russian, Greek, Turkish, Polish, Albanian, and Slovak.
- ④ Included languages are:
 Language pack 1: English, Bulgarian, Croatian, Czech, Hungarian, Romanian, and Slovenian.
 With PC cable EKPCCAB in combination with the Updater PC software, you can additionally change the language to:
 Language pack 2: English, Bulgarian, Croatian, Czech, Hungarian, Romanian, and Slovenian.
 Language pack 3: English, Greek, Polish, Russian, Serbian, Slovak, and Turkish.
- ⑤ Requires installation box 6.
- ⑥ Only possible in combination with simplified remote control BRC2/3E52C7.

3D109747

4 Dimensional drawings

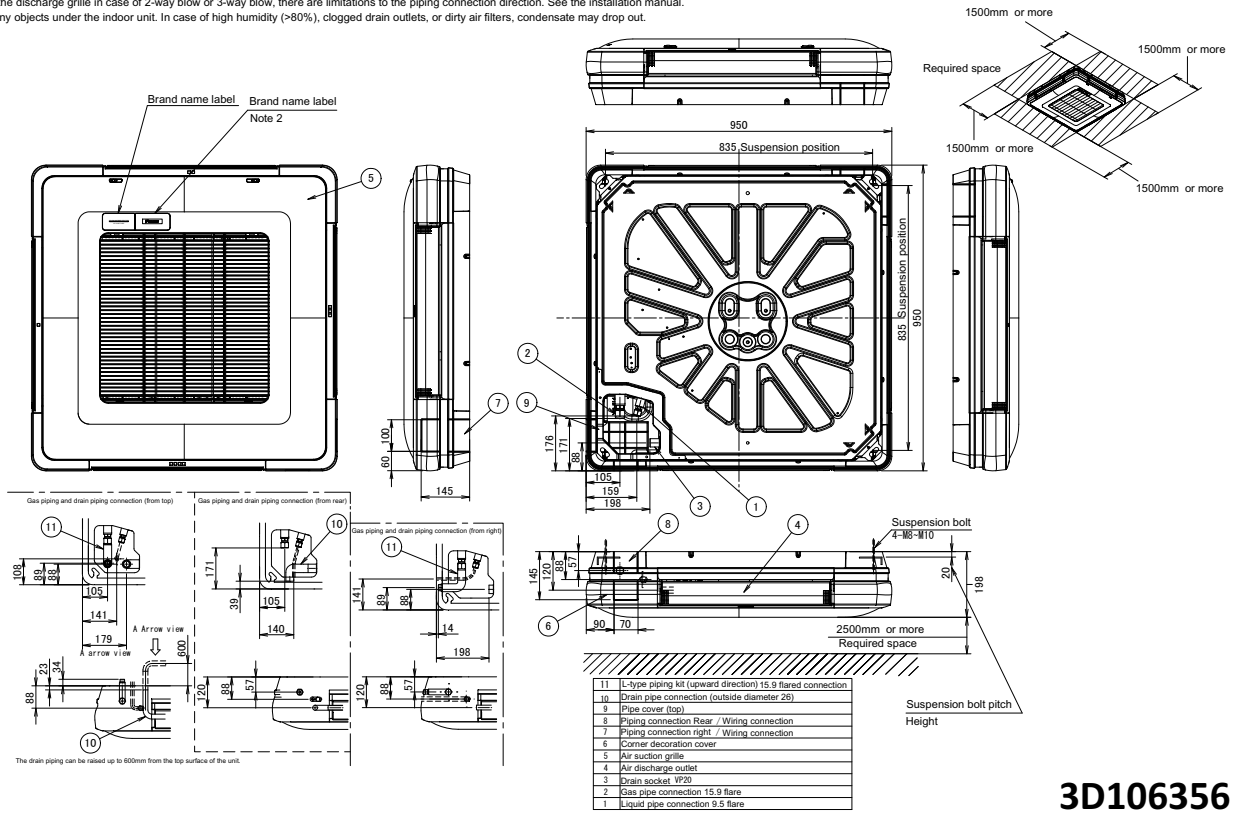
4 - 1 Dimensional Drawings

FUA-A

Notes

1. The unit nameplate is located on the control box cover.
2. When installing a wireless controller, there will be a receiver on this location. For details, see the drawing of the wireless controller.
3. When closing the discharge grille in case of 2-way blow or 3-way blow, there are limitations to the piping connection direction. See the installation manual.
4. Do not place any objects under the indoor unit. In case of high humidity (>80%), clogged drain outlets, or dirty air filters, condensate may drop out.

When closing the air outlet, the required space is 30mm or more. (Note 3)

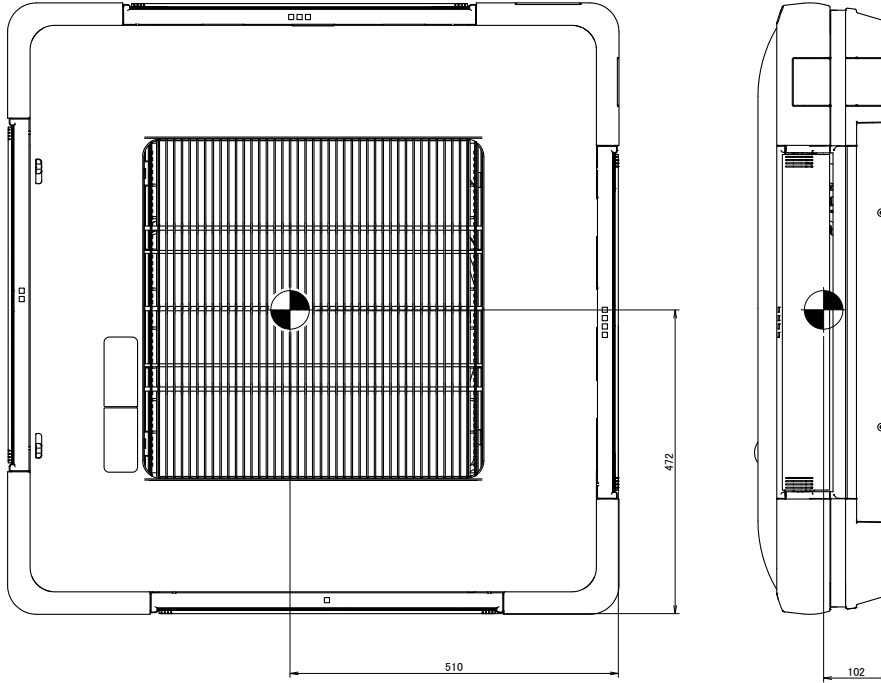


3D106356

5 Centre of gravity

5 - 1 Centre of Gravity

FUA-A

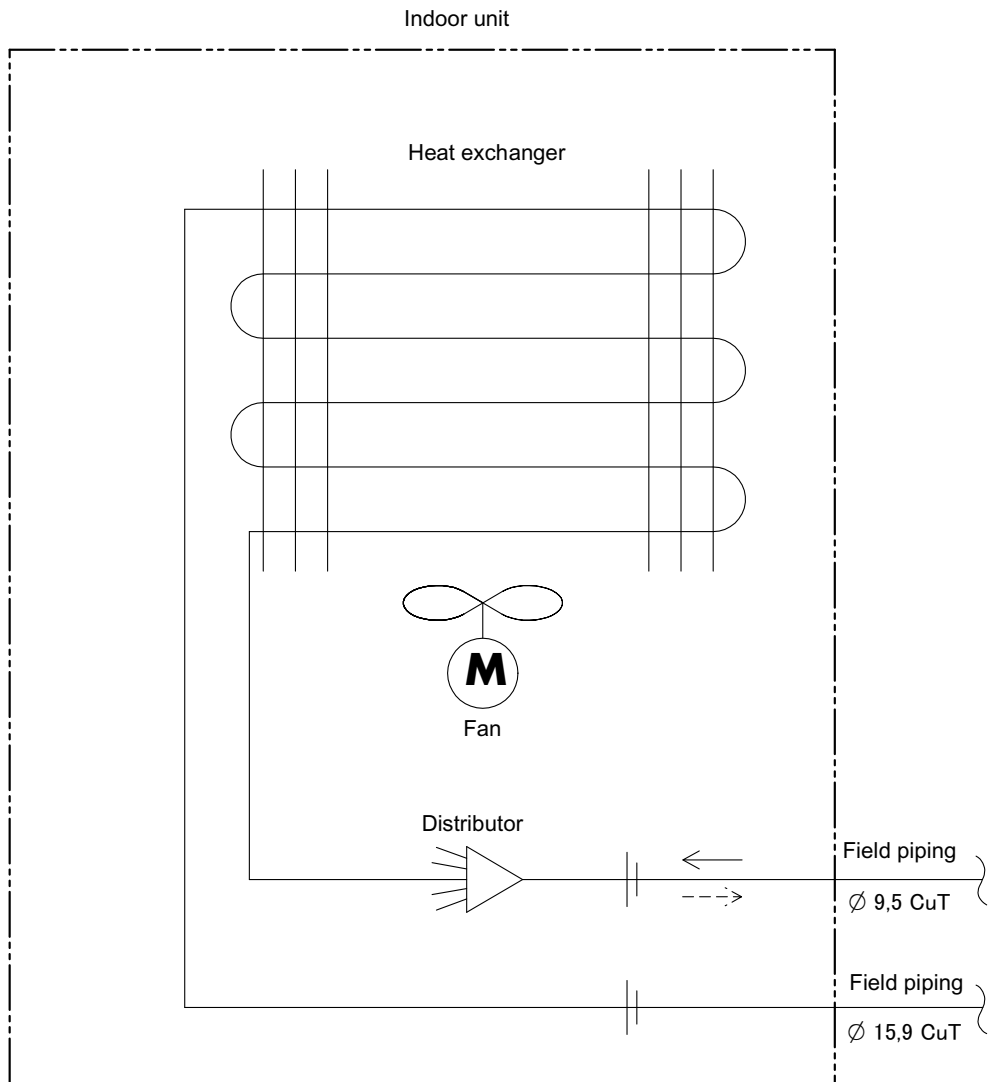


3D106830

6 Piping diagrams

6 - 1 Piping Diagrams

FUA-A

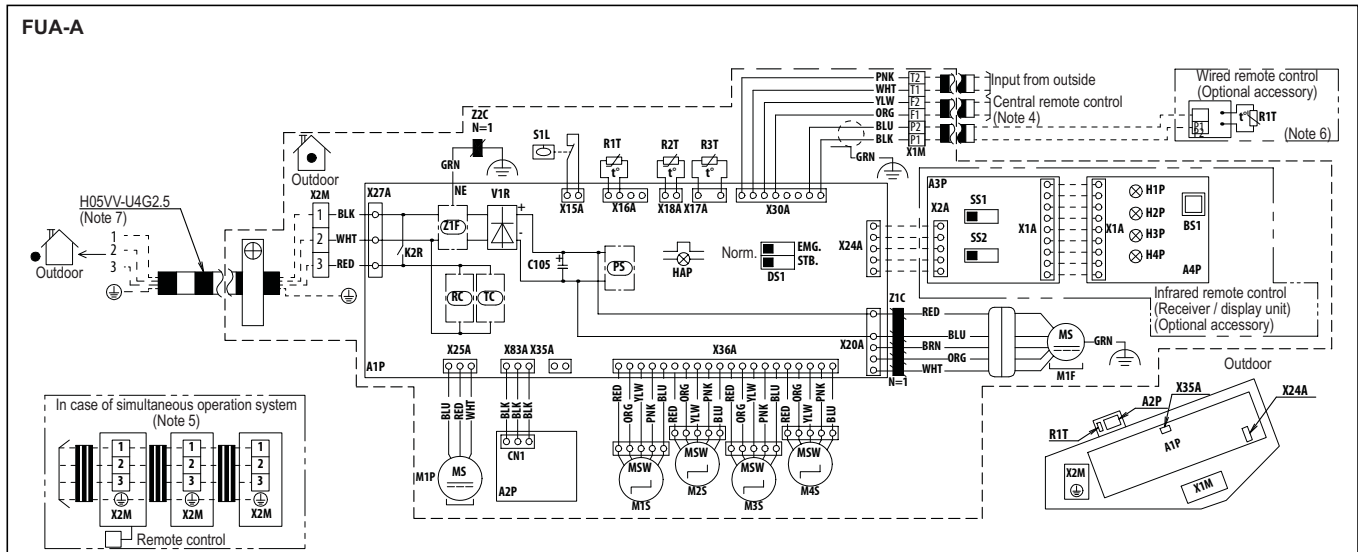


Refrigerant flow
 —→ Cooling
 - - - → Heating

4D106632

7 Wiring diagrams

7 - 1 Wiring Diagrams - Single Phase



Indoor unit	
A1P	Printed circuit board
A2P	Printed circuit board
C105	Capacitor (M1F)
DS1	Dip switch on PCB flashing lamp
HAP	Flashing lamp (service monitor: green)
K2R	Magnetic relay
M1F	Motor (indoor fan)
M1P	Motor (drain pump)
M1~4S	Motor (swing blade)
R1T	Thermistor (air)
R2T-R3T	Thermistor (coil)
S1L	FLOATING SWITCH
V1R	Diode bridge
X1M	TERMINAL BLOCK
X2M	Terminal block
Z1F	Noise filter
Z1C	Ferrite core
Z2C	Ferrite core

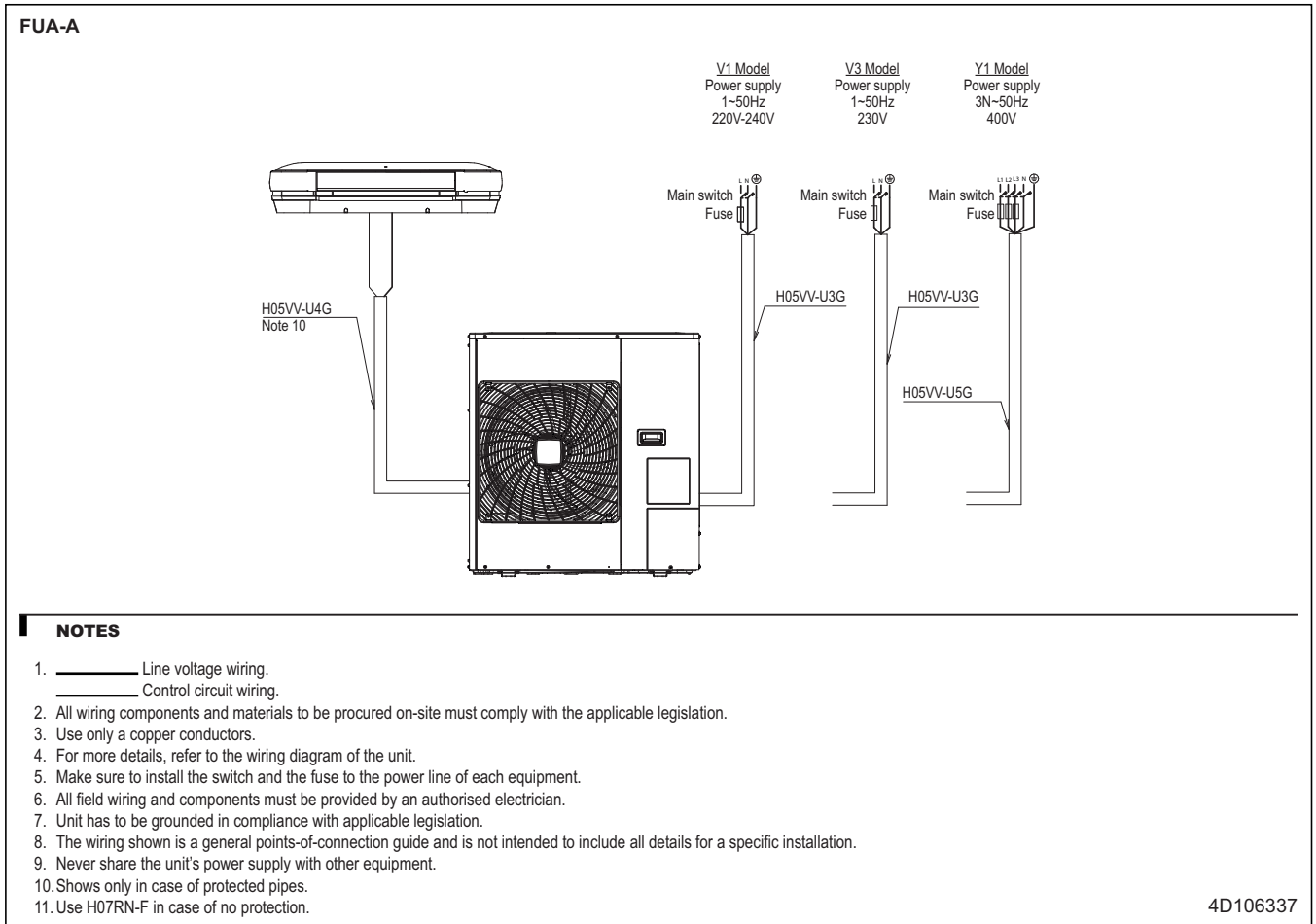
PS	Power supply circuit
RC	Signal receiver circuit
TC	Signal transmission
Connector for optional parts	
X24A	Connector (infrared remote control)
X35A	Connector (power supply for adaptor)
Infrared remote control (receiver/display unit)	
A3P	Printed circuit board
A4P	Printed circuit board
BS1	Push button (on/off)
H1P	Pilot lamp (on: red)
H2P	Pilot lamp (timer: green)
H3P	Pilot lamp (filter sign: red)
H4P	Pilot lamp (defrost: orange)
SS1	Selector switch (main/sub)
SS1	Selector switch (wireless address set)
Remote control	
R1T	Thermistor (air)

NOTES

- □ □ : terminal block, □ □ □ : connector, - - - : field wiring, ⊕ : short circuit connector
- In case of simultaneous operation indoor unit system, see the indoor unit wiring only.
- For the detail, see wiring diagram attached to outdoor unit.
- In case using central remote control, connect it to the unit in accordance with the attached installation manual.
- In case of simultaneous operation system, connected quantity of the indoor units varies according to the connection outdoor unit. Confirm technical guide and catalogue, etc. before connecting.
- In case of main/sub changeover see the installation manual attached to remote control.
- Shows only in case of protection piping, use H07RN-F in case of no protection.
- Colors: BLK: Black, RED: Red, BLU: Blue, WHT: White, YLW: Yellow, GRN: Green, BRN: Brown, PNK: Pink.

8 External connection diagrams

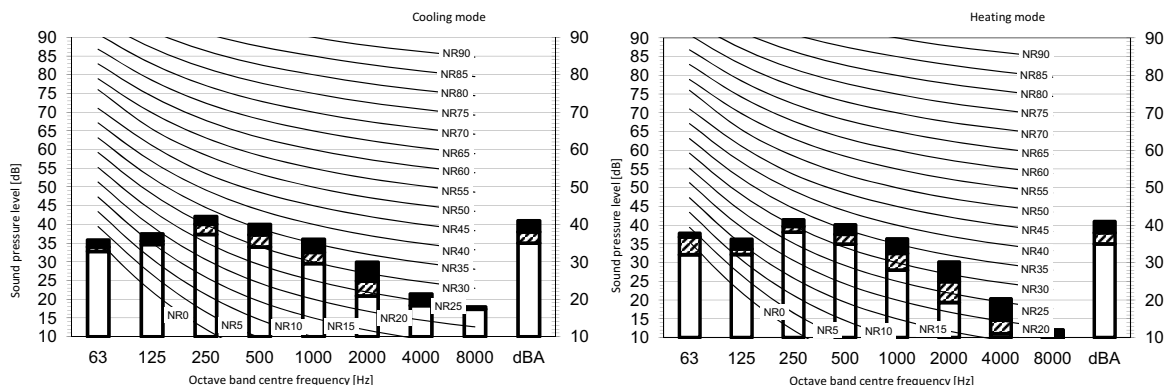
8 - 1 External Connection Diagrams



9 Sound data

9 - 1 Sound Pressure Spectrum

FUA71A



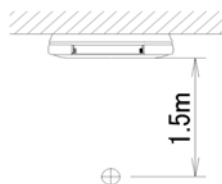
Legend
dBA = A-weighted sound pressure level (A scale according to IEC).

A Scale Fan speed
B High
C Medium
D Low

Cooling		Total dB	
A	B	C	D
dBA	41	38	35

Heating		Total dB	
A	B	C	D
dBA	41	38	35

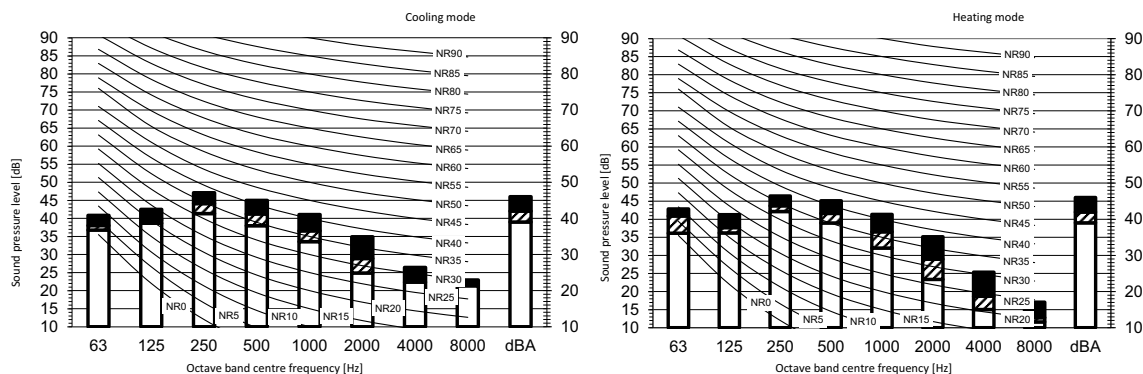
Location of microphone



- Notes
1. Operating conditions: power source 220-240 V/220 V 50/60 Hz; JIS standard
 2. Background noise already taken into account.
 3. Operating noise varies depending on operation and ambient conditions.
 4. The operation noise measuring method is in accordance with JISC9612.
 5. Measuring location: anechoic chamber

3D109825

FUA100A



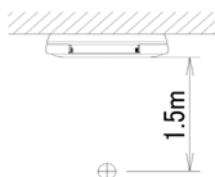
Legend
dBA = A-weighted sound pressure level (A scale according to IEC).

A Scale Fan speed
B High
C Medium
D Low

Cooling		Total dB	
A	B	C	D
dBA	46	42	39

Heating		Total dB	
A	B	C	D
dBA	46	42	39

Location of microphone



- Notes
1. Operating conditions: power source 220-240 V/220 V 50/60 Hz; JIS standard
 2. Background noise already taken into account.
 3. Operating noise varies depending on operation and ambient conditions.
 4. The operation noise measuring method is in accordance with JISC9612.
 5. Measuring location: anechoic chamber

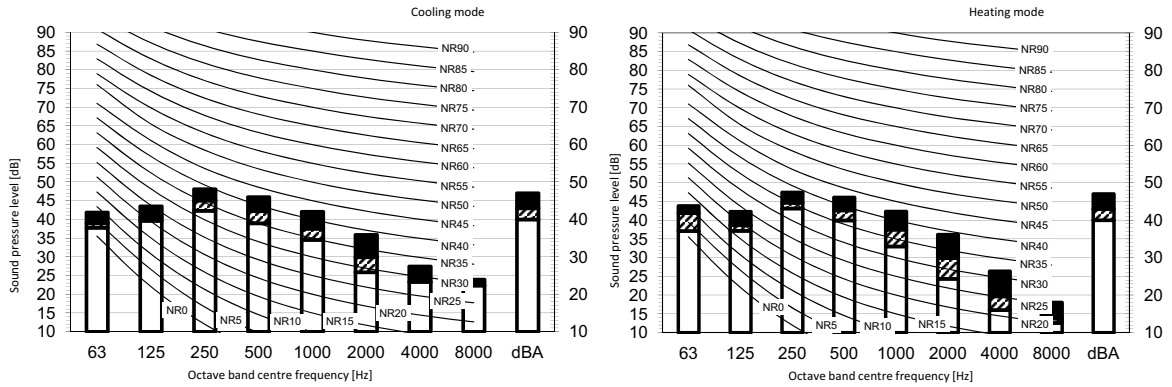
3D109826

9 Sound data

9 - 1 Sound Pressure Spectrum

9

FUA125A

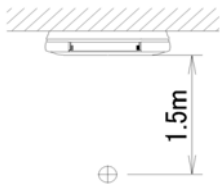


Legend

dBA = A-weighted sound pressure level (A scale according to IEC).

A	Scale	Fan speed
B	High	
C	Medium	
D	Low	

Location of microphone



Cooling		Total dB	
A	B	C	D
dBA	47	43	40

Heating		Total dB	
A	B	C	D
dBA	47	43	40

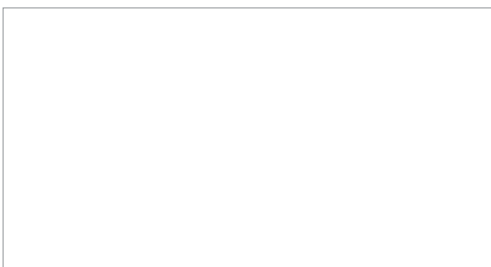
Notes

1. Operating conditions: power source 220-240 V/220 V 50/60 Hz; JIS standard
2. Background noise already taken into account.
3. Operating noise varies depending on operation and ambient conditions.
4. The operation noise measuring method is in accordance with JISC9612.
5. Measuring location: anechoic chamber

3D109827



Daikin Europe N.V. Naamloze Vennootschap - Zandvoordestraat 300, B-8400 Oostende - Belgium - www.daikin.eu - BE 0412 120 336 - RPR Oostende



EEDEN18 10/17



Daikin Europe N.V. participates in the Eurovent Certified Performance programme for Liquid Chilling Packages and Hydronic Heat Pumps, Fan Coil Units and Variable Refrigerant Flow systems. Check ongoing validity of certificate: www.eurovent-certification.com



The present leaflet is drawn up by way of information only and does not constitute an offer binding upon Daikin Europe N.V.. Daikin Europe N.V. has compiled the content of this leaflet to the best of its knowledge. No express or implied warranty is given for the completeness, accuracy, reliability or fitness for particular purpose of its content and the products and services presented therein. Specifications are subject to change without prior notice. Daikin Europe N.V. explicitly rejects any liability for any direct or indirect damage, in the broadest sense, arising from or related to the use and/or interpretation of this leaflet. All content is copyrighted by Daikin Europe N.V.