

**DAIKIN**



---

# INSTALLATION MANUAL

---

**R410A SPLIT SERIES**



**MODELS**

**FTXB50CV1B**

**RXB50CV1B**

**FTXB60CV1B**

**RXB60CV1B**

Installation Manual  
R410A Split Series

**English**

Manuel d'installation  
Série split R410A

**Français**

Installationsanleitung  
Split-Baureihe R410A

**Deutsch**

Manuale d'installazione  
Serie Multiambienti R410A

**Italiano**

Manual de instalación  
Serie Split R410A

**Español**

Руководство по монтажу  
Серия R410A с отдельной установкой

**Русский**

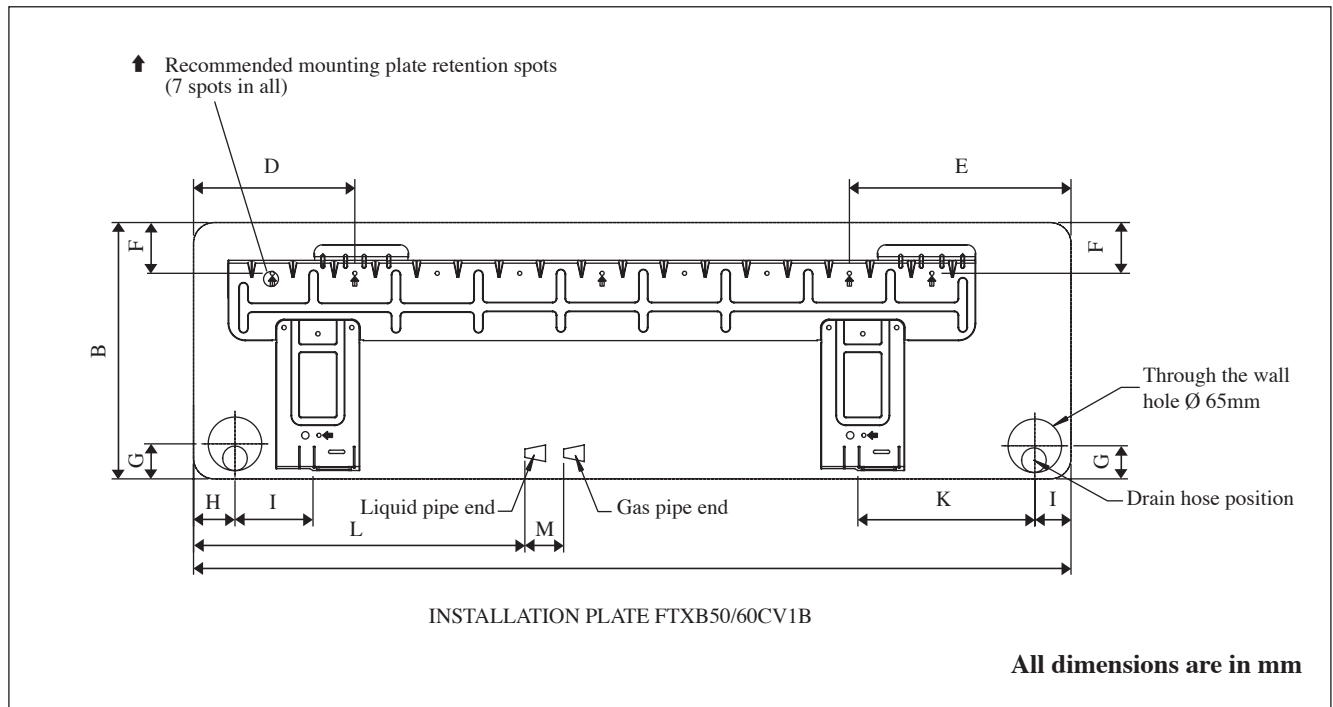
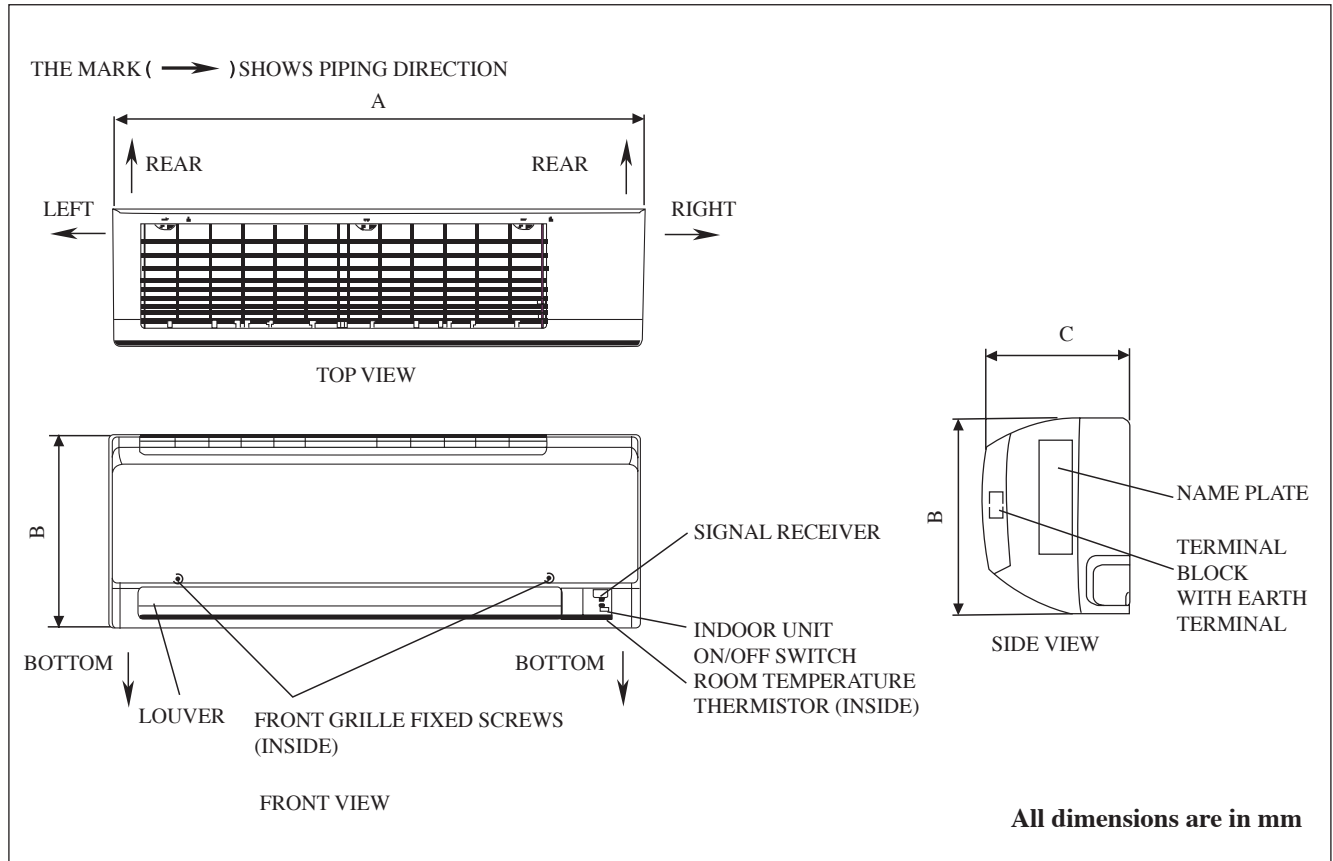
Montaj kılavuzu  
R410A Split serisi

**Türkçe**



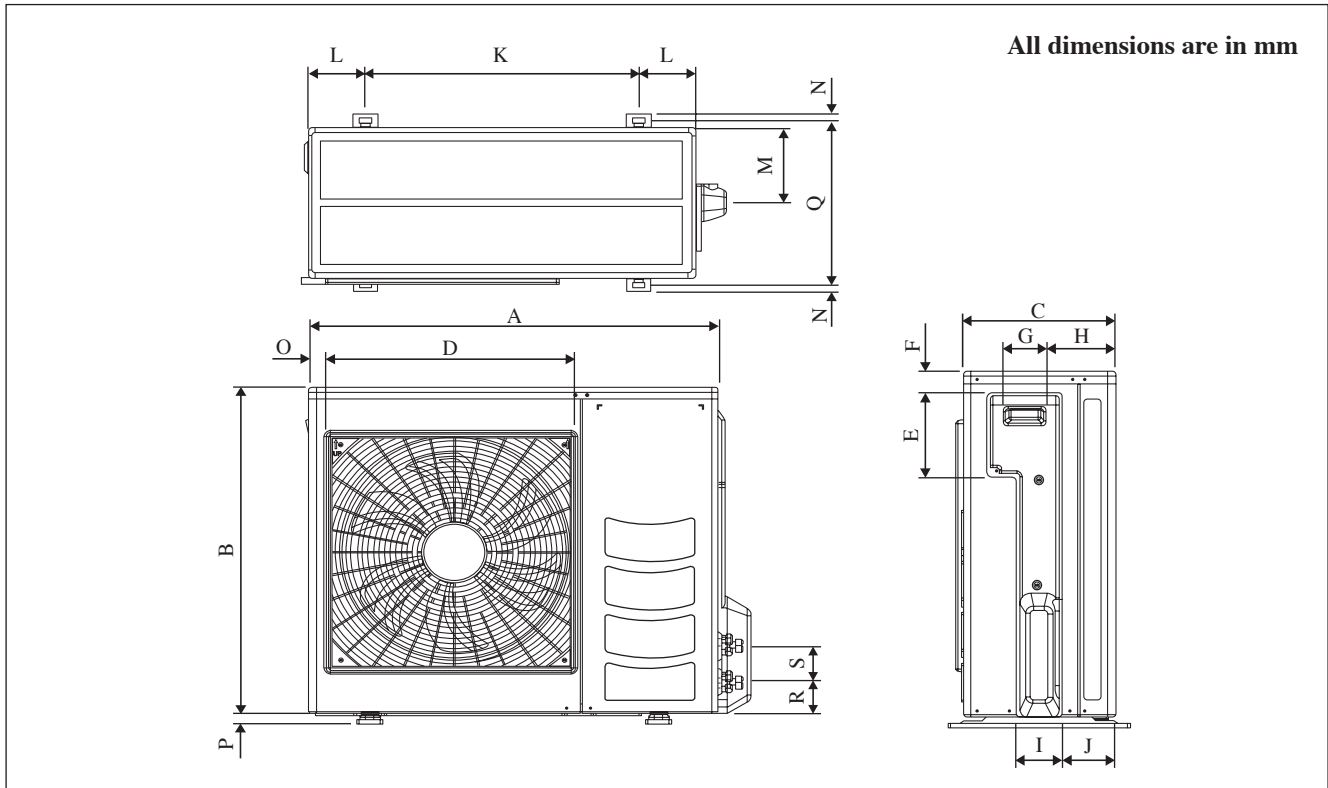
## OUTLINE AND DIMENSIONS

### Indoor Unit



Dimension Model	A	B	C	D	E	F	G	H	I	J	K	L	M
<b>FTXB50/60CV1B</b>	1065	310	228	190	173	61	40	45	48	91	219	580	45

# Outdoor Unit RXB50/60CV1B



Dimension / Model	A	B	C	D	E	F	G	H	I	J	K	L	M	N
<b>RXB50/60CV1B</b>	855	730	328	520	179	46	93	149	101	113	603	126	164	15

Dimension / Model	O	P	Q	R	S
<b>RXB50/60CV1B</b>	34	23	362	73	75



# INSTALLATION MANUAL

This manual provides the procedures of installation to ensure a safe and good standard of operation for the air conditioner unit. Special adjustment may be necessary to suit local requirement.

Before using your air conditioner, please read this instruction manual carefully and keep it for future reference.

This appliance is intended to be used by expert or trained users in shops, in light industry and on farms, or for commercial use by lay persons.

This appliance is not intended for use by persons, including children, with reduced physical, sensory or mental capabilities, or lack of experience and knowledge, unless they have been given supervision or instruction concerning use of the appliance by a person responsible for their safety.

Children should be supervised to ensure that they do not play with the appliance.





## SAFETY PRECAUTIONS

### WARNING

- Installation and maintenance should be performed by qualified persons who are familiar with local code and regulation, and experienced with this type of appliance.
- All field wiring must be installed in accordance with the national wiring regulation.
- Ensure that the rated voltage of the unit corresponds to that of the name plate before commencing wiring work according to the wiring diagram.
- The unit must be GROUNDED to prevent possible hazard due to insulation failure.
- All electrical wiring must not touch the refrigerant piping or any moving parts of the fan motors.
- Confirm that the unit has been switched OFF before installing or servicing the unit.
- Disconnect from the main power supply before servicing the air conditioner unit.
- DO NOT pull out the power cord when the power is ON. This may cause serious electrical shocks which may result in the fire hazards.
- Keep the indoor and outdoor units, power cable and transmission wiring, at least 1m from TVs and radios, to prevent distorted pictures and static. {Depending on the type and source of the electrical waves, static may be heard even when more than 1m away}.

### CAUTION

Please take note of the following important points when installing.

- Do not install the unit where leakage of flammable gas may occur.
  -  If gas leaks and accumulates around the unit, it may cause fire ignition.
- Ensure that drainage piping is connected properly.
  -  If the drainage piping is not connected properly, it may cause water leakage which will dampen the furniture.
- Do not overcharge the unit.
  - This unit is factory pre-charged.
  -  Overcharge will cause over-current or damage to the compressor.
- Ensure that the unit's panel is closed after service or installation.
  -  Unsecured panels will cause the unit to operate noisily.
- Sharp edges and coil surfaces are potential locations which may cause injury hazards. Avoid from being in contact with these places.
- Before turning off the power supply, set the remote controller's ON/OFF switch to the "OFF" position to prevent the nuisance tripping of the unit. If this is not done, the unit's fans will start turning automatically when power resumes, posing a hazard to service personnel or the user.
- Do not install the units at or near doorway.
- Do not operate any heating apparatus too close to the air conditioner unit or use in room where mineral oil, oil vapour or oil steam exist, this may cause plastic part to melt or deform as a result of excessive heat or chemical reaction.
- When the unit is used in kitchen, keep flour away from going into suction of the unit.
- This unit is not suitable for factory used where cutting oil mist or iron powder exist or voltage fluctuates greatly.
- Do not install the units at area like hot spring or oil refinery plant where sulphide gas exists.
- Ensure the color of wires of the outdoor unit and the terminal markings are same to the indoors respectively.
- **IMPORTANT: DO NOT INSTALL OR USE THE AIR CONDITIONER UNIT IN A LAUNDRY ROOM.**
- Don't use joined and twisted wires for incoming power supply.
- The equipment is not intended for use in a potentially explosive atmosphere.

## NOTICE

### Disposal requirements

Your air conditioning product is marked with this symbol. This means that electrical and electronic products shall not be mixed with unsorted household waste.

Do not try to dismantle the system yourself: the dismantling of the air conditioning system, treatment of the refrigerant, of oil and of other parts must be done by a qualified installer in accordance with relevant local and national legislation.

Air conditioners must be treated at a specialized treatment facility for re-use, recycling and recovery. By ensuring this product is disposed of correctly, you will help to prevent potential negative consequences for the environment and human health. Please contact the installer or local authority for more information.

Batteries must be removed from the remote controller and disposed of separately in accordance with relevant local and national legislation.



## IMPORTANT

### Important information regarding the refrigerant used

This product contains fluorinated greenhouse gases.

Do not vent gases into the atmosphere.

Refrigerant type: R410A

GWP <sup>(1)</sup> value: 2087.5

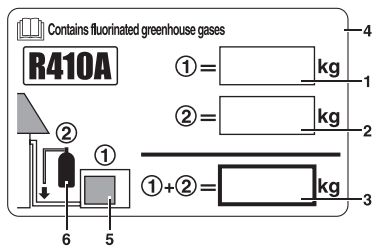
<sup>(1)</sup> GWP = Global Warming Potential

Please fill in with indelible ink,

- ① the factory refrigerant charge of the product,
- ② the additional refrigerant amount charged in the field and
- ① + ② the total refrigerant charge

on the refrigerant charge label supplied with the product.

The filled out label must be adhered in the proximity of the product charging port (e.g. onto the inside of the service cover).



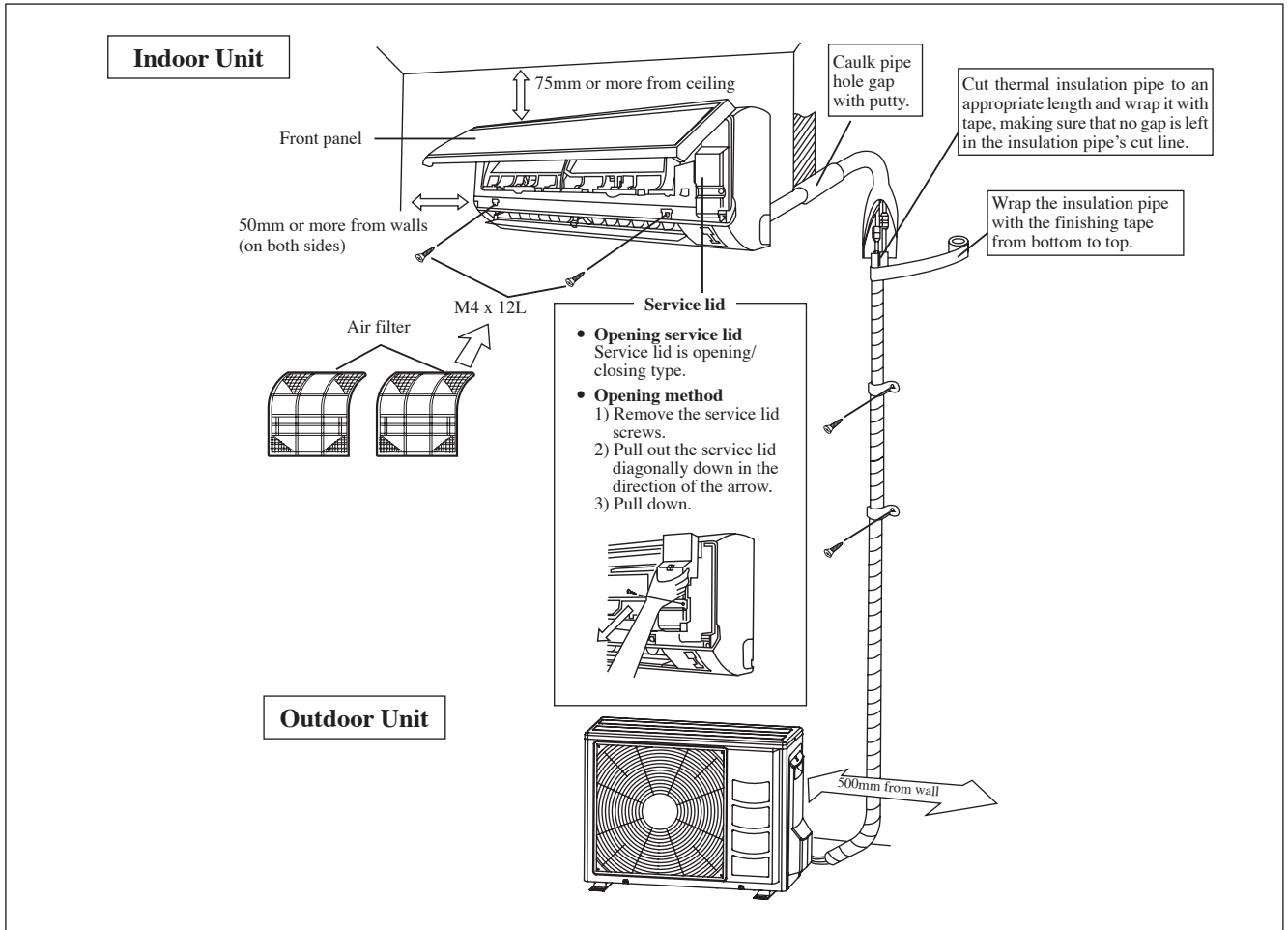
- 1 factory refrigerant charge of the product:  
see unit name plate <sup>(2)</sup>
- 2 additional refrigerant amount charged in the field
- 3 total refrigerant charge
- 4 contains fluorinated greenhouse gases
- 5 outdoor unit
- 6 refrigerant cylinder and manifold for charging

<sup>(2)</sup> In case of multiple indoor systems, only 1 label must be adhered\*, mentioning the total factory refrigerant charge of all indoor units connected in the refrigerant system.

Periodical inspections for refrigerant leaks may be required depending on European or local legislation. Please contact your local dealer for more information.

\* on the outdoor unit

## INSTALLATION DIAGRAM



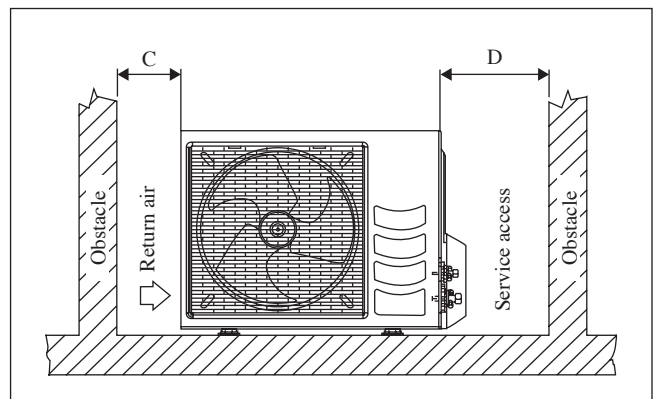
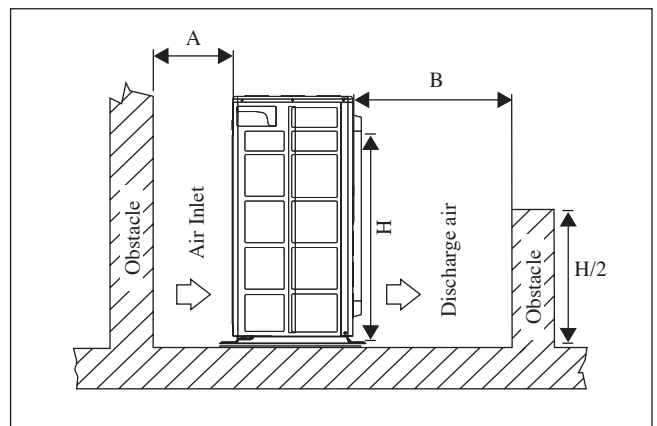
## INSTALLATION OF THE OUTDOOR UNIT

The outdoor unit must be installed in such a way, so as to prevent short circuit of the hot discharged air or obstruction to the smooth air flow. Please follow the installation clearances shown in the figure. Select the coolest possible place where intake air temperature is not greater than the outside air temperature (Refer to operating range).

### Installation clearances

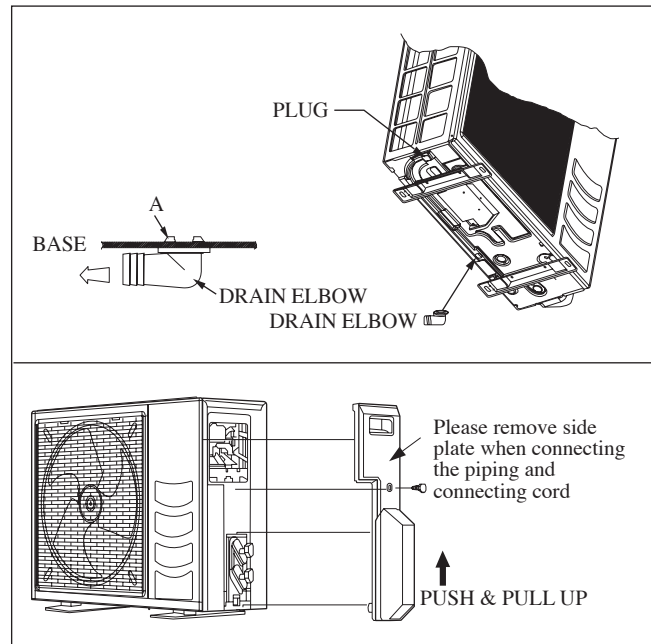
Dimension	A	B	C	D
Minimum Distance, mm	300	1000	300	500

**Note:** If there is any obstacle higher than 2m, or if there is any obstruction at the upper part of the unit, please allow more space than the figure indicated in the above table.



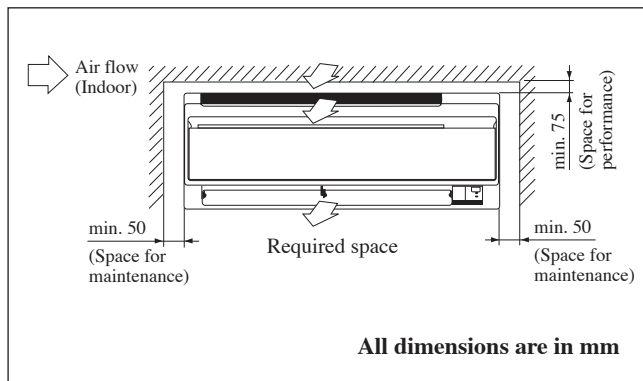
## Condensed Water Disposal Of Outdoor Unit (Heat Pump Unit Only)

- There are 2 holes on the base of Outdoor Unit for condensed water to flow out. Insert the drain elbow to one of the holes.
- To install the drain elbow, first insert one portion of the hook to the base (portion A), then pull the drain elbow in the direction shown by the arrow while inserting the other portion to the base. After installation, check to ensure that the drain elbow clings to base firmly.
- If the unit is installed in a snowy and chilly area, condensed water may freeze in the base. In such case, please remove plug at the bottom of unit to smooth the drainage.



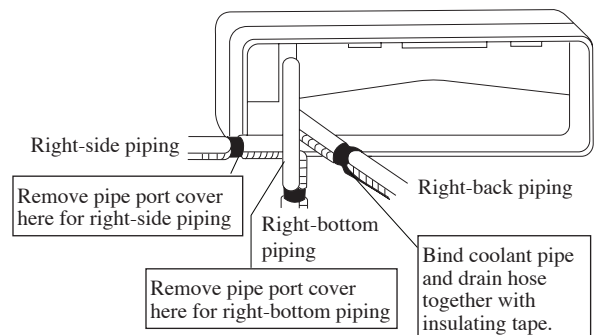
## INSTALLATION OF THE INDOOR UNIT

The indoor unit must be installed in such a way so as to prevent short circuit of the cool discharged air with the hot return air. Please follow the installation clearance shown in the figure. Do not place the indoor unit where there could be direct sunlight shining on it. Also, this location must be suitable for piping and drainage, and be away from doors or windows.

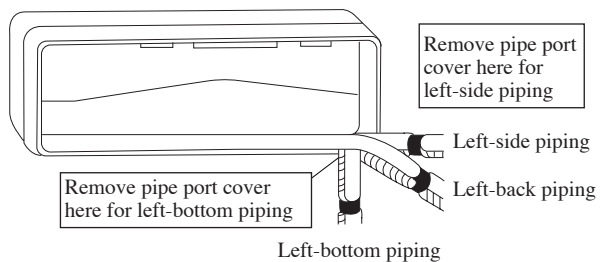


The refrigerant piping can be routed to the unit in a number of ways (left or right from the back of the unit), by using the cut-out holes on the casing of the unit (see figure). Bend the pipes carefully to the required position in order to align it with the holes. For the side and bottom, hold the bottom of the piping and then position it to the required direction (see figure). The condensation drain hose can be taped to the pipes.

### Right-side, right-back or right-bottom piping



### Left-side, left-back or left-bottom piping

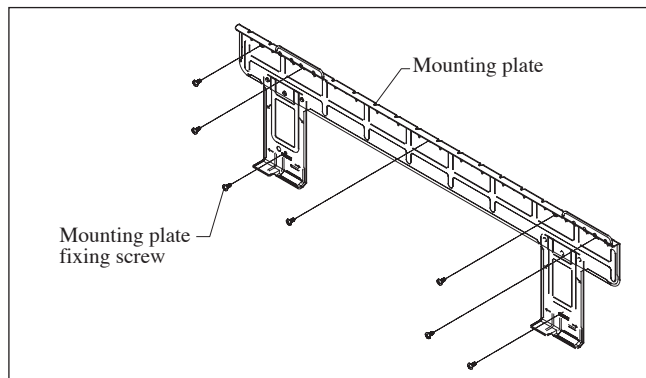


### Mounting Installation Plate

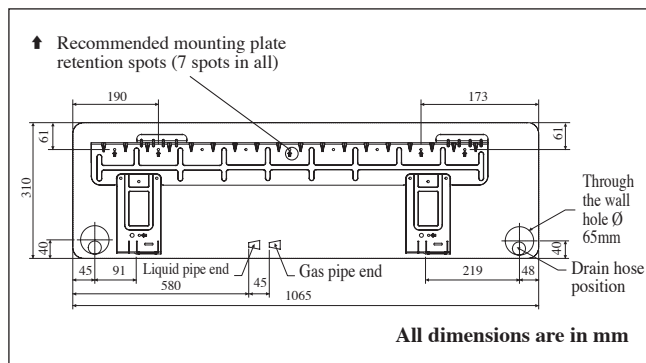
Ensure that the wall is strong enough to withstand the weight of the unit. Otherwise, it is necessary to reinforce the wall with plates, beams or pillars.

Use the level gauge for horizontal mounting, and fix it with 7 suitable screws for FTXB50/60CV1B.

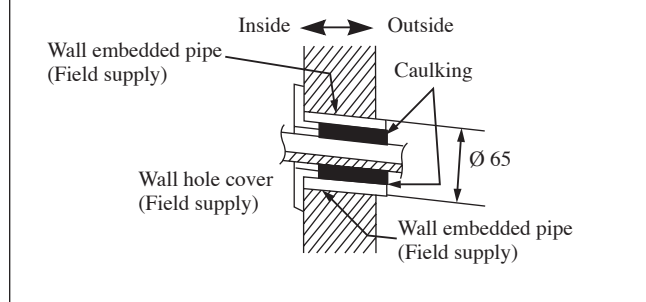
In case the rear piping draws out, drill a hole 65mm in diameter with a cone drill, slightly lower on the outside wall (see figure).



### Recommended Mounting Plate Retention Spots And Dimensions



### Hole with cone drill



### Mount The Unit Onto The Installation Plate

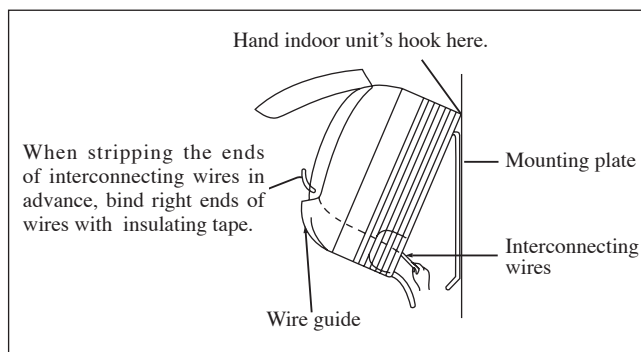
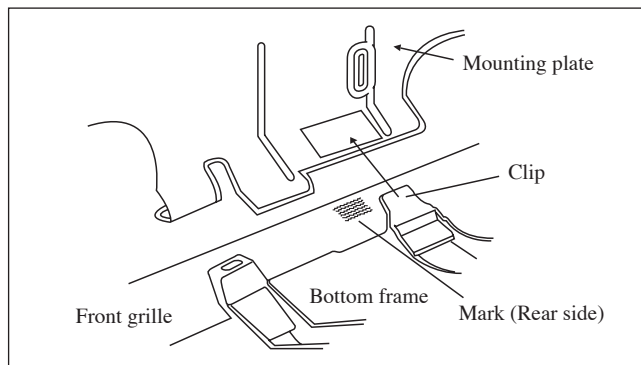
Hook the indoor unit onto the upper portion of the installation plate (Engage the two hooks at the rear top of the indoor unit with the upper edge of the installation plate). Ensure that the hooks are properly seated on the installation plate by moving it to the left and right.

### How To Attach The Indoor Unit

Hook the claws of the bottom frame to the mounting plate.

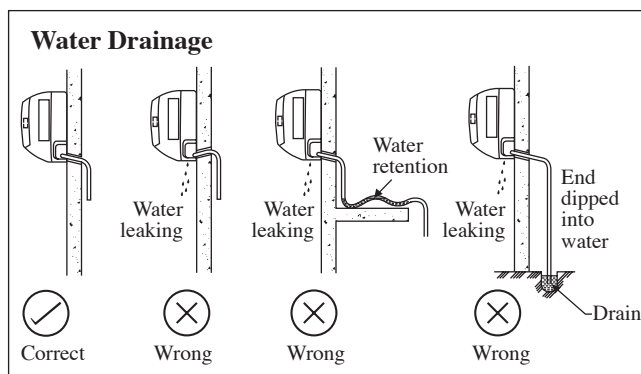
### How To Remove The Indoor Unit

Push up the marked area (at the lower part of the front grille) to release the claws.



### Water Drainage Piping

The indoor drain pipe must be in a downward gradient for smooth drainage. Avoid situations that are likely to cause water to leak.



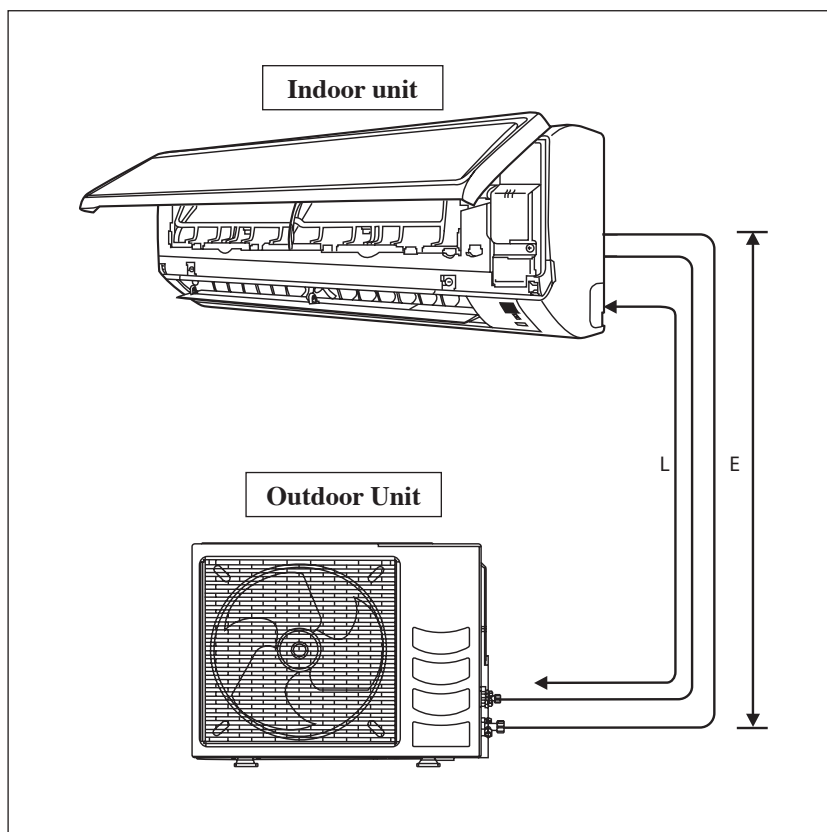
### ⚠ CAUTION

- Do not install the unit at altitude over 2000m for both indoor & outdoor.

## REFRIGERANT PIPING

### Allowable Piping Length

If the pipe is too long, both the capacity and reliability of the unit will drop. As the number of bends increases, resistance to the flow of refrigerant system increases, thus lowering cooling capacity. As a result, the compressor may become defective. Always choose the shortest path and follow the recommendations as tabulated below:





Model	FTXB50CV1B	FTXB60CV1B
Min. Allowable Length (L), m	3	
Max. Allowable Length (L), m	30	
Max. Allowable Elevation (E), m	10	
Gas Pipe Size, mm/(in)	12.70 (1/2")	15.88 (5/8")
Liquid Pipe Size, mm/(in)	6.35 (1/4")	

\*Be sure to add the proper amount of additional refrigerant. Failure to do so may result in reduced performance.

**Remark:** The refrigerant pre-charged in the outdoor unit is for piping length up to 7.5m.

### Equivalent length for various fitting (meter)

Pipe Size	L joint 	Trap bend 
3/8" (OD9.52mm)	0.18	1.3
1/2" (OD12.7mm)	0.20	1.5
5/8" (OD15.9mm)	0.25	2
3/4" (OD19.1mm)	0.35	2.4
7/8" (OD22.2mm)	0.40	3
1" (OD25.4mm)	0.45	3.4
1 1/8" (OD28.6mm)	0.50	3.7
1 3/8" (OD34.9mm)	0.60	4.4

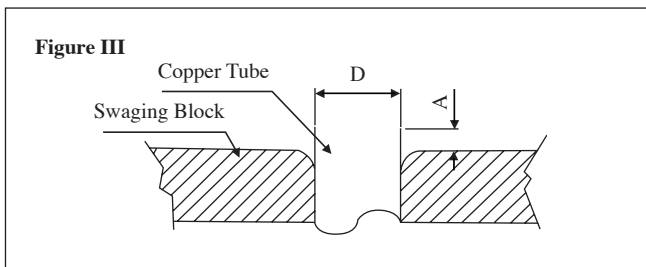
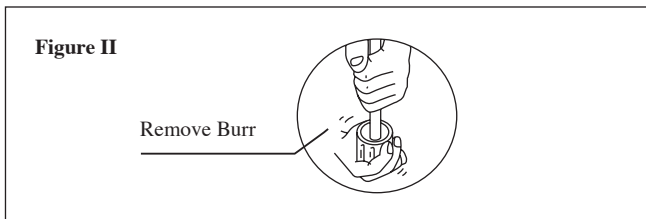
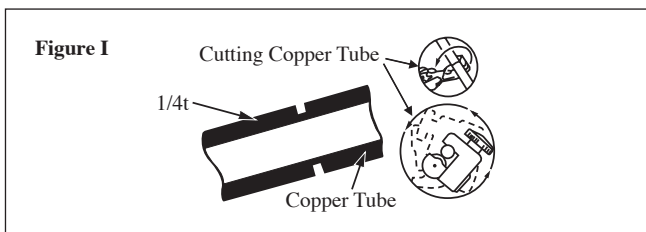
Notes:

1. Equivalent piping length is obtained with actual length of gas piping.
2. 90° bend of piping is equivalent to L joint.

Bending must be carefully made so as not to crush the pipe. Use a pipe bender to bend a pipe where possible.

**Piping Works And Flaring Technique**

- Do not use contaminated or damaged copper tubing. If any piping, evaporator or condenser had been exposed or had been opened for 15 seconds or more, the system must be vacuumed. Generally do not remove plastic, rubber plugs and brass nuts from the valves, fittings, tubing and coils until it is ready to connect suction or liquid line into valves or fittings.
- If any brazing work is required, ensure that nitrogen gas is passed through coil and joints while the brazing work is being done. This will eliminate soot formation on the inside wall of copper tubings.
- Cut the pipe stages by stages, advancing the blade of pipe cutter slowly. Extra force and a deep cut will cause more distortion of pipe and therefore extra burr. See Figure I.
- Remove burrs from cut edges of the pipes with remover. See Figure II. Hold the pipe on top position and burr remover at lower position to prevent metal chips from entering the pipe. This will avoid unevenness on the flare faces which will cause gas leak.
- Insert the flare nuts, mounted on the connection parts of both the indoor unit and outdoor unit, into the copper pipes.
- The exact length of pipe protruding from the top surface of the swaging block is determined by the flaring tool. See Figure III.
- Fix the pipe firmly on the swaging block. Match the centers of both the swaging block and the flaring punch, then tighten the flaring punch fully.

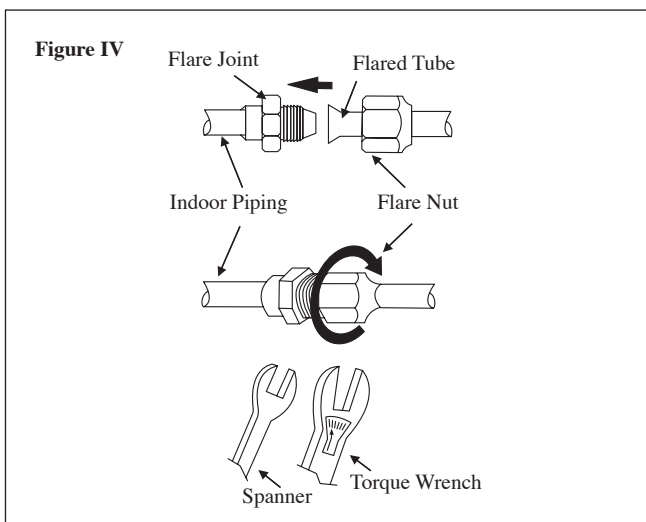


Ø Tube, D		A (mm)	
Inch	mm	Imperial (Wing-nut Type)	Rigid (Clutch Type)
1/4"	6.35	1.30	0.70
1/2"	12.70	1.90	1.30
5/8"	15.88	2.20	1.70

**Piping Connection To The Units**

- Align the center of the piping and tighten the flare nut sufficiently with fingers. See Figure IV.
- Finally, tighten the flare nut with torque wrench until the wrench clicks.
- When tightening the flare nut with the torque wrench, ensure that the tightening direction follows the arrow indicated on the wrench.
- The refrigerant pipe connection are insulated by closed cell polyurethane.

Pipe Size, mm (in)	Torque, Nm/(ft-lb)
6.35 (1/4")	18 (13.3)
12.70 (1/2")	55 (40.6)
15.88 (5/8")	65 (48.0)

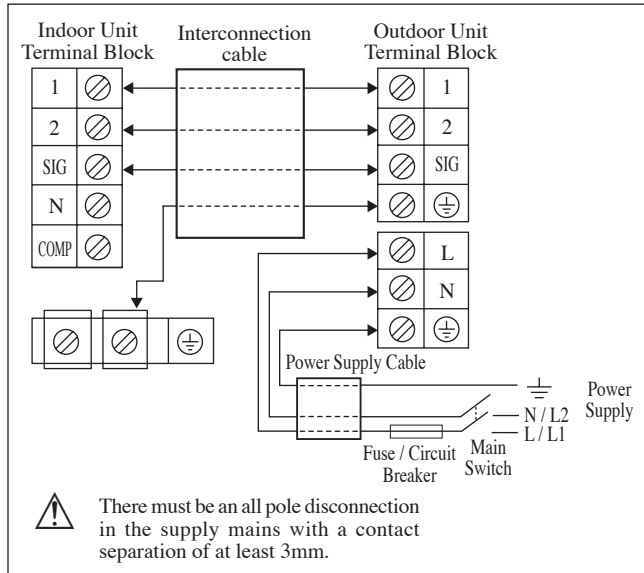




## ELECTRICAL WIRING CONNECTION

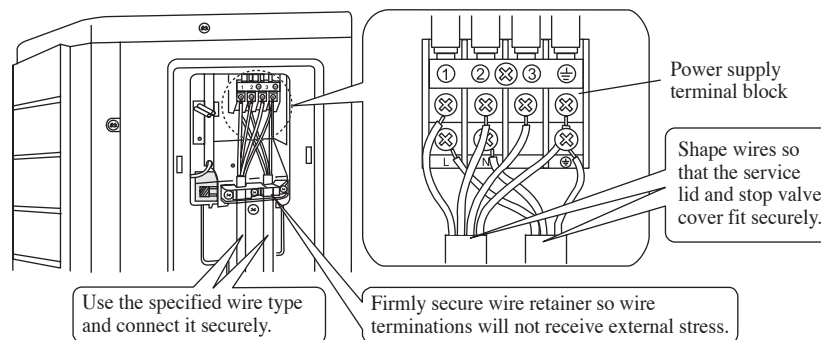
**IMPORTANT :** \* The figures shown in the table are for information purpose only. They should be checked and selected to comply with the local/national codes of regulations. This is also subject to the type of installation and conductors used.

\*\* The appropriate voltage range should be checked with label data on the unit.

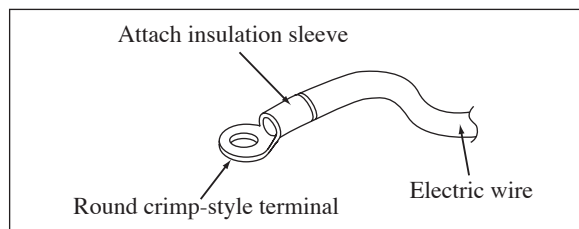


Model	FTXB50/60CV1B RXB50/60CV1B	
Voltage range**	220-240V/~/50Hz + ⊕	
Power supply cable size*	mm <sup>2</sup>	2.5
Number of Conductors	3	
Interconnection cable size*	mm <sup>2</sup>	2.5
Number of Conductors	4	
Recommended fuse/circuit breaker rating	A	20

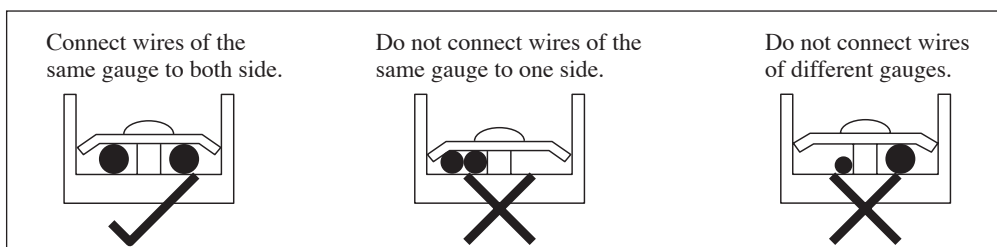
\* If the length of the cable is more than 2m, use cable with bigger size.



- All wires must be firmly connected.
- Make sure all the wire do not touch the refrigerant pipings, compressor or any moving parts.
- The connecting wire between the indoor unit and the outdoor unit must be clamped by using provided cord anchorage.
- The power supply cord must be equivalent to H07RN-F which is the minimum requirement.
- Make sure no external pressure is applied to the terminal connectors and wires.
- Make sure all the covers are properly fixed to avoid any gap.
- Use round crimp-style terminal for connecting wires to the power supply terminal block. Connect the wires by matching to the indication on terminal block. (Refer to the wiring diagram attached on the unit).



- Used the correct screwdriver for terminal screws tightening. Unsuitable screwdrivers can damage the screw head.
- Over tightening can damage the terminal screws.
- Do not connect wire of different gauge to same terminal.
- Keep wiring in an orderly manner. Prevent the wiring from obstructing other parts and the terminal box cover.





## SPECIAL PRECAUTIONS WHEN DEALING WITH R410A UNIT

R410A is a new HFC refrigerant which does not damage the ozone layer. The working pressure of this new refrigerant is 1.6 times higher than conventional refrigerant (R22), thus proper installation/servicing is essential.

- Never use refrigerant other than R410A in an air conditioner which is designed to operate with R410A.
- POE or PVE oil is used as lubricant for R410A compressor, which is different from the mineral oil used for R22 compressor. During installation or servicing, extra precaution must be taken not to expose the R410A system too long to moist air. Residual POE or PVE oil in the piping and components can absorb moisture from the air.
- To prevent mischarging, the diameter of the service port on the flare valve is different from that of R22.

- Use tools and materials exclusively for refrigerant R410A. Tools exclusively for R410A are manifold valve, charging hose, pressure gauge, gas leak detector, flare tools, torque wrench, vacuum pump and refrigerant cylinder.
- As an R410A air conditioner incurs higher pressure than R22 units, it is essential to choose the copper pipes correctly. Never use copper pipes thinner than 0.8mm even though they are available in the market.
- If the refrigerant gas leakage occurs during installation/servicing, be sure to ventilate fully. If the refrigerant gas comes into contact with fire, a poisonous gas may occur.
- When installing or removing an air conditioner, do not allow air or moisture to remain in the refrigerant cycle.

## VACUUMING AND CHARGING

Vacuuming is necessary to eliminate all moisture and air from the system.

### Vacuuming The Piping And The Indoor Unit

Except for the outdoor unit which is pre-charged with refrigerant, the indoor unit and the refrigerant connection pipes must be air-purged because the air containing moisture that remains in the refrigerant cycle may cause malfunction of the compressor.

- Remove the caps from the valve and the service port.
- Connect the center of the charging gauge to the vacuum pump.
- Connect the charging gauge to the service port of the 3-way valve.
- Start the vacuum pump. Evacuate for approximately 30 minutes. The evacuation time varies with different vacuum pump capacity. Confirm that the charging gauge needle has moved towards -760mmHg.

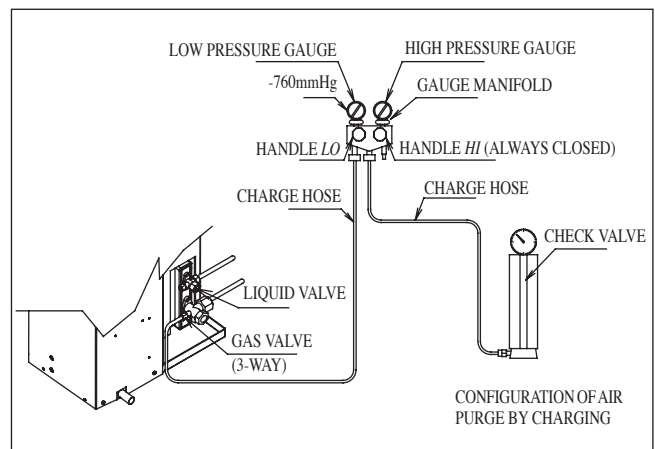
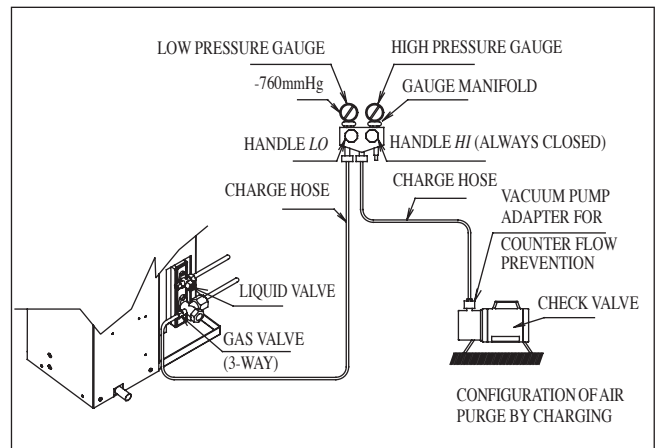
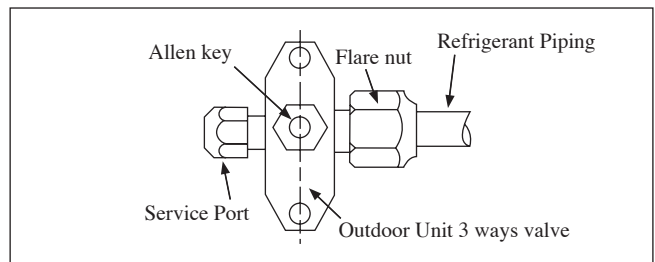
#### Caution

- If the gauge needle does not move to -760mmHg, be sure to check for leakage at flare type connection of the indoor and outdoor unit and repair the leak before proceeding to the next step.
- Close the valve of the charging gauge and stop the vacuum pump.
- On the outdoor unit, open the suction valve (3 way) and liquid valve (2 way) (in anti-clockwise direction) with 4mm key for hexagon sacked screw.

### Charge Operation

This operation must be done by using a gas cylinder and a precise weighing machine. The additional charge is topped-up into the outdoor unit using the suction valve via the service port.

- Remove the service port cap.
- Connect the low pressure side of the charging gauge to the suction service port center of the cylinder tank and close the high pressure side of the gauge. Purge the air from the service hose.
- Start the air conditioner unit.
- Open the gas cylinder and low pressure charging valve.
- When the required refrigerant quantity is pumped into the unit, close the low pressure side and the gas cylinder valve.
- Disconnect the service hose from service port. Put back the service port cap.



## ADDITIONAL CHARGE

The refrigerant is pre-charged in the outdoor unit. If the piping length is less than 7.5m, then additional charge after vacuuming is not necessary. If the piping length is more than 7.5m, then use the additional charge value as indicated in the table.

### Additional refrigerant charge [g] per additional 1m length as tabulated

<b>Indoor</b>	<b>FTXB50CV1B</b>	<b>FTXB60CV1B</b>
<b>Outdoor</b>	<b>RXB50CV1B</b>	<b>RXB60CV1B</b>
<b>Additional charge [g/m]</b>	20	20

#### Example:

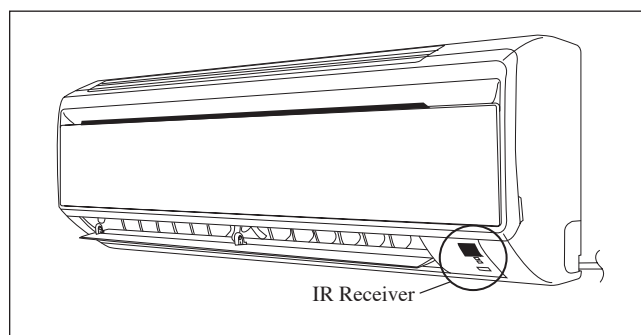
FTXB50CV1B & RXB50CV1B with 12m piping length, additional piping length is 4.5m. Thus,  
 Additional charge = 4.5[m] x 20[g/m]  
 = 90.0[g]

## INDICATOR LIGHTS

### IR Signal Receiver

When an infrared remote control operating signal has been transmitted, the signal receiver on the indoor unit will respond as below to confirm acceptance of the signal transmission.

<b>ON to OFF</b>	1 Long Beep
<b>OFF to ON</b> <b>Pump down / Cool force on</b>	2 Short Beep
<b>Others</b>	1 Short Beep



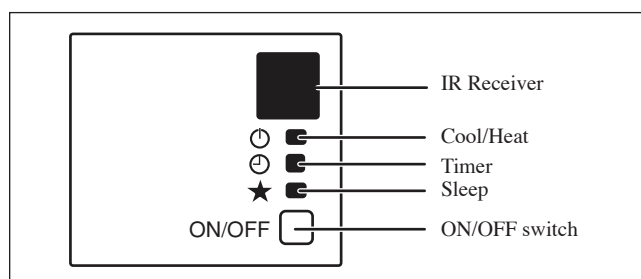
### Cooling Unit/Heat Pump Unit

The table shows the LED indicator lights for the air conditioner unit under normal operation and fault conditions.

The LED indicator lights are located at the side of the air conditioner unit.

The heat pump units are equipped with an “auto” mode sensor whereby it will provide reasonable room temperature by switching automatically to either “cool” or “heat” mode according to the temperature set by the user.

### LED Indicator Lights for Cooling Unit/Heat Pump Unit



### LED Indicator Lights: Normal Operation And Fault Conditions For Cooling/Heat Pump Unit

	 COOL/HEAT (GREEN/RED)		<b>Operation</b>
			Cool mode
			Heat mode
			Auto mode in Heating operation
			Auto mode in Cooling operation
			Timer on
			Sleep mode on
			Fan mode on
			Dry mode on
			Defrost operation
			Unit error

○ ON

● Blinking

## AIR CONDITIONER UNIT OPERATION

### Dry Mode

- When the air humidity is high, the unit can operate in dry mode. Press <MODE> button and choose <DRY>.
- If the room temperature is 2°C/3.6°F higher than the set temperature, the air conditioner will operate under cooling mode until it reaches within the 2°C/3.6°F range of difference compared to the set temperature before it converts to dry mode.
- If the room temperature is within the 2°C/3.6°F range of difference compared to the set temperature, it will directly operate under dry mode.
- The unit will operate at LOW speed under dry mode.

### Heat Mode (for heat pump unit only)

- When the unit is switched on from cold start or defrosting cycle, the indoor fan will start to operate only after the coil reaches the desired temperature.
- When the set temperature is achieved, the indoor fan will operate until the coil cannot provide anymore additional heat.

### Air Flow Control

- For more effective air circulation, you can manually adjust the air discharge grille to the left or right.
- During cool mode operation and dry mode operation, do not direct the air discharge louver downwards for too long. If operating continues in this way, condensation may occur on the louver, thus resulting in drippings.

### Fan Speed And Rated Cooling Capacity

- The rated cooling capacity is provided at the HIGH fan speed.
- The cooling capacity is lower when the unit is operating at MEDIUM and LOW fan speed.

### Notes On Flaps And Louvers Angles

- When “**SWING button**” is selected, the flaps swinging range depends on the operation mode. (See the figure.)

### ATTENTION

- Always use a remote controller to adjust the flaps angle. If you attempt to move it forcibly with hand when it is swinging, the mechanism may be broken.
- Be careful when adjusting the louvers. Inside the air outlet, a fan is rotating at a high speed.

### Overheating Protection (for heat pump unit only)

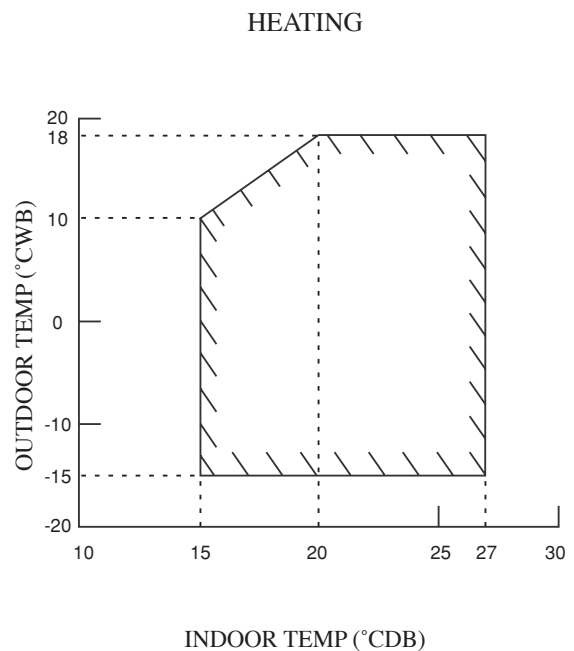
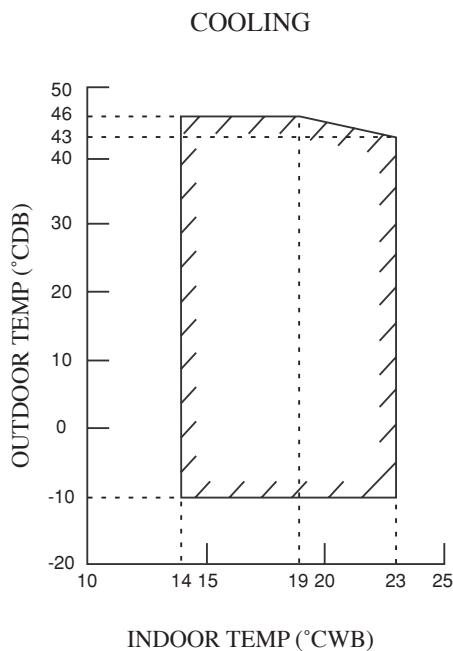
- In case the internal and/or the external temperature is too high, or that the filter is dirty and clogged up, the refrigerant may be overheated. The compressor will cut out when the condensing temperature reaches 62°C/143.6°F.

### Frost Prevention

- When the air filter is dirty, the evaporating temperature will decrease and eventually cause frosting.
- If the evaporating temperature reaches -1°C/33.8°F, the unit will trip.

## OPERATING RANGE

Model: FTXB50/60CV1B  
RXB50/60CV1B



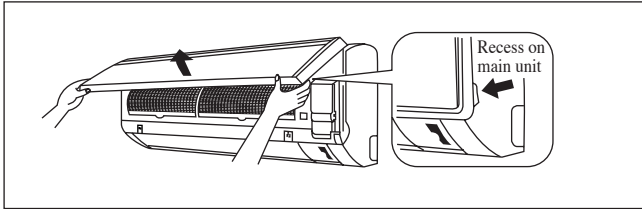
DB: Dry bulb

WB: Wet bulb

## AIR FILTER

### 1. Open the front panel.

- Hold the panel at the recesses on the main unit (2 recesses on right and left sides) and lift it until it stops.

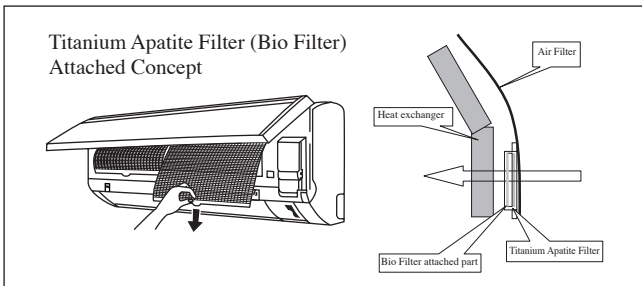


### 2. Pull out the air filters.

- Push a little upwards the tab at the center of each air filter, then pull it down.

### 3. Take off the Bio filter with bacteriostatic, virustatic functions.

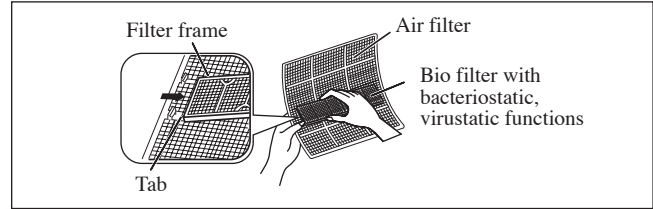
- Hold the recessed parts of the frame and unhook the four claws.



### 4. Clean or replace each filter.

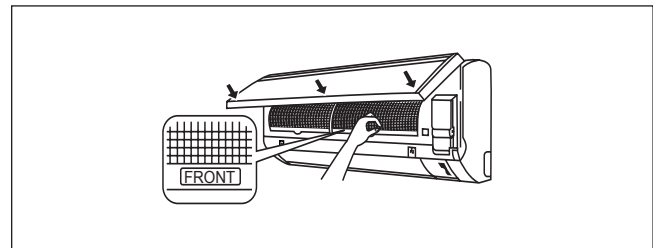
See figure.

- When shaking off remaining water, do not wring the filter.



### 5. Set the air filter and Bio filter with bacteriostatic, virustatic functions as they were and close the front panel.

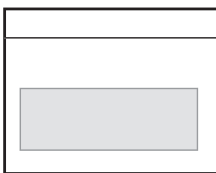
- Insert claws of the filters into slots of the front panel. Close the front panel slowly and push the panel at the 3 points. (1 on each side and 1 in the middle.)
- The air filter and Bio filter with bacteriostatic, virustatic functions have a symmetrical form in the horizontal direction.



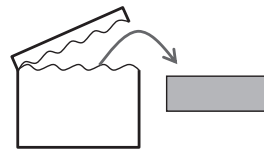
\* Bio Filter and Titanium Apatite Filter are optional accessories.

### Installation Procedure for Bio Filter

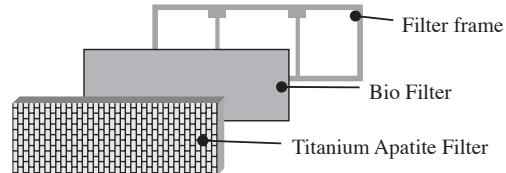
Bio Filter packs in a hermetically-sealed bag.



Take it out at the time of installation.



Slip the Filter in between Filter frame and Titanium Apatite Filter.



## ⚠ CAUTION

- Please use this Bio Filter during **dry season** such as winter.
- **Storage, handling and disposal methods.**
  - The lifetime of this Bio Filter is about a year after opening.
  - In case you do not use this Bio Filter right away, please don't place the Bio Filter in any place where it will be subjected to direct sunlight, high temperatures and/or high humidity.
  - There can be slight differences between Bio Filter color because of the manufacturing reasons, there is no effect on the unit performance.
  - Please open this bag right before you use it. Bio Filter should remain unopened and sealed in its packaging until right before usage. (It may cause performance deterioration or quality change.)
  - To avoid danger of suffocation and any unexpected accident, please dispose the plastic bag immediately after you remove the Bio Filter. Keep out of reach of babies and children.
  - If you keep this Bio Filter for a long time, please keep it unopened and store in a cool place avoiding direct sunlight.
  - Please dispose the old Bio Filter as nonflammable garbage after use.
- **Operation with dirty filters:**
  - (1) cannot deodorize the air.
  - (2) cannot clean the air.
  - (3) results in poor heating or cooling.
  - (4) may cause odour.
- To order Bio Filter, contact the service shop where you bought the air conditioner.

## SERVICE AND MAINTENANCE

**Note is valid for Turkey only: The lifetime of our products is ten (10) years**

Service Parts	Maintenance Procedures	Period
<b>Indoor air filter</b>	<ol style="list-style-type: none"> <li>1. Remove any dust adhering to the filter by using a vacuum cleaner or wash in lukewarm water (below 40°C/104°F) with a neutral cleaning detergent.</li> <li>2. Rinse the filter well and dry before placing it back onto the unit.</li> <li>3. Do not use gasoline, volatile substances or chemicals to clean the filter.</li> </ol>	<p>At least once every 2 weeks.</p> <p>More frequently if necessary.</p>
<b>Indoor unit</b>	<ol style="list-style-type: none"> <li>1. Clean any dirt or dust on the grille or panel by wiping it with a soft cloth soaked in lukewarm water (below 40°C/104°F) and a neutral detergent solution.</li> <li>2. Do not use gasoline, volatile substances or chemicals to clean the indoor unit.</li> </ol>	<p>At least once every 2 weeks.</p> <p>More frequently if necessary.</p>

### ⚠ CAUTION

- Avoid direct contact of any coil treatment cleaners on plastic part. This may cause plastic part to deform as a result of chemical reaction.

#### 1. Open the front panel.

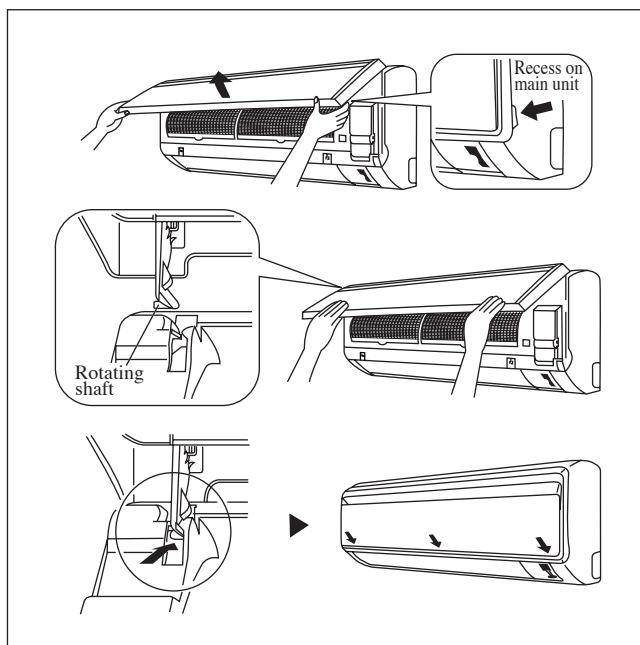
- Hold the panel at the recesses on the main unit (2 recesses on right and left sides) and lift it until it stops.

#### 2. Remove the front panel.

- While lifting the front panel further, slide it to the right and pull it to the front side. The left rotating shaft is detached. Slide the right rotating shaft to the left and pull it to the front side to remove it.

#### 3. Attach the front panel.


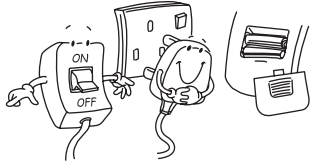
- Align the right and left rotating shafts of the front panel with the grooves and push them all the way in.
- Gently close the front panel. (Push both ends and the center on the front panel.)



## ⚠ CAUTION

- Don't touch the metal parts of the indoor unit. It may cause an injury.
- When removing or attaching the front panel, support the panel securely with hand to prevent it from falling.
- For cleaning, do not use hot water above 40°C, benzene, gasoline, thinner, nor other volatile oils, polishing compound, scrubbing brushes, nor other hand stuff.
- After cleaning, make sure that the front panel is securely fixed.

### When The Unit Is Not To Be Used For An Extended Long Period Of Time

<p>Operate the unit for 2 hours with the following setting.</p> <p>Operating mode : cool Temperature : 30°C/86°F</p>		<p>Remove the power plug. If you are using an independent electric circuit for your unit, cut off the circuit. Remove the batteries in the remote control.</p>	
--	---	--	---

## TROUBLESHOOTING

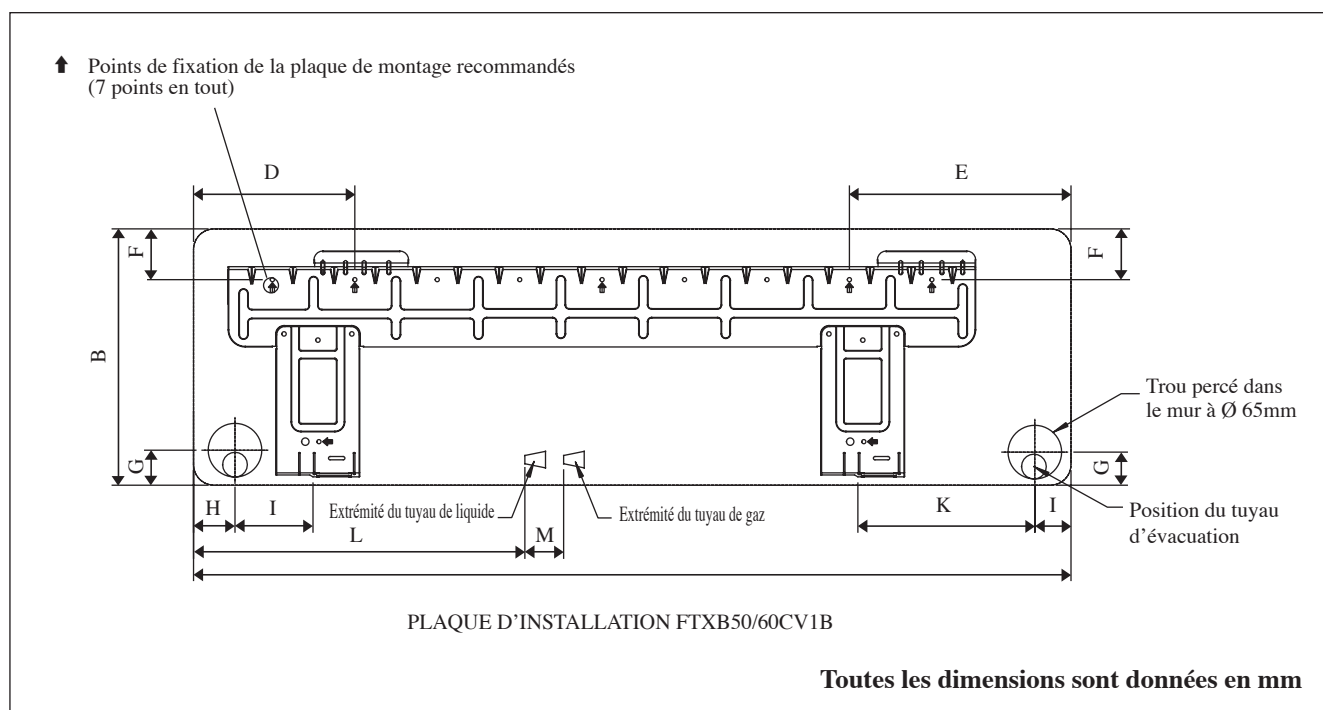
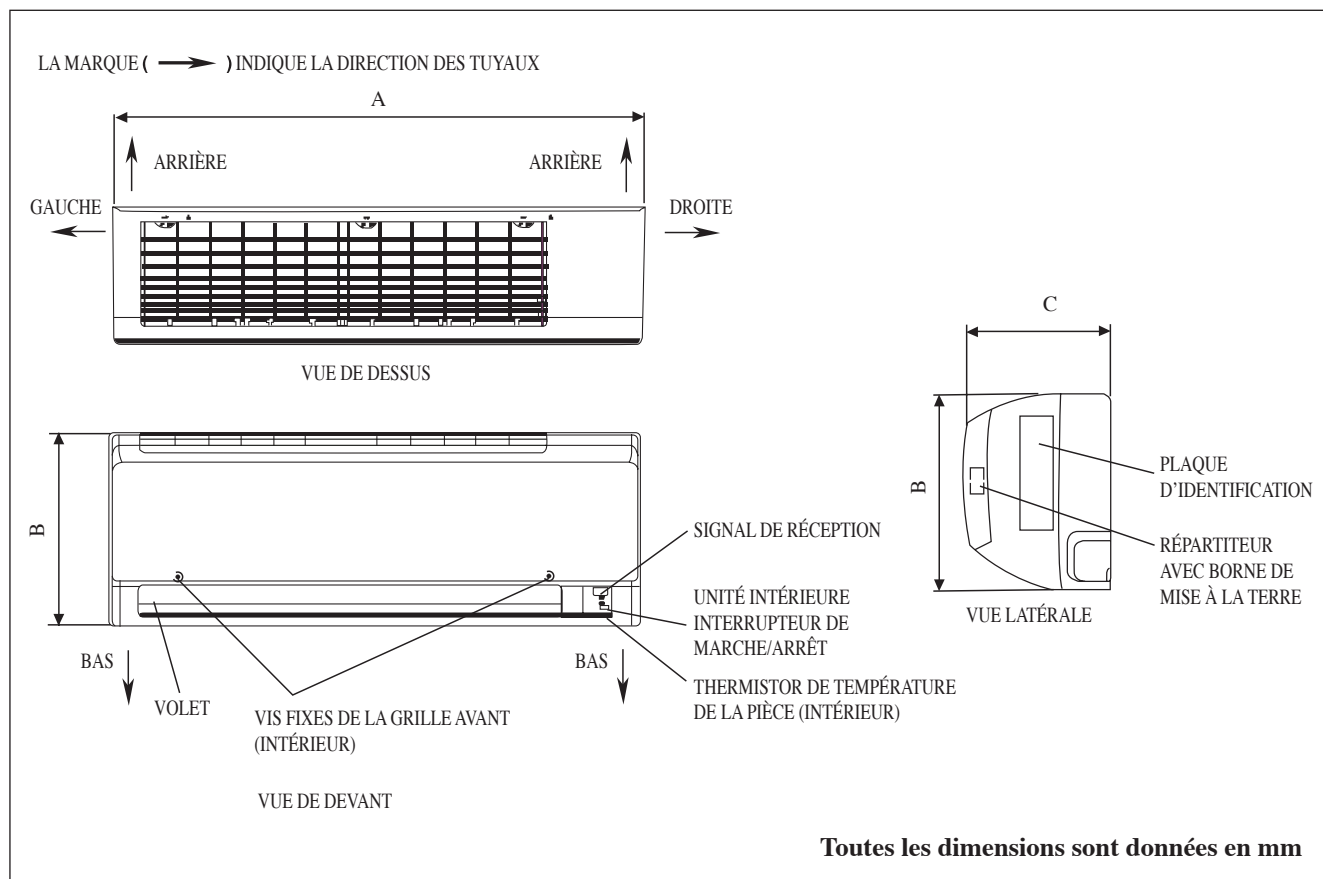
**For any enquiries on spare part, please contact your authorized dealer. When any malfunction of the air conditioner unit is noted, immediately switch off the power supply to the unit. Check the following fault conditions and causes for some simple troubleshooting tips.**

Fault	Causes / Action
1. The compressor does not operate 3 minutes after the air conditioner unit is started.	– Protection against frequent starting. Wait for 3 to 4 minutes for the compressor to start operating.
2. The air conditioner unit does not operate.	<ul style="list-style-type: none"> <li>– Power failure, or the fuse needs to be replaced.</li> <li>– The power plug is disconnected.</li> <li>– It is possible that your delay timer has been set incorrectly.</li> <li>– If the fault persist after all these verifications, please contact the air conditioner unit installer.</li> </ul>
3. The air flow is too low.	<ul style="list-style-type: none"> <li>– The air filter is dirty.</li> <li>– The doors or windows are open.</li> <li>– The air suction and discharge are clogged.</li> <li>– The regulated temperature is not high enough.</li> </ul>
4. Discharge air flow has bad odour.	– Odours may be caused by cigarettes, smoke particles, perfume etc. which might have adhered onto the coil.
5. Condensation on the front air grille of the indoor unit.	<ul style="list-style-type: none"> <li>– This is caused by air humidity after an extended long period of operation.</li> <li>– The set temperature is too low, increase the temperature setting and operate the unit at high fan speed.</li> </ul>
6. Water flowing out from the air conditioner unit.	– Switch off unit and call dealer.

**If the fault persists, please call your local dealer / serviceman.**

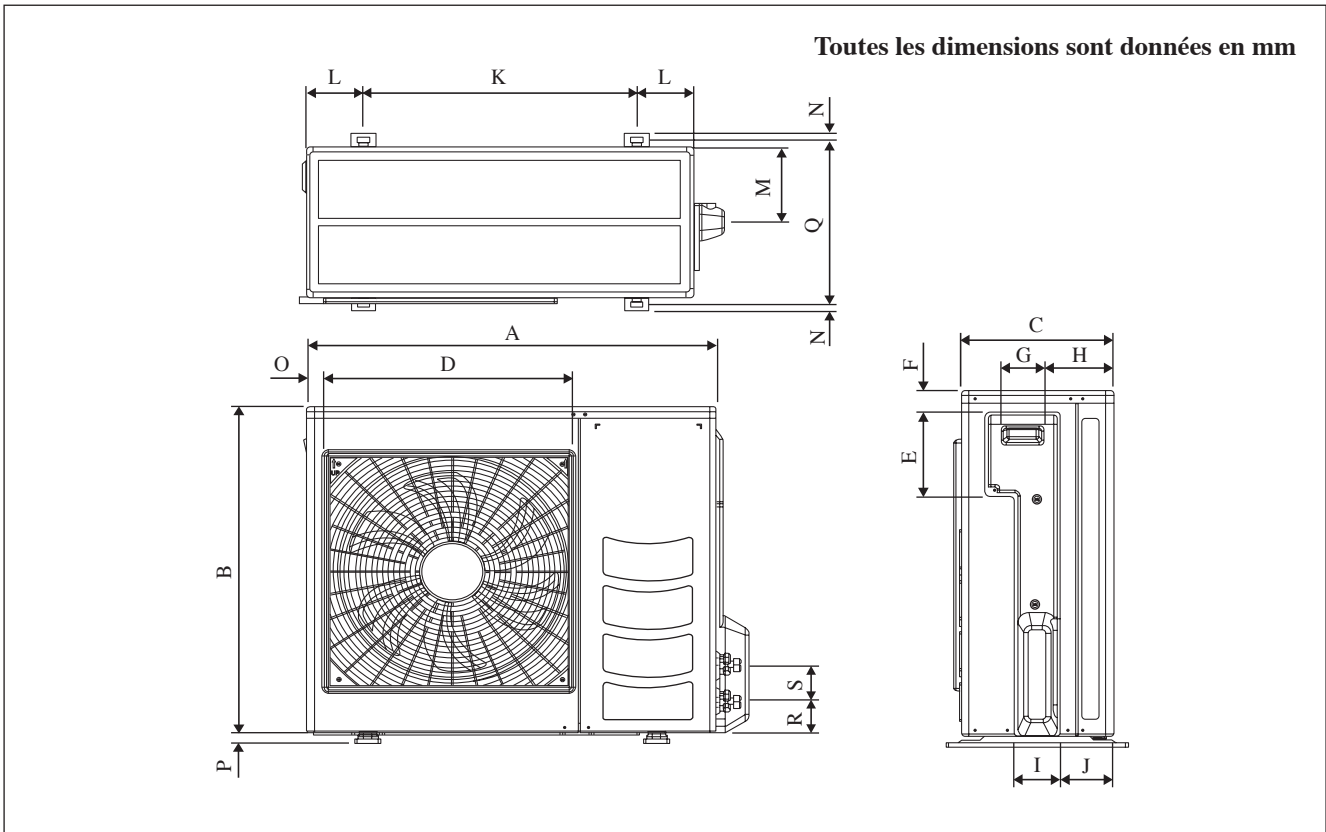
## CONTOUR ET DIMENSIONS

### Unité Intérieure



Dimension Modèle	A	B	C	D	E	F	G	H	I	J	K	L	M
<b>FTXB50/60CV1B</b>	1065	310	228	190	173	61	40	45	48	91	219	580	45

# Unité Extérieure RXB50/60CV1B



Dimension / Modèle	A	B	C	D	E	F	G	H	I	J	K	L	M	N
<b>RXB50/60CV1B</b>	855	730	328	520	179	46	93	149	101	113	603	126	164	15

Dimension / Modèle	O	P	Q	R	S
<b>RXB50/60CV1B</b>	34	23	362	73	75



# MANUEL D'INSTALLATION

Ce manuel fournit les procédures d'installation pour assurer le bon fonctionnement et la sécurité de cet appareil.

Des ajustements peuvent être nécessaires pour suivre les réglementations locales.

Avant d'installer et de faire fonctionner le climatiseur, lisez attentivement ce manuel et conservez-le.

Cet appareil est destiné à être utilisé par des utilisateurs experts ou formés dans les magasins, dans l'industrie légère ou dans les fermes, ou pour un usage commercial par des personnes non spécialisées.

Cet appareil n'est pas destiné à être utilisé par des personnes, y compris les enfants, souffrant de capacités physiques, sensorielles ou mentales réduites, ou accusant un manque d'expérience et de connaissances, sauf si elles sont supervisées ou ont reçu des instructions concernant l'emploi de cet appareil d'une personne responsable de leur sécurité.

Les enfants doivent être supervisés pour s'assurer qu'ils ne jouent pas avec l'appareil.





## PRÉCAUTIONS DE SÉCURITÉ

### ⚠ ATTENTION

- L'installation et la maintenance doivent être exécutées par une personne qualifiée qui est familiarisée avec les lois et réglementations en vigueur, et aussi expérimentée dans ce type d'équipements.
- Tous les câblages doivent répondre aux réglementations électriques nationales.
- Avant de commencer le raccordement suivant le schéma électrique, s'assurer que la tension nominale de l'appareil correspond bien à celle indiquée sur la plaque signalétique.
- L'unité doit être raccordée à la TERRE pour prévenir tous les risques possibles dus à un défaut d'isolation.
- Aucun câble électrique ne doit toucher la tuyauterie du réfrigérant, le compresseur ou les pièces mobiles des moteurs de ventilation.
- Avant l'installation ou l'entretien du climatiseur, s'assurer que l'appareil est éteint (OFF).
- Débrancher l'appareil du circuit d'alimentation secteur avant de procéder à l'entretien du climatiseur.
- NE PAS retirer le câble d'alimentation électrique de la prise quand l'appareil est sous branché. Il peut en résulter des décharges électriques importantes susceptibles de provoquer un incendie.
- Les unités intérieures et extérieures, le cordon d'alimentation et le câblage de transmission doivent rester à une distance d'au moins 1m des téléviseurs et des radios, ce afin d'éviter les images déformées et les parasites. {En fonction du type et de la source des ondes électriques, des parasites peuvent être entendus même avec une distance supérieure à 1m}.

### ⚠ AVERTISSEMENT

Vérifier les points suivants au cours de l'installation.

- **Ne pas installer l'appareil où il peut se produire des fuites de gaz inflammable.**  
 En cas de fuite et accumulation de gaz autour de l'appareil, il y a risque d'incendie.
- **S'assurer que le tuyau d'évacuation du condensat est correctement branché.**  
 Si le tuyau d'évacuation n'est pas correctement branché, les éventuelles fuites d'eau risquent de mouiller le mobilier.
- **Ne pas surcharger l'unité (en fluide frigorigène).**  
 Cet appareil est préchargé en usine. Une charge trop importante risque de provoquer une surcharge électrique ou d'endommager le compresseur.
- **S'assurer que le panneau supérieur de l'appareil est remis en place après l'installation ou l'entretien.**  
 Avec un panneau mal fixé l'appareil va fonctionner bruyamment.
- **Les bords coupants et les surfaces du refroidisseur tubulaire présentent un risque de blessure. Mieux vaut éviter le contact avec ces endroits.**
- **Avant de couper l'alimentation électrique, veiller à ce que l'interrupteur ON/OFF de la télécommande soit en position « OFF » afin d'éviter une mise en marche intempestive de l'appareil.** Si l'interrupteur de la télécommande n'est pas en position « OFF », les ventilateurs de l'appareil se mettront en marche dès que l'alimentation électrique est rétablie. Il peut en résulter un danger pour le personnel d'entretien ou l'utilisateur.
- **Ne pas installer les appareils à proximité ou près d'un passage de porte.**
- **Ne pas utiliser un appareil de chauffage trop près d'une unité de climatisation ou l'utiliser dans une pièce où, de l'huile minérale ou de la vapeur d'huile existent, cela peut faire fondre ou se déformer les pièces en plastique en raison de la chaleur excessive ou de réaction chimique.**
- **Lorsque l'appareil est utilisé dans la cuisine, le garder loin de la farine qui peut aller dans d'aspiration de l'appareil.**
- **Cet appareil n'est pas approprié pour une utilisation en usine lorsqu'un brouillard d'huile de coupe ou de la poudre de fer existe ou bien quand la tension fluctue grandement.**
- **Ne pas installer les unités à des endroits comme une source d'eau chaude ou une raffinerie de pétrole où des gaz sulfureux existent.**
- **S'assurer que la couleur des câbles de l'unité extérieure et les marquages de bornes sont identiques à ceux de l'unité intérieure.**
- **IMPORTANT : NE PAS INSTALLER OU UTILISER LE CLIMATISEUR DANS UNE BUANDERIE.**
- **N'utilisez pas de câbles joints et torsadés pour l'alimentation électrique entrante.**
- **L'équipement n'est pas destiné à être utilisé dans une atmosphère potentiellement explosive.**

## AVIS

### Instructions d'élimination

Cet appareil de conditionnement d'air porte le symbole ci-joint. Ce symbole signifie que les appareils électriques et électroniques doivent être éliminés séparément des ordures ménagères non triées.

N'essayez pas de démonter vous-même l'appareil : le démontage de l'appareil de conditionnement d'air ainsi que le traitement du réfrigérant, de l'huile et d'autres composants doivent être effectués par un installateur qualifié, en accord avec les réglementations locales et nationales en vigueur.

Les appareils de conditionnement d'air doivent être traités dans des installations spécialisées de dépannage, réutilisation ou recyclage. En vous assurant que cet appareil est éliminé correctement, vous contribuez à éviter les conséquences potentiellement néfastes sur l'environnement et la santé. Veuillez contacter votre installateur ou les autorités locales pour plus d'information.

Les piles de la télécommande doivent être enlevées et éliminées séparément, conformément aux réglementations locales et nationales en vigueur.



## IMPORTANT

### Information importante relative au réfrigérant utilisé

Ce produit contient des gaz fluorés.

Ne pas laisser les gaz s'échapper dans l'atmosphère.

Type de réfrigérant: R410A

Valeur GWP <sup>(1)</sup> : 2087,5

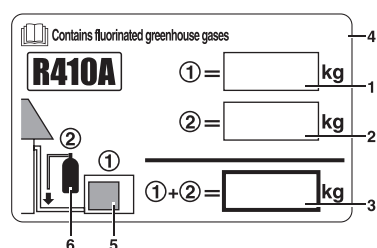
<sup>(1)</sup> GWP = Potentiel De Réchauffement Global

Prière de compléter à l'encre indélébile,

- ① la charge de réfrigérant d'usine du produit,
- ② la quantité de réfrigérant supplémentaire chargée sur place et
- ① + ② la charge de réfrigérant totale

sur l'étiquette de charge de réfrigérant fournie avec le produit.

L'étiquette complétée doit être apposée à proximité de l'orifice de recharge du produit (par ex. à l'intérieur du couvercle d'entretien).



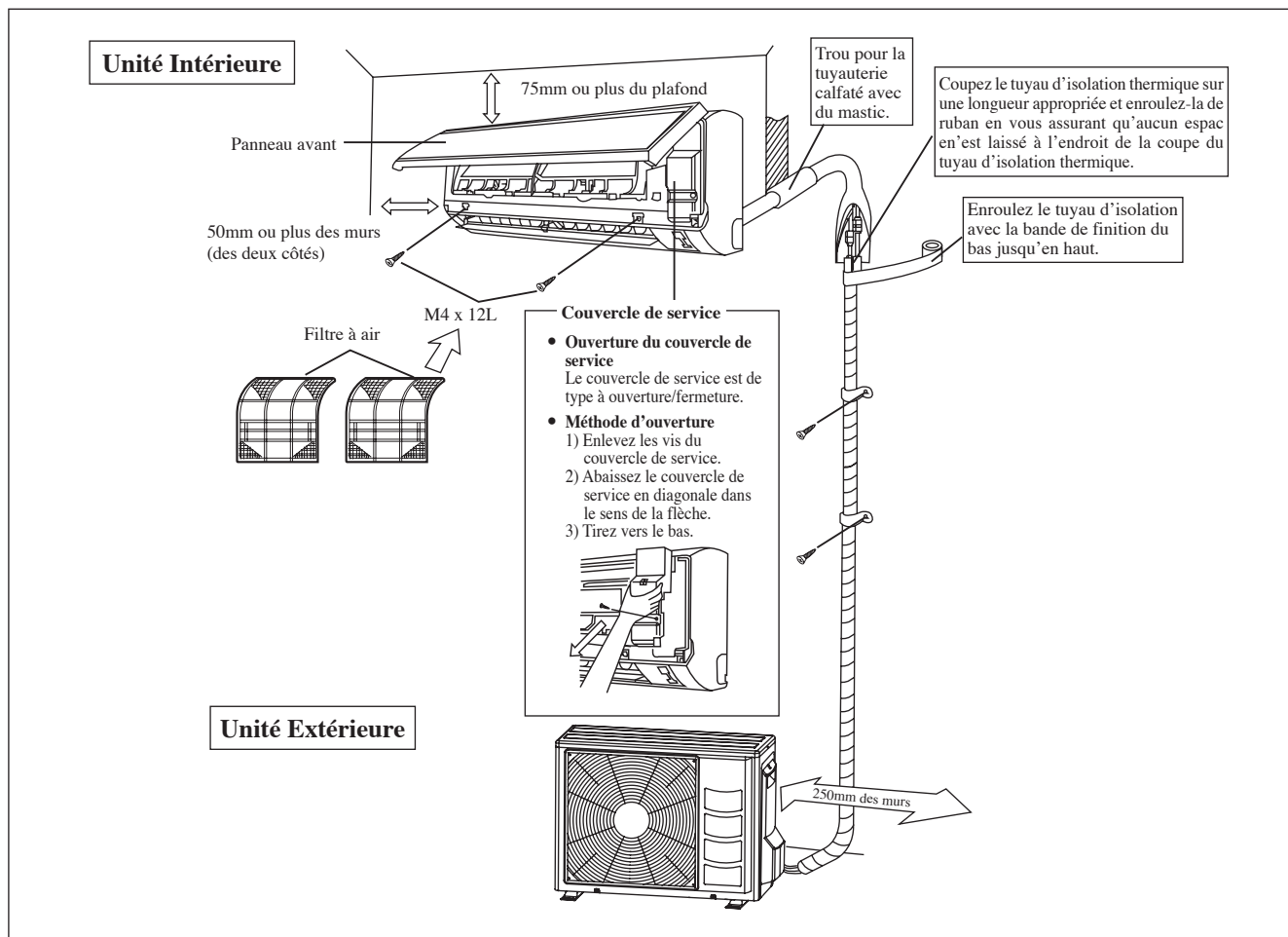
- 1 charge de réfrigérant d'usine du produit : voir plaquette signalétique de l'unité <sup>(2)</sup>
- 2 quantité de réfrigérant supplémentaire chargée sur place
- 3 charge de réfrigérant totale
- 4 contient effet de serre fluorés
- 5 Unité extérieure
- 6 cylindre de réfrigérant et collecteur de recharge

<sup>(2)</sup> Dans le cas de multiples systèmes intérieurs, seule 1 étiquette doit être apposée\*, mentionnant la charge de réfrigérant d'usine totale de toutes les unités intérieures raccordées au système de réfrigérant.

Des inspections périodiques de fuites de réfrigérant peuvent être exigées en fonction de la législation européenne ou locale. Veuillez contacter votre distributeur local pour plus d'informations.

\* sur l'unité extérieure

## DIAGRAMME D'INSTALLATION



Français

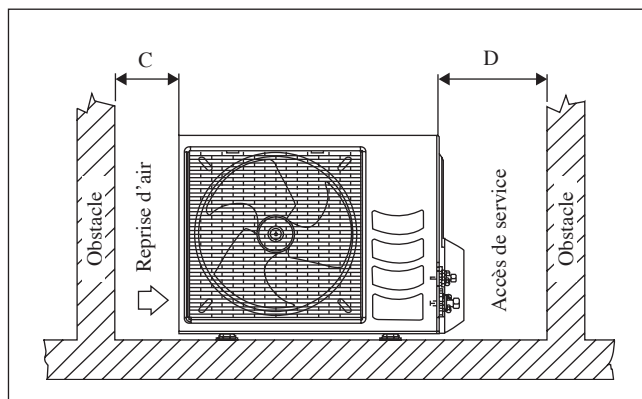
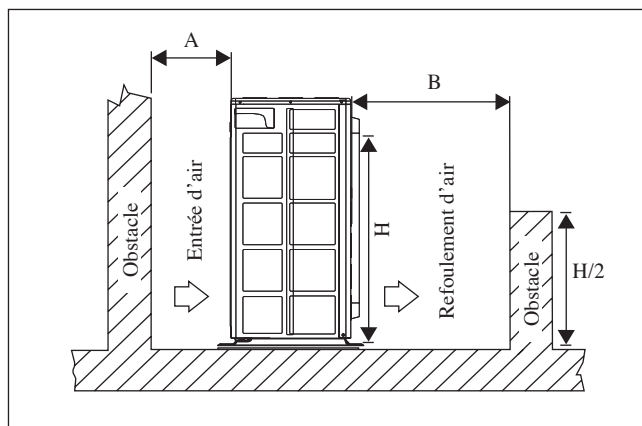
## INSTALLATION DE L'UNITÉ EXTÉRIÈRE

L'unité extérieure doit être installée de manière à ce qu'il n'y ait pas de reprise d'air chaud ou d'obstruction au débit régulier d'air. Veuillez respecter l'écartement d'installation illustré sur le diagramme. Choisir l'emplacement le plus frais possible, où l'admission d'air ne soit pas plus élevée que la température de l'air extérieur (se reporter à la page de fonctionnement).

### Dégagements minimum

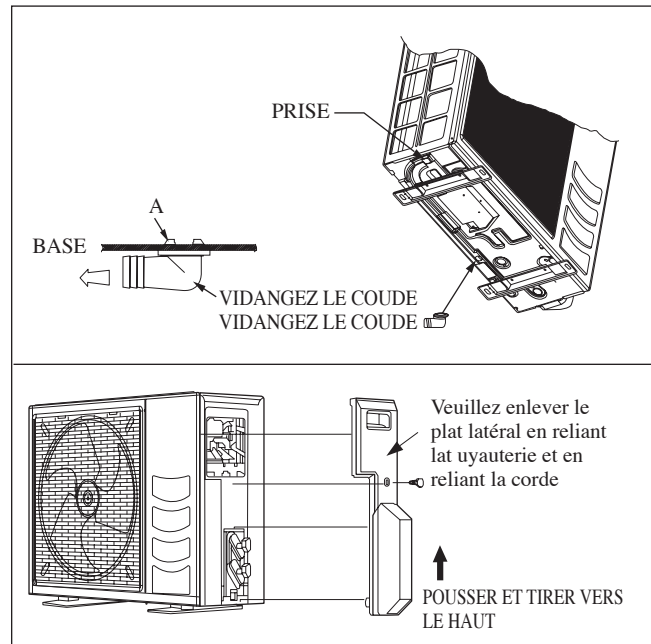
Dimension	A	B	C	D
Distance Minimume, mm	300	1000	300	500

**Remarque :** En cas d'obstacles de part et d'autre de l'unité d'une hauteur supérieure à 2 mètres ou toute obstruction d'air sur le dessus de l'unité, augmenter sensiblement les dégagements minimum prévus.



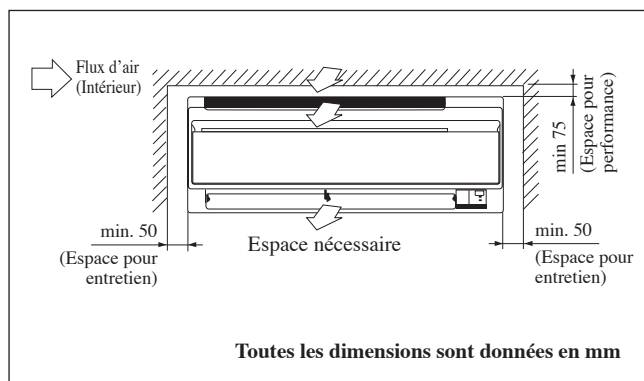
## Disposition Condensée De L'eau D'unité Extérieure (Unité De Pompe À Chaleur Seulement)

- Il y a 2 trous sur la base de l'unité extérieure pour que l'eau condensée sorte. Insérez le coude de drain à un des trous.
- Pour installer le coude de drain, première insertion une partie du crochet sur la base (partie A), tirer alors le coude de drain dans la direction montrée par la flèche tout en insérant l'autre partie à la base. Après installation, contrôle pour s'assurer que le coude de drain s'accroche à la base fermement.
- Si l'unité est installée dans un neigeux et chily un secteur, l'eau condensée peut geler dans la base. Dans un tel cas, enlevez svp la prise au fond de l'unité pour lisser le drainage.



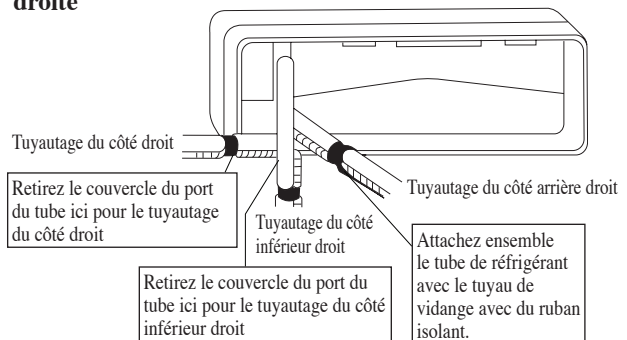
## INSTALLATION DE L'UNITÉ INTÉRIURE

Installer l'unité intérieure de traitement d'air de façon à ce qu'il n'y ait aucun obstacle sur la circulation de l'air (risque de recyclage de l'air refroidi au refoulement de l'unité et l'air à l'entrée). Veuillez respecter l'écartement d'installation illustré sur le diagramme. Ne pas exposer l'unité intérieure à l'influence directe de l'éclairage. L'emplacement de l'unité, doit permettre une évacuation aisée des condensats, et permettre une évacuation aisée des condensats, et doit être suffisamment loin des portes.

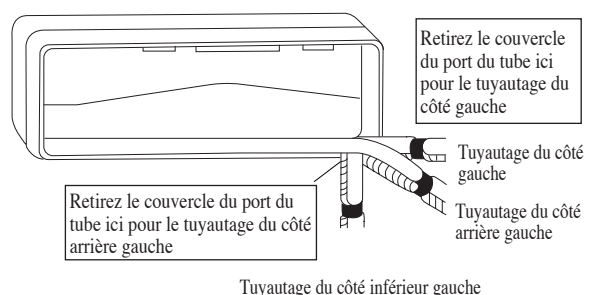


La tuyauterie de réfrigérant peut être dirigée vers l'appareil de plusieurs façons (sur la gauche ou la droite, depuis l'arrière de l'appareil), par le biais des orifices défonçables situés sur l'enveloppe de l'appareil. Cintrer les tuyaux avec précaution afin de les aligner avec les orifices. Pour les sorties latérale et inférieure, maintenir le bas de la tuyauterie et la positionner dans la bonne direction. Le flexible d'évacuation des condensats peut être fixé aux tuyaux.

### Tuyauterie sur le côté droit, à l'arrière droite ou en bas à droite



### Tuyauterie sur le côté gauche, à l'arrière gauche ou en bas à gauche

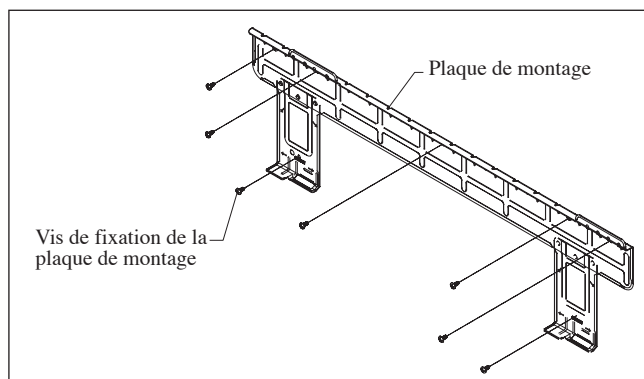


### Montage De La Platine Support

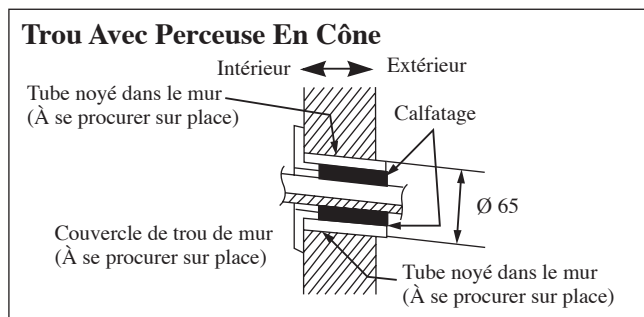
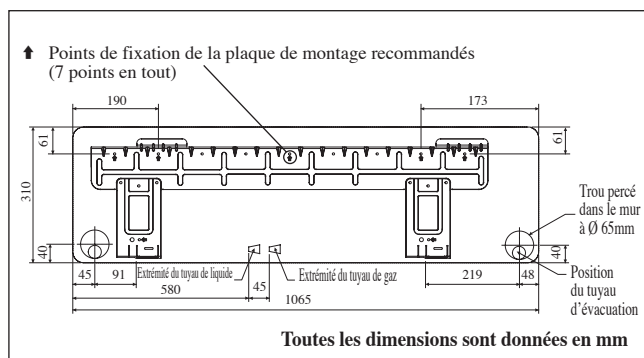
S'assurer que le mur de support soit suffisamment résistant, pour supporter le poids de l'unité et éviter toutes vibrations. Selon la composition du mur, utiliser des vis chevilles appropriées pour la fixation de la platine support.

Utilisez l'indicateur de niveau pour le montage horizontal, et fixez-le avec 7 vis adaptées pour FTXB50/60CV1B.

Dans le cas de sortie arrière des tuyauteries, percer le trou Ø 65mm pour les canalisations à l'aide d'une scie cloche. Le trou aura une légère pente vers l'unité extérieure (voir figure).



### Point De Retenue Et Dimensions Recommandés Pour La Platine De Montage



### Mise En Place De L'unité De La Platine Support

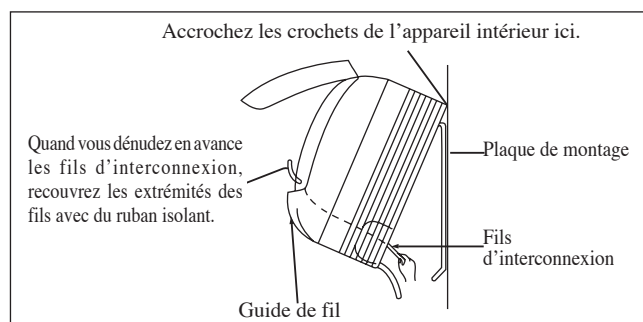
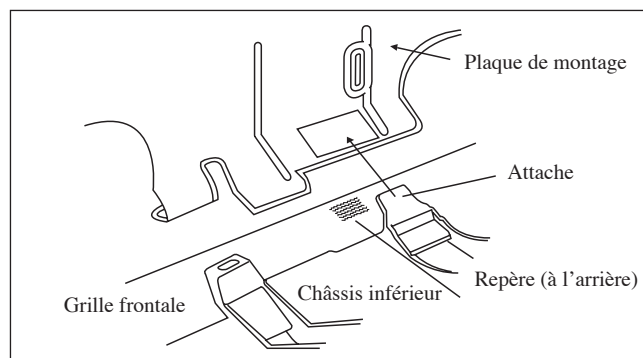
Positionner dans un premier temps l'unité intérieure sur la languette d'accrochage supérieure de support. Pour vous assurer que les crochets sont correctement installés sur la plaque d'installation, essayez de les faire légèrement bouger de gauche à droite.

#### Comment Fixer L'unité Interne

Accrochez les griffes de la structure inférieure à la plaque de montage.

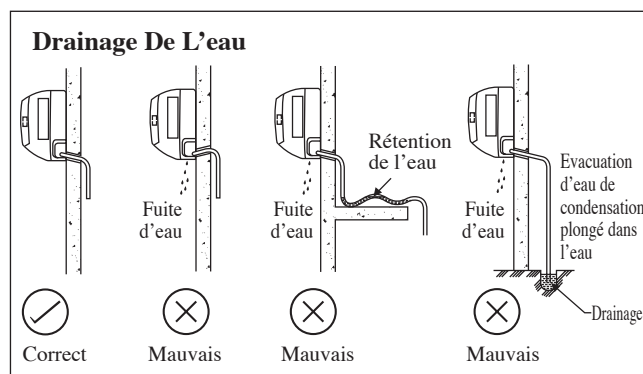
#### Comment Démonter L'unité Interne

Soulevez la zone marquée d'un repère (au bas de la grille avant) pour libérer les griffes.



### Évacuation Des Condensats

Le tube d'évacuation des condensats de l'unité devra être, dans la mesure du possible, dirigé vers la sortie arrière des tuyauteries à travers le mur de support. Évitez les situations susceptibles de causer une fuite d'eau.



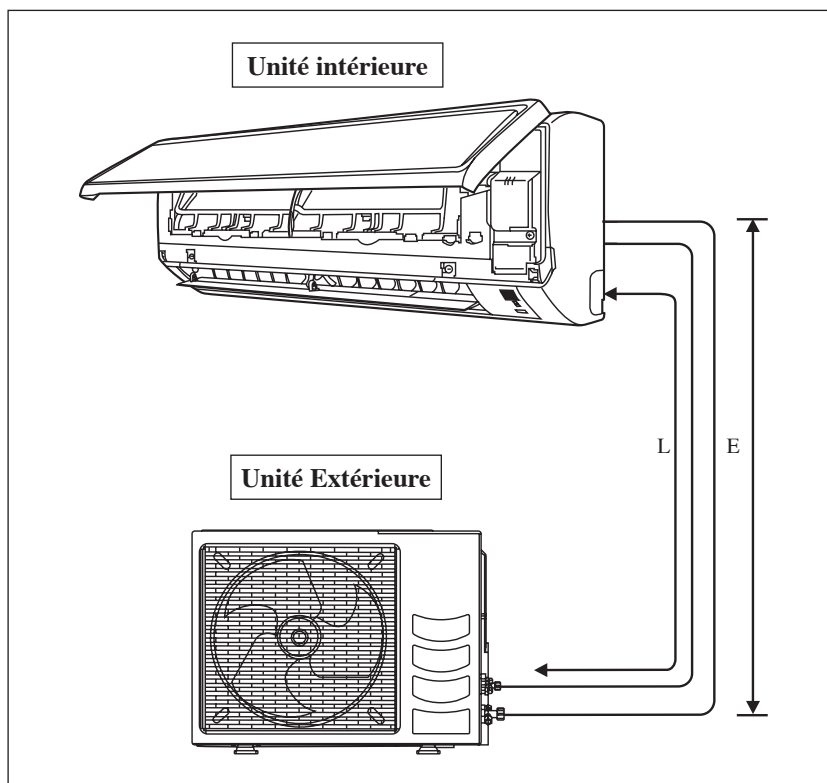
**⚠ AVERTISSEMENT**

- N'installez pas l'unité, intérieure comme extérieure, à une altitude supérieure à 2000m.

## RACCORDEMENTS DES TUYAUTERIES

### Longueur admissible de tuyauterie

Une tuyauterie trop longue va diminuer à la fois la performance et la fiabilité de l'appareil. Plus le nombre d'angles est grand, plus le système de réfrigérant résiste au flux, ce qui affaiblit la capacité de refroidissement. En conséquence, le compresseur peut connaître des défauts. Choisissez toujours le chemin le plus court et suivez les recommandations données dans le tableau ci-dessous:





Modèle	FTXB50CV1B	FTXB60CV1B
Longueur minimum admissible (L), m		3
Longueur maximale autorisée (L), m		30
Élévation Admise Max (E), m		10
Racc. Tube Aspiration, mm / (pouces)	12,70 (1/2")	15,88 (5/8")
Racc. Tube Liquide, mm / (pouces)		6,35 (1/4")

\* Assurez-vous d'ajouter la quantité correcte de réfrigérant additionnel. Sinon, cela pourrait conduire à une réduction de performance

**Remarque :** La charge complète de gaz se trouve dans l'unité extérieure jusqu'à une longueur nominale de 7,5 mètres aucun complément en réfrigérant n'est nécessaire.

### Longueur équivalente pour le montage différents (mètre)

Tuyau	L conjointe 	Virage piège 
3/8" (OD9,52mm)	0,18	1,3
1/2" (OD12,7mm)	0,20	1,5
5/8" (OD15,9mm)	0,25	2
3/4" (OD19,1mm)	0,35	2,4
7/8" (OD22,2mm)	0,40	3
1" (OD25,4mm)	0,45	3,4
1 1/8" (OD28,6mm)	0,50	3,7
1 3/8" (OD34,9mm)	0,60	4,4

Remarques :

1. Longueur de tuyauterie équivalente est obtenue avec la longueur réelle de tuyauterie de gaz.

2. 90° coude de la tuyauterie est équivalent à L joint.

Les coudes doivent être réalisés avec soin afin de ne pas écraser le tuyau. Utilisez un cintreuse de plier un tuyau lorsque cela est possible.

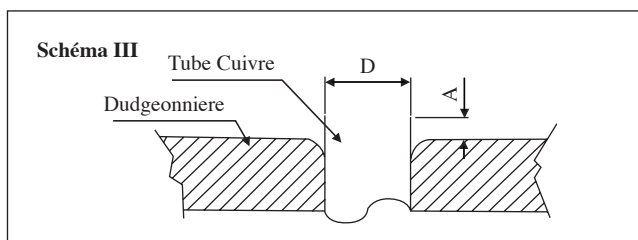
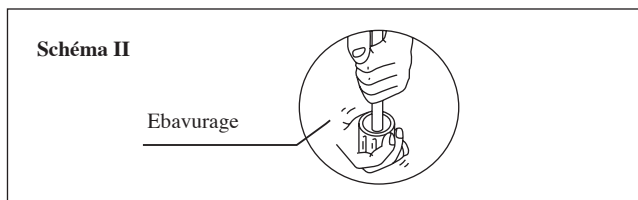
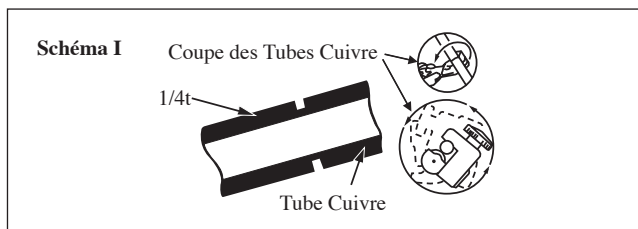
## Travail Des Tuyauteries Et Technique Flare

- Ne pas utiliser de tuyauteries en cuivre encrassé ou endommagé. Si de la tuyauterie, un évaporateur ou un condensateur a été exposé ou a été ouvert pendant 15 secondes, passer le système à l'aspirateur. En règle générale ne pas retirer le plastique, les bouchons en caoutchouc et les écrous en laiton des vannes, raccords, tuyaux et bobines jusqu'à ce que cela soit prêt de raccorder le conduit d'aspiration ou de liquide dans les vannes ou les raccords.
- Si l'on doit effectuer un travail de soudage, s'assurer que l'azote passe par les serpentins et les joints durant le travail du soudage. Cela permettra d'éliminer la formation de suie sur la paroi interne des tubes en cuivre.
- Couper le tuyau étape par étape, avancer la lame du coupe-tube lentement. Une coupe profonde et forcée va déformer le tube davantage et ainsi causer plus de bavures. Voir Schéma I.
- Ebarber les bords coupés des tubes à l'aide d'un alésoir. Voir Schéma II. Tenir le tuyau en haut et l'ébarbeur à une position plus basse pour éviter que des morceaux de métal n'entrent dans le tuyau. Pour éviter toutes irrégularités sur les faces évasées, qui risqueraient de causer des fuites de gaz.
- Relier les écrous 'flare' montés sur les connexions des unités intérieure et extérieure aux tubes de cuivre.
- La longueur exacte de tube dépassant de la dudgonnière dépend du type de dudgonnière utilisé. Voir Schéma III.
- Placer le tube fermement dans la dudgonnière. Aligner les centres des deux blocs d'emboutissage et poinçonnage, et puis serrez le poinçon au maximum.

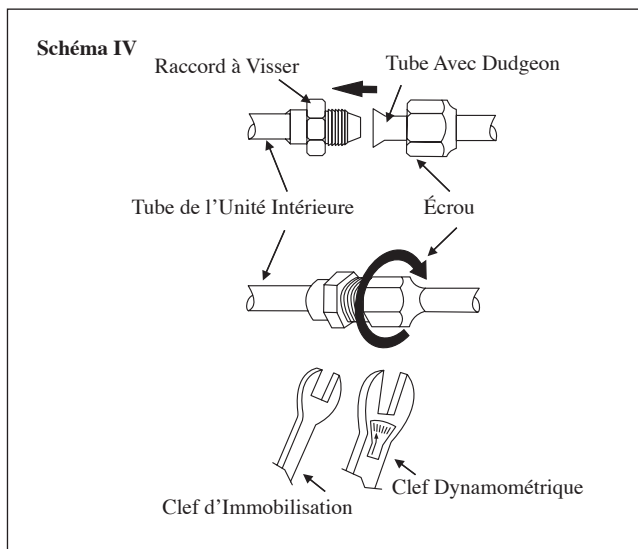
## Raccordement de la tuyauterie aux unités

- Aligner le centre de la tuyauterie et serrer assez fort le raccord conique à la main. Voir Schéma IV.
- Enfin, serrer l'écrou à l'aide d'une clef dynamométrique jusqu'au clic.
- En serrant l'écrou avec la clef dynamométrique, veiller à respecter le sens de la flèche indiqué sur la clef.
- Le raccordement du tuyau de réfrigérant doit être isolé par du polyuréthane à cellules fermées.

Tuyau, mm (pouce)	Couple, Nm / (ft-lb)
6,35 (1/4")	18 (13,3)
12,70 (1/2")	55 (40,6)
15,88 (5/8")	65 (48,0)



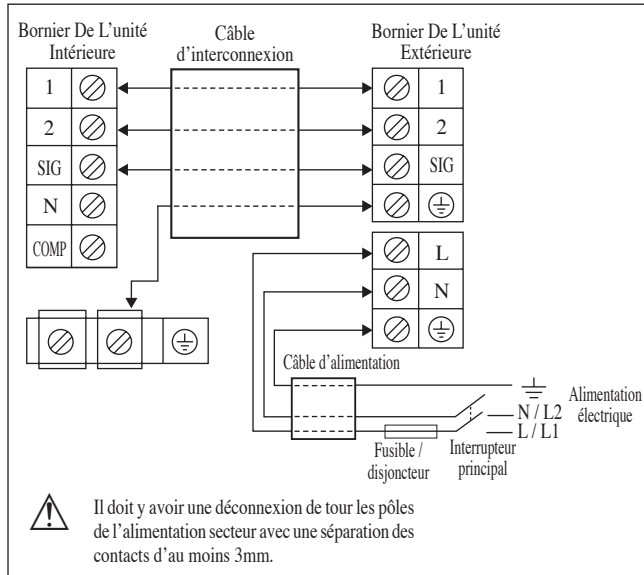
Ø Tube, D		A (mm)	
Pouce	mm	Impérial (Type d'écrou à oreilles)	Normal (Type d'embrayage)
1/4"	6,35	1,30	0,70
1/2"	12,70	1,90	1,30
5/8"	15,88	2,20	1,70



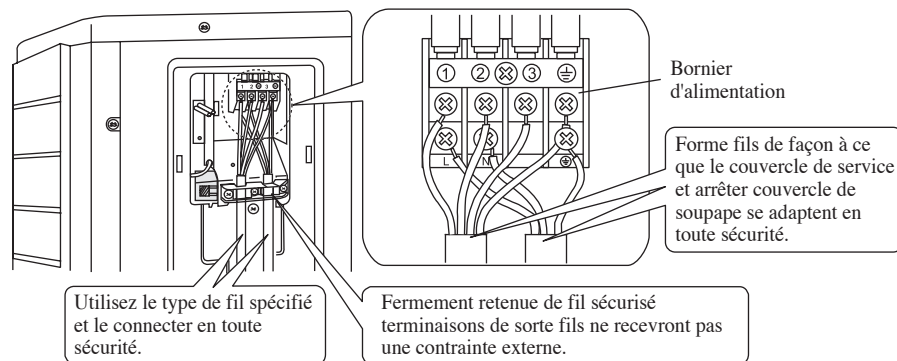


## RACCORDEMENT ÉLECTRIQUE

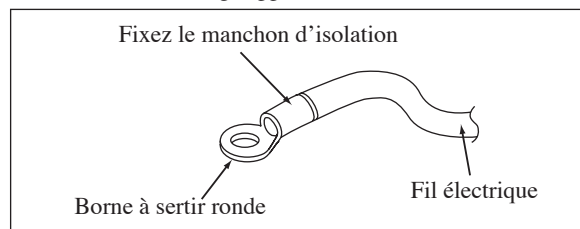
- IMPORTANT :** \* Les valeurs ci-dessus ne sont données qu'à titre indicatif. Elles doivent, par conséquent, être vérifiées et choisies de façon à répondre aux lois et aux réglementations en vigueur dans le pays concerné. Elles sont en plus fonction du type d'installation et des conducteurs utilisés.
- \*\* Le voltage adéquat doit être vérifié avec les données de l'étiquette sur l'appareil.



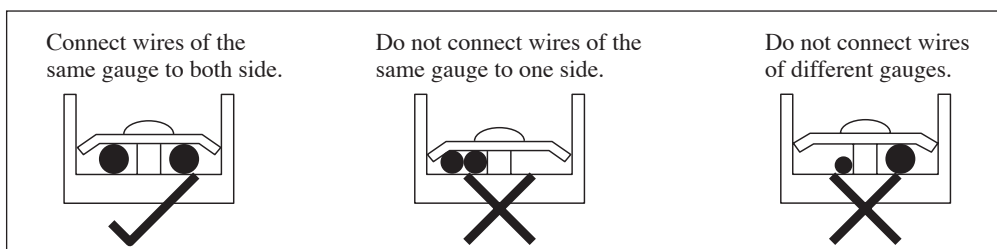
Modèle	FTXB50/60CV1B RXB50/60CV1B	
Tension d'alimentation**	220-240V/~50Hz + ⊕	
Section du câble d'alim*	mm <sup>2</sup>	2,5
Nombre de conducteurs		3
Section du câble de liaison*	mm <sup>2</sup>	2,5
Nombre de conducteurs		4
Fusible/circuit recommandé note du disjoncteur	A	20



- Tous les fils doivent être fermement connectés.
- Aucun fil électrique ne doit toucher ni la tuyauterie du réfrigérant, ni le compresseur, ni les pièces mobiles du moteur de ventilation.
- Le câble de raccordement entre l'unité intérieure et l'unité extérieure doit être fixé à l'aide du collier fourni.
- Le cordon électrique doit être équivalent à H07RN-F au minimum.
- Les connecteurs et les câbles du répartiteur ne doivent subir aucune pression externe.
- Tous les couvercles doivent être correctement fixés pour éviter tout vide.
- Utilisez des bornes à sertir rondes pour la connexion des fils au bloc d'alimentation. Connectez les fils en les faisant correspondre aux indications du bornier. (Référez-vous au schéma de câblage apposé sur l'unité).



- Utilisez le bon tournevis pour serrer les vis du répartiteur. Utiliser un tournevis non adapté peut endommager la tête de la vis.
- Ne pas trop serrer sous peine d'endommager la vis de bornes.
- Ne connectez pas de fils de sections différentes au même répartiteur.
- Réalisez le câblage de façon ordonnée. Le câblage ne doit pas obstruer les autres pièces ni le couvercle du boîtier du répartiteur.





## PRÉCAUTIONS SPÉCIALES EN TRAITANT L'UNITÉ DE R410A

R410A est un nouveau réfrigérant de HFC qui n'endommage pas la couche d'ozone. La pression de travail de ce nouveau réfrigérant est 1,6 fois supérieure à celle d'un réfrigérant conventionnel (R22), une installation appropriée et un bon entretien sont donc essentiels.

- Jamais réfrigérant de l'utilisation autre que R410A dans un climatiseur qui est conçu pour fonctionner avec R410A.
- De l'huile POE ou PVE est employée comme lubrifiant pour le compresseur de R410A, qui est différente de l'huile minérale utilisée pour le compresseur R22. Pendant l'installation ou l'entretien, des précautions supplémentaires doivent être prises pour ne pas exposer le système de R410A trop long à l'air moite. L'huile résiduelle de POE ou de PVE dans la tuyauterie et les composants peuvent absorber l'humidité de l'air.
- Pour empêcher mischarging, le diamètre du port de service sur la valve de fusée est différent de celui de R22.

- Employez les outils et les matériaux exclusivement pour le réfrigérant R410A. Les outils exclusivement pour R410A sont valve diverse, tuyau de remplissage, indicateur de pression, détecteur de fuite de gaz, outils de fusée, clé dynamométrique, pompe de vide et cylindre de réfrigérant.
- Car un climatiseur de R410A encourt une pression plus élevée que les unités R22, il est essentiel de choisir les pipes de cuivre correctement. Jamais diluant de cuivre de pipes d'utilisateur que 0,8mm quoiqu'ils soient disponibles sur le marché.
- Si le gaz de réfrigérant fuit pendant l'installation/servicing, soyez sûr d'aérer entièrement. Si le gaz réfrigérant entre en contact avec le feu, un gaz toxique peut se produire.
- En installant ou en enlevant un climatiseur, ne laissez pas l'air ou l'humidité rester dans le cycle réfrigérant.

## TIRAGE AU VIDE ET CHARGE

Aspirer est nécessaire pour éliminer toute humidité et air du système.

### Aspiration sous vide des tuyauteries et de l'unité intérieure

Hormis pour l'appareil extérieur pré-charge de réfrigérant, l'unité intérieure et les tuyaux de connexion doivent être purgés car l'air restant dans le cycle frigorifique contient de l'humidité et est susceptible de provoquer un dysfonctionnement du compresseur.

- Enlever le bouchon central, ainsi que le bouchon de la prise de pression sur chaque vanne.
- Raccorder le centre de la jauge de chargement à la pompe à vide.
- Raccorder la jauge de chargement à l'orifice de service de la valve à trois voies.
- Démarrer la pompe à vide. Évacuer pendant environ 30 minutes. La période d'évacuation varie selon la capacité de la pompe à vide. S'assurer que l'aiguille de la jauge de chargement se soit déplacée vers  $-760\text{mmHg}$ .

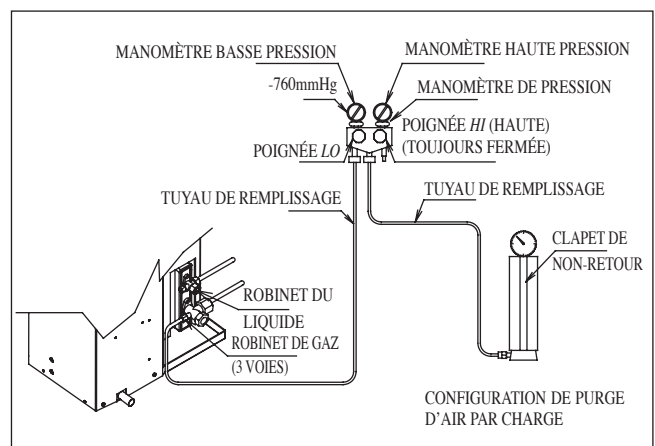
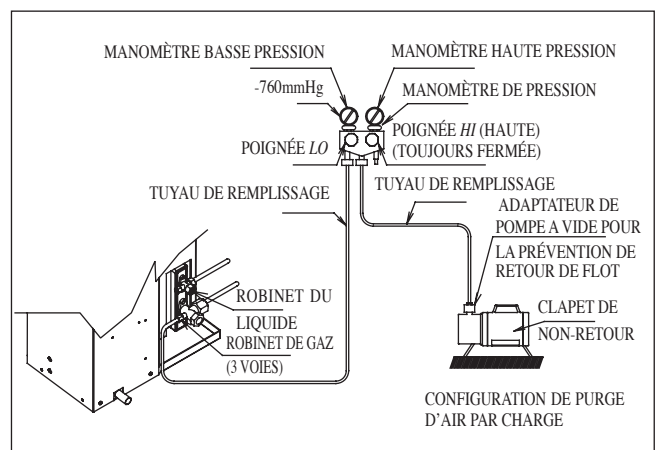
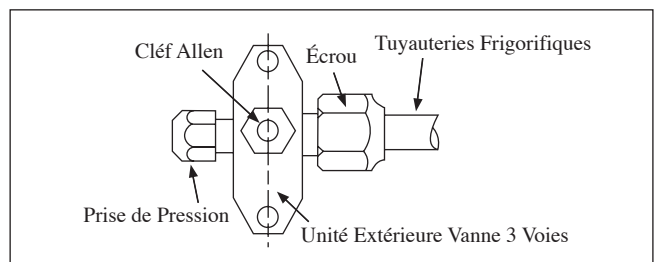
### Avertissement

- Si l'aiguille du manomètre ne bouge pas  $-760\text{mmHg}$ , assurez-vous de vérifier les fuites au type de fusée connexion de l'unité intérieure et extérieure et réparer la fuite avant de passer à l'étape suivante.
- Fermer la valve de la jauge de chargement et éteindre la pompe à vide.
- Sur l'unité extérieure, ouvrir la valve de succion (3 voies) et la valve de liquide (2 voies) (dans le sens inverse des aiguilles d'une montre) à l'aide d'une clé pour vis hexagonales de 4mm.

### Opération de chargement

Cette opération nécessite impérativement l'utilisation d'un cylindre de charge ou une balance de précision. Le complément de charge se fait sur l'unité extérieure par la vanne d'aspiration via la prise de pression de la vanne de service.

- Enlever le bouchon de la vanne de service.
- Raccorder le côté de basse pression de la jauge de chargement à l'orifice de succion du réservoir cylindrique et fermer le côté de haute pression de la jauge. Éliminer l'air du tuyau de service.
- Mettre le climatiseur en marche.
- Ouvrir le cylindre de gaz et la valve de chargement de basse pression.
- Lorsqu'une quantité suffisante de réfrigérant est injectée dans l'unité, fermer le côté basse pression et la valve du cylindre de gaz.
- Débrancher le tuyau de service de l'orifice de service. Remettre le bouchon de l'orifice de service.



## CHARGE ADDITIONNELLE

Le réfrigérant est pré-chargé dans l'unité extérieure. Si la longueur des tuyaux est inférieure à 7,5m, alors la charge supplémentaire après un tirage n'est pas nécessaire. Si la longueur de la tuyauterie est supérieure à 7,5m, alors utiliser la valeur de charge supplémentaire comme indiqué dans le tableau.

### Charge de réfrigérant supplémentaire [g] par longueur supplémentaire de 1m indiquée dans le tableau

<b>Intérieure</b>	<b>FTXB50CV1B</b>	<b>FTXB60CV1B</b>
<b>Extérieure</b>	<b>RXB50CV1B</b>	<b>RXB60CV1B</b>
<b>Charge additionnelle [g/m]</b>	20	20

#### Exemple :

FTXB50CV1B & RXB50CV1B avec une longueur de tuyauterie de 12m la longueur de tuyauterie supplémentaire est de 4,5m. Ainsi,

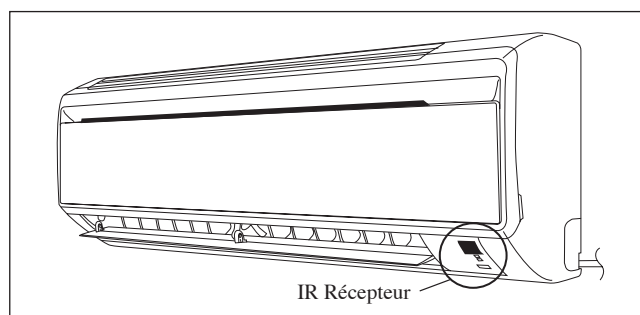
$$\begin{aligned} \text{Charge additionnelle} &= 4,5[\text{m}] \times 20[\text{g/m}] \\ &= 90,0[\text{g}] \end{aligned}$$

## L'INDICATEUR S'ALLUME

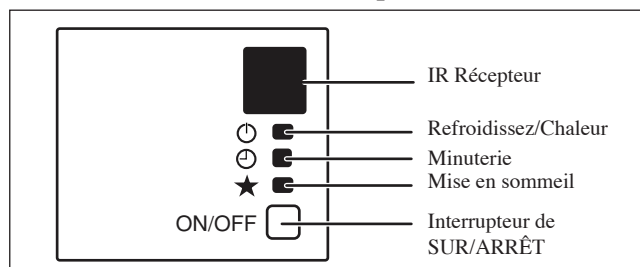
### IR Récepteur De Signal

Lorsqu'un signal de fonctionnement est transmis par une télécommande à infrarouges, le récepteur de signal de l'unité intérieure répond comme ci-dessous pour confirmer l'acceptation de la transmission du signal.

<b>SUR vers ARRÊT</b>	1 bip long
<b>ARRÊT vers SUR</b> <b>Pompe bas/Force de refroidissement activée</b>	2 bips courts
<b>Autres</b>	1 bips courts



### L'indicateur LED S'allume Pour L'unité De Refroidissement / Module Pompe À Chaleur



### Froid Seul / Module Pompe À Chaleur

Le tableau ci-dessous reprend en détail la visualisation par led, des conditions normales de fonctionnement, et conditions de défaut du climatiseur.

Les voyants de signalisation de LED sont situés au milieu de l'unité de climatiseur.

L'unité de pompe de chaleur est équipée d'un mode « auto »; l'unité fournira une température ambiante raisonnable en faisant passer l'unité automatiquement au mode « refroidissement » ou au mode « chaleur », selon la température réglée par l'utilisateur.

### L'indicateur LED S'allume : Conditions De Fonctionnement Normales Et Par Défaut Pour L'Unité De Refroidissement/Module Pompe À Chaleur

		 REFROIDISSEZ/CHALEUR (VERT/ROUGE)		<b>Fonctionnement</b>
		○ VERT		Mode de refroidissement
		○ ROUGE		Mode chauffage
		○ ROUGE		Mode Chauffage automatique
		○ VERT		Mode Refroidissement automatique
		○		Minuterie en marche
○		○		Mode de sommeil
		○ VERT		Mode ventilateur activé
		○ VERT		Mode sec activé
		● ROUGE		Dégivrage
		● VERT		Erreur de l'unité

○ SUR

● Led clignotante

## OPERATION DU CLIMATISEUR

### Déshumidification

- Lorsque le taux d'humidité de l'air est élevé, le climatiseur peut fonctionner en mode de déshumidification. Appuyer sur la touche <MODE> et sélectionner <DRY>.
- Au cas où la température de la pièce est de 2°C/3,6°F supérieure à la température affichée, le climatiseur - avant de passer en mode de déshumidification - fonctionnera en mode de refroidissement jusqu'à ce que la température soit retombée dans la limite des 2°C/3,6°F de différence par rapport à la température affichée.
- Si la température de la pièce se trouve dans la limite des 2°C/3,6°F de différence par rapport à la température affichée, l'appareil fonctionnera directement en mode de déshumidification.
- En mode de déshumidification, l'appareil fonctionne à FAIBLE vitesse de ventilatio.

### Chauffage (concerne seulement la pompe à chaleur)

- Lorsque l'appareil est mis en marche à froid ou après un cycle de dégivrage, le ventilateur intérieur se mettra à tourner seulement une fois que le serpentin aura atteint la température souhaitée.
- Lorsque la température souhaitée est atteinte, le ventilateur intérieur tournera jusqu'à ce que le serpentin ne puisse plus fournir de chaleur supplémentaire.

### Contrôle Du Débit D'air

- Pour obtenir une meilleure circulation d'air, vous pouvez ajuster la grille de refoulement d'air froid vers la gauche ou vers la droite à la main.
- Pendant le fonctionnement en mode froid ou déshumidification, il n'y a pas un refoulement d'air froid pendant un long moment vers le bas. Car il pourrait se produire de la condensation sur les volets d'air suivi d'un écoulement d'eau.

### Vitesse De Ventilation Et Capacité Nominale De Refroidissement

- La capacité nominale de refroidissement peut être atteinte en vitesse de ventilation ÉLEVÉE.
- La capacité de refroidissement est plus faible lorsque l'appareil fonctionne en vitesse de ventilation MOYENNE ou FAIBLE.

### Remarques Sur les Angles Des Volets Et Déflecteurs

- Lorsque vous sélectionnez la touche « OSCILLATION » la plage d'oscillation des volets dépend du mode de fonctionnement. (Voir la figure.)

### ATTENTION

- Réglez toujours l'angle du volet avec la télécommande. Si vous tentez de forcer le volet à la main alors qu'il pivote, le mécanisme pourrait se casser.
- Faites attention lorsque vous réglez les déflecteurs. Un ventilateur tourne à grande vitesse à l'intérieur de la sortie d'air.

### Protection Contre La Surchauffe (concerne seulement la pompe à chaleur)

- Au cas où la température intérieure et/ou extérieure est trop élevée, ou que le filtre est encrassé et bouché, le réfrigérant risque de surchauffer. C'est pourquoi le compresseur se coupe lorsque la température de condensation atteint 62°C/143,6°F.

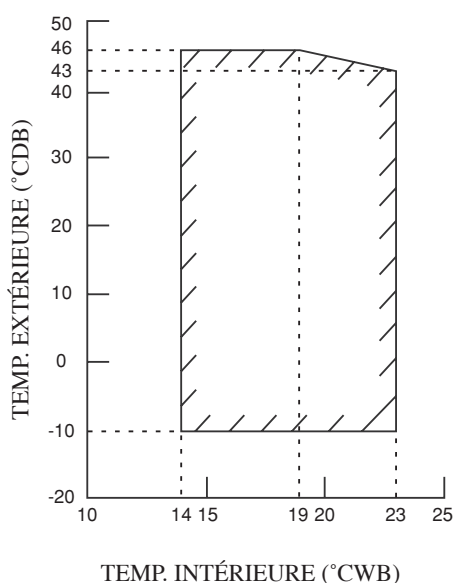
### Prévention De Givrage

- Quand le filtre à air est encrassé, la température d'évaporation diminue et finit par causer la formation de givre.
- Si la température d'évaporation descend à -1°C/33,8°F, l'appareil se coupe.

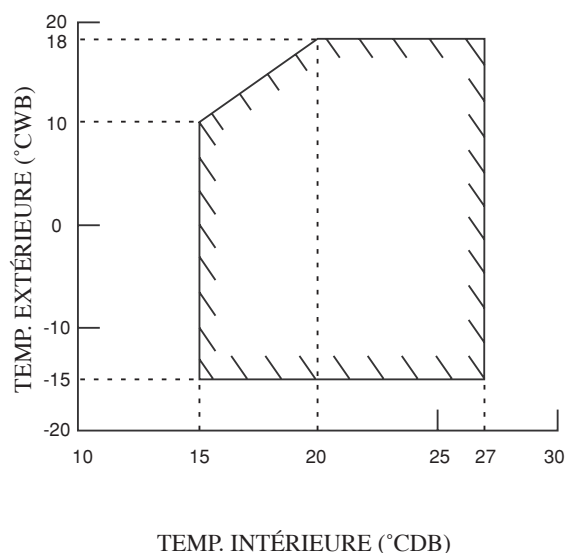
## PLAGE DE FONCTIONNEMENT

Modèle : FTXB50/60CV1B  
RXB50/60CV1B

REFROIDISSEMENT



CHAUFFAGE



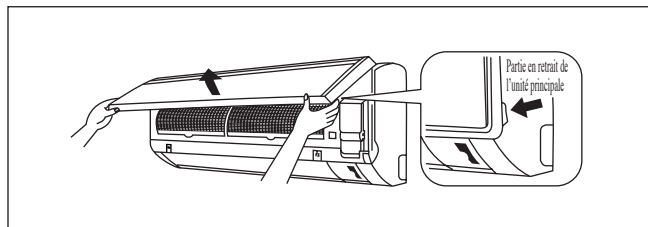
DB : Thermomètre sec

WB : Thermomètre mouillé

## FILTRE À AIR

### 1. Ouvrez le panneau avant.

- Tenez le panneau par les parties en retrait de l'unité principale (2 parties en retrait à droite et à gauche) et soulevez-le jusqu'à ce qu'il s'arrête.

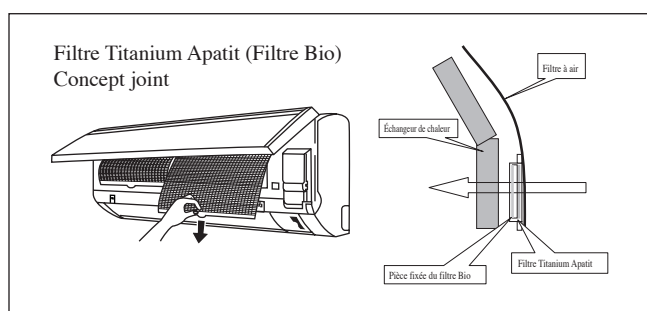


### 2. Retirez les filtres à air.

- Soulevez un peu la languette située au centre de chaque filtre à air, puis abaissez-la.

### 3. Retirez le filtre Bio avec fonctions bactériostatiques et virostatiques.

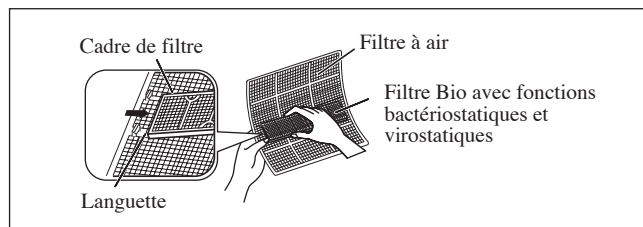
- Tenez les parties en retrait du cadre et décrochez les 4 griffes.



### 4. Nettoyez ou remplacez chaque filtre.

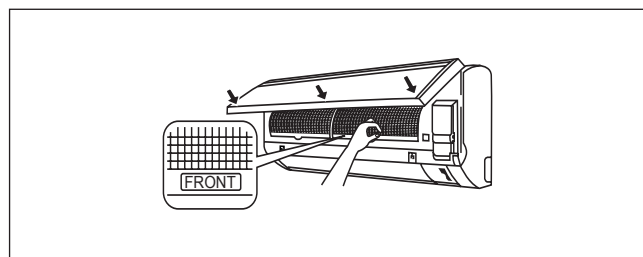
Voir figure.

- Lorsque vous égouttez l'eau restante, ne tordez pas le filtre pour l'essorer.



### 5. Réinstallez le filtre à air et le filtre Bio avec fonctions bactériostatiques et virostatiques et refermez le panneau avant.

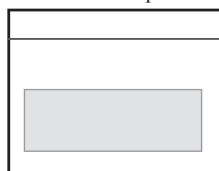
- Insérez les griffes des filtres dans les logements du panneau avant. Fermez doucement le panneau avant et poussez le panneau sur les 3 points. (1 de chaque côté et 1 au milieu.)
- Le filtre à air et le filtre Bio avec fonctions bactériostatiques et virostatiques ont une forme symétrique dans la direction horizontale.



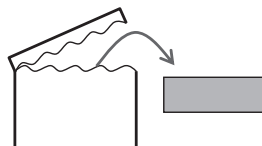
\* Le Filtre Bio et le Filtre Titanium Apatite sont des accessoires disponibles en option.

### Procédure d'installation du filtre Bio

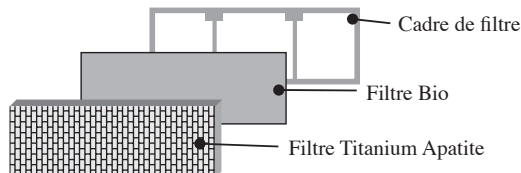
Les ensembles de Filtres Bio sont conservés dans un sac hermétique.



Ouvrez-le au moment de l'installation.



Glissez le filtre entre le châssis de filtre et le Filtre Titanium Apatite.



## ⚠ AVERTISSEMENT

- Veillez utiliser ce Filtre Bio en **saison sèche** telle que l'hiver.
- Méthodes de stockage, de manipulation et d'élimination.**
  - La durée de vie de ce Filtre Bio est d'environ un an après ouverture.
  - Si vous n'utilisez pas ce Filtre Bio immédiatement, ne placez pas le Filtre Bio à un endroit exposé à la lumière directe du soleil, à des hautes températures et/ou à l'humidité.
  - Il peut exister de légères différences de couleur du Filtre Bio provenant de la fabrication, cela n'affecte aucunement les performances de l'unité.
  - Veillez ouvrir ce sac juste avant d'utiliser le filtre. Le Filtre Bio doit rester confiné dans son emballage jusqu'à son utilisation immédiate. (Sinon, ses performances et sa qualité pourraient être affectées.)
  - Afin d'éviter tout risque d'étouffement ou tout autre accident inattendu, veuillez éliminer immédiatement le sac en plastique après en avoir retiré le Filtre Bio. Gardez hors de portée des bébés et des enfants.
  - Si vous conservez ce Filtre Bio pendant une longue période, laissez le sac fermé et stockez-le dans un endroit frais à l'abri de la lumière du soleil.
  - Veillez éliminer l'ancien Filtre Bio en tant que déchet non inflammable après utilisation.
- Fonctionnement avec les filtres sales :**
  - (1) l'air ne peut être désodorisé.
  - (2) l'air ne peut être purifié.
  - (3) le chauffage ou le refroidissement sont faibles.
  - (4) une odeur peut se dégager.
- Pour commander un Filtre Bio, contactez la boutique dans laquelle vous avez acheté le climatiseur.

## ENTRETIEN ET MAINTENANCE

**Remarque valable pour la Turquie uniquement : La durée de vie de nos produits est de dix (10) ans**

Pieces A Entretien	Procédure D'Entretien	Périodicité
<b>Filtre à air intérieur</b>	<ol style="list-style-type: none"> <li>1. Enlever la poussière du filtre à l'aide d'un aspirateur ou en lavant le filtre à l'eau tiède (moins de 40°C/104°F) avec un détergent neutre.</li> <li>2. Bien rincer et sécher le filtre avant de le remettre en place.</li> <li>3. Ne pas utiliser de gasoil, de substances volatiles ou autres produits chimiques pour nettoyer le filtre.</li> </ol>	<p>Au moins une fois toutes les 2 semaines.</p> <p>Plus souvent si nécessaire.</p>
<b>Unité intérieure</b>	<ol style="list-style-type: none"> <li>1. Nettoyer la grille et le panneau en les essuyant avec un chiffon doux mouillé à l'eau tiède (moins de 40°C/104°F) et un détergent neutre.</li> <li>2. Ne pas utiliser de gasoil, de substances volatiles ou autres produits chimiques pour nettoyer l'unité intérieure.</li> </ol>	<p>Au moins une fois toutes les 2 semaines.</p> <p>Plus souvent si nécessaire.</p>

### ⚠ AVERTISSEMENT

- Évitez d'appliquer directement des produits de nettoyage et de traitement pour bobines sur les pièces en plastique. Une réaction chimique pourrait se produire et déformer les pièces en plastique.

#### 1. Ouvrez le panneau avant.

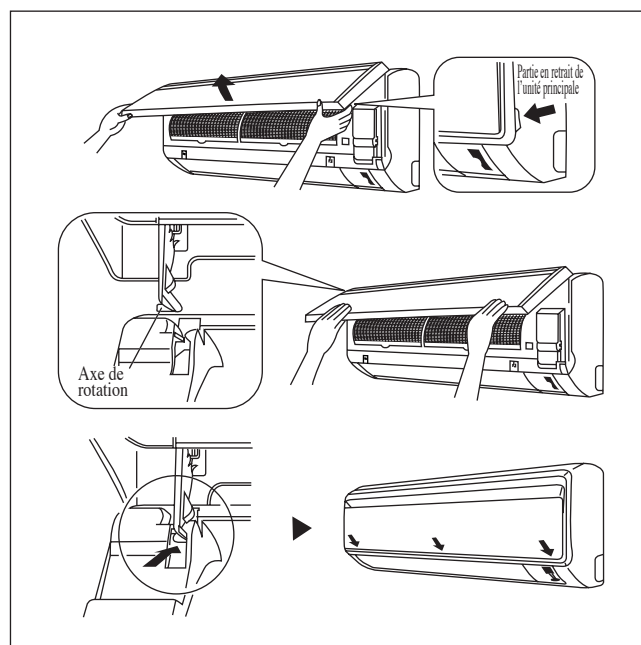
- Tenez le panneau par les parties en retrait de l'unité et soulevez-le principale (2 parties en retrait à droite et à gauche) et soulevez-le jusqu'à ce qu'il s'arrête.

#### 2. Retirez le panneau avant.

- Tout en soulevant plus le panneau avant, faites-le glisser vers la droite et tirez-le vers l'avant pour détacher l'axe de rotation à gauche. Faites glisser l'axe de rotation à droite vers la gauche et tirez-le vers l'avant pour le retirer.

#### 3. Fixez le panneau avant.


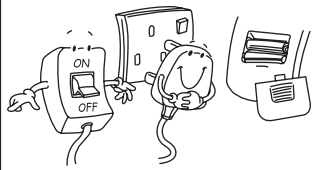
- Alignez les axes de rotation à droite et à gauche du panneau avant avec les rainures et repoussez-les à fond à l'intérieur.
- Refermez doucement le panneau avant. (Faites pression au deux extrémités et au centre du panneau avant.)



## ⚠ **AVERTISSEMENT**

- Ne touchez pas les parties métalliques de l'unité intérieure. Vous pourriez vous blesser.
- Lorsque vous démontez ou montez le panneau avant, empoignez-le fermement pour éviter qu'il ne tombe.
- Pour le nettoyage, n'utilisez pas d'eau chaude de plus de 40°C, ni benzine, ni essence, ni diluant, ni huiles volatiles, ni cirages, ni brosses à récurer, ni objets durs.
- Après le nettoyage, assurez-vous que le panneau avant est bien fixé.

### Mise A L'Arrêt Prolongé Du Climatiseur

<p>Faites fonctionner l'unité pendant 2 heures sur les réglages suivants.</p> <p>Mode de fonctionnement : froid Température : 30°C/86°F</p>		<p>Retirer la prise du secteur. Si vous utilisez un circuit électrique unique pour le climatiseur, coupez le circuit. Enlever les piles de la télécommande.</p>	
---	---	---	---

## DÉPANNAGE

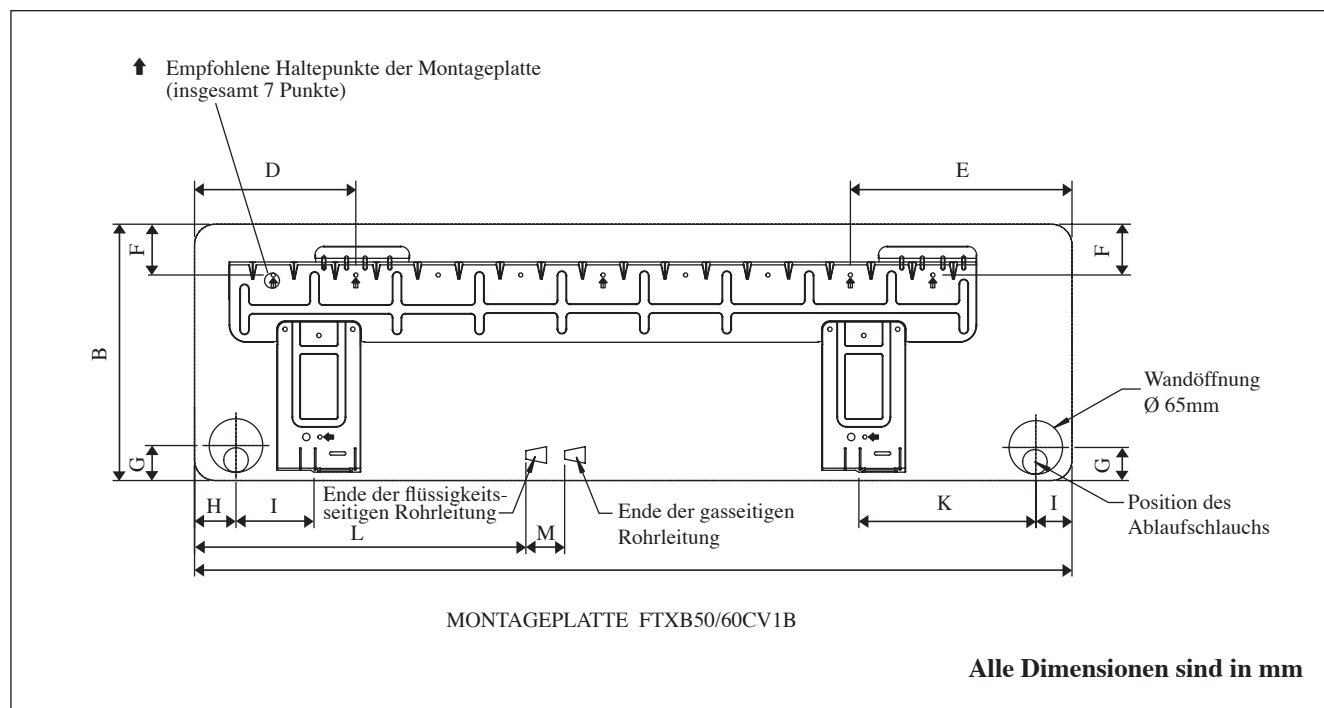
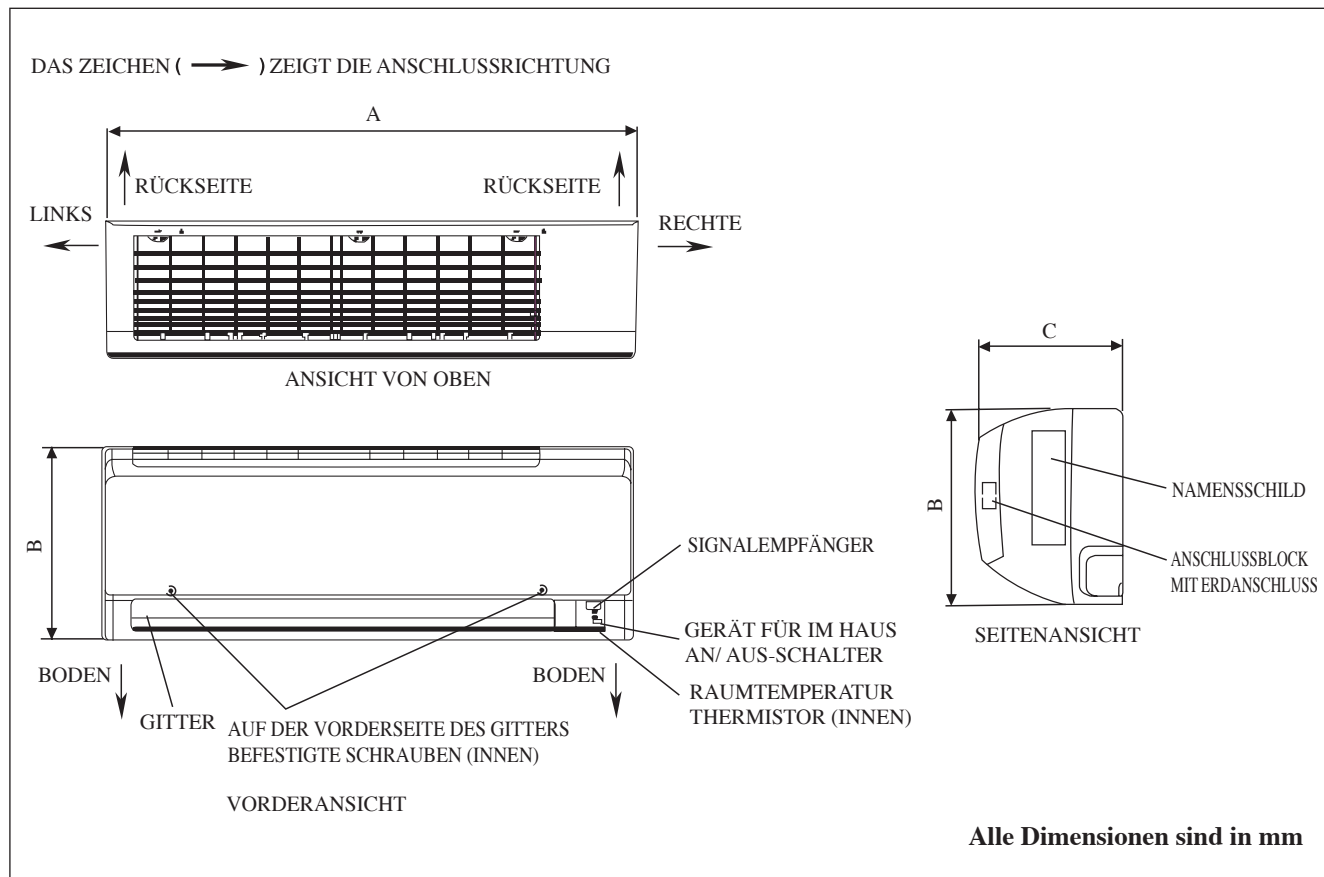
**Pour tout renseignement concernant les pièces détachées, contacter votre revendeur agréé. En cas de dysfonctionnement du climatiseur, éteindre immédiatement l'alimentation électrique de l'unité. Vérifier ensuite les points suivants pour détecter la nature et les causes de la panne.**

Defauts	Causes / Action
1. Le compresseur ne démarre pas 3 minutes après la mise en marche du climatiseur.	– Protection contre les démarrages fréquents. Laisser 3 à 4 minutes au compresseur pour démarrer.
2. Le climatiseur ne fonctionne pas.	– Panne d'alimentation ou le fusible est à changer. – La prise de courant est peut être débranchée. – La programmation de mise en marche/arrêt est peut-être mal réglée. – Si le problème persiste après toutes ces vérifications, veuillez contacter l'installateur du climatiseur.
3. Le flux d'air est trop faible.	– Le filtre à air est sale. – Les portes ou les fenêtres sont ouvertes. – Les entrées et sorties d'air sont bouchées. – La température réglée n'est pas assez élevée.
4. L'air dégagé a une mauvaise odeur.	– Les odeurs peuvent provenir de fumées de cigarettes, parfums ou autres particules adhérents au refroidisseur.
5. Condensation sur la grille frontale de l'unité intérieure.	– La condensation est due à l'humidité de l'air après une période de fonctionnement prolongée. – La température affichée est trop basse; augmenter la température et faire tourner l'appareil à vitesse de ventilation élevée.
6. Ecoulement d'eau du climatiseur.	– Mettez l'unité hors tension et appelez le revendeur.

**Si les pannes persistent, appeler votre revendeur ou le service après-vente.**

## AUSLEGUNG UND ABMESSUNGEN

### Innen-Gerät

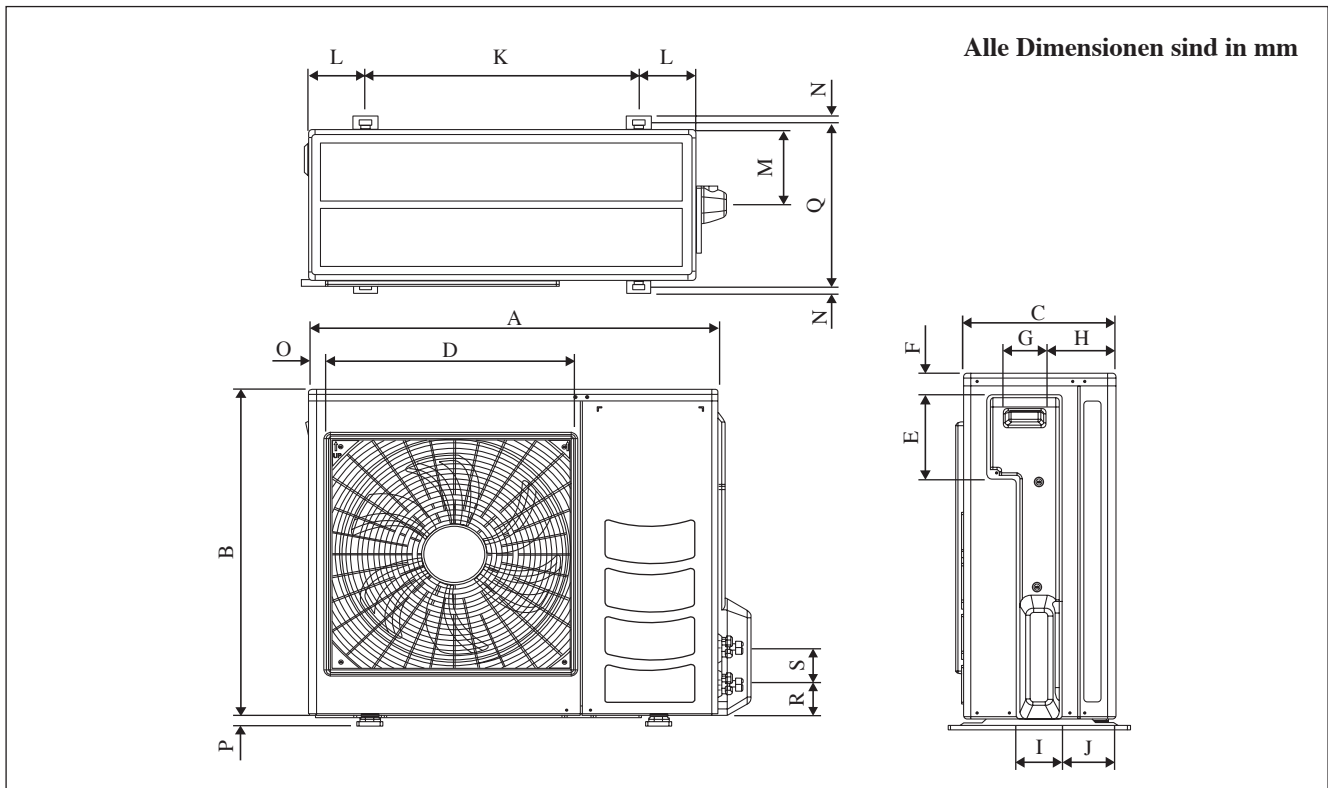


Abmessung	A	B	C	D	E	F	G	H	I	J	K	L	M
Modell													
<b>FTXB50/60CV1B</b>	1065	310	228	190	173	61	40	45	48	91	219	580	45

Übersetzung der Original-Anleitungen  
**Deutsch**



# Außen-Gerät RXB50/60CV1B



Abmessung Modell	A	B	C	D	E	F	G	H	I	J	K	L	M	N
RXB50/60CV1B	855	730	328	520	179	46	93	149	101	113	603	126	164	15

Abmessung Modell	O	P	Q	R	S
RXB50/60CV1B	34	23	362	73	75



# INSTALLATIONSHANDBUCH

Das vorliegende Handbuch enthält die Installationsanweisungen für einen sicheren und ordnungsgemäßen Betrieb dieser Anlage. Je nach den örtlichen Gegebenheiten können spezielle Anpassungen notwendig sein.

Vor der Inbetriebnahme des Klimagerätes dieses Handbuch bitte aufmerksam zur Kenntnis nehmen und für künftigen Bedarf aufbewahren. Dieses Gerät für den Betrieb durch Fachleute oder geschulte Benutzer in Geschäften, der Leichtindustrie und in landwirtschaftlichen Betrieben sowie für gewerbliche Zwecke durch Laien ausgelegt.

Das Gerät ist nicht konzipiert, um von folgenden Personengruppen einschließlich Kindern benutzt zu werden: Personen mit eingeschränkten körperlichen, sensorischen oder geistigen Fähigkeiten oder Personen mit mangelhafter Erfahrung oder Wissen, es sei denn, sie sind von einer Person, die für ihre Sicherheit verantwortlich ist, darin unterwiesen worden, wie das Gerät ordnungsgemäß zu verwenden und zu bedienen ist. Kinder sollten beaufsichtigt werden, um sicher zu sein, dass sie nicht mit dem Gerät spielen.

## VORSICHTMASSNAHMEN

### ⚠ ACHTUNG

- Die Installation und Wartung muß durch qualifiziertes Personal erfolgen, Welches mit den örtlichen Bestimmungen und diesem Ausrüstungstyp vertraut ist.
- Die gesamte E-Verkabelung hat in Übereinstimmung mit den landesspezifischen Anschlußvorschriften zu erfolgen.
- Vor dem Kabelanschluß gemäß Schaltbild ist sicherzustellen, daß die Betriebsspannung mit der auf dem Datenschild des Gerätes angegebenen Spannung übereinstimmt.
- Das Gerät ist zum Schutz gegen fehlerhafte Isolierungen und entsprechende Risiken zu ERDEN.
- Die Kabel dürfen weder mit der Kühlmittelleitung, noch mit den beweglichen Teilen der Gebläsemotoren in Berührung kommen.
- Vor der Installation oder Wartung der Anlage ist sicherzustellen, daß das Gerät ausgeschaltet ist (OFF).
- Vor Wartung des Klimagerätes das Stromkabel vom Netz trennen.
- Das Stromkabel NICHT herausziehen, wenn das Gerät noch EINGESCHALTET ist. Ein elektrischer Schlag oder ein Wohnungsbrand können die Folge sein.
- Halten Sie Innen- und Außengerät mindestens 1m entfernt von Fernsehern und Rundfunkgeräten, um verzerrte Bilder und statische Entladungen zu vermeiden. {abhängig von Type und Quelle der elektrischen Wellen, können statische Entladungen auch noch hörbar sein bei Abständen von mehr als 1m}.

### ⚠ VORSICHT

Vor der Installation sind folgende wichtige Punkte zu prüfen.

- **Gerät nicht installieren, falls ein Leck entzündbaren Gases festgestellt wird.**
  - ⊘ Es besteht Feuergefahr, wenn Gas aus der Anlage entweicht und sich in der Umgebung ansammelt.
- **Die Kondensat-Abflußleitung muß sachgemäß angeschlossen sein.**
  - ! Ist die Abflußleitung nicht korrekt angeschlossen, besteht Gefahr, daß durch auslaufendes Wasser das Mobiliar feucht wird.
- **Gerät nicht überlasten.**
  - ⊘ Das Gerät ist werkseitig vorgefüllt. Im Falle einer Überfüllung besteht die Gefahr einer Überbelastung oder sonstigen Beschädigung des Kompressors.
- **Nach Installation oder Wartung ist sicherzustellen, daß die Geräteabdeckung wieder montiert ist.**
  - ! Eine mangelhafte Befestigung der Abdeckung führt zu Geräusentwicklung während des Betriebs.
- **Scharfe Kanten und Wärmetauscherflächen stellen eine Gefahrenquelle dar. Jeglicher Kontakt mit diesen Stellen ist zu vermeiden.**
- **Vor Abschalten der Stromzufuhr muss der ON/OFF-Schalter der Fernbedienung auf „OFF“ gestellt werden, um eine versehentliche Fehleinstellung zu vermeiden.** Andernfalls schaltet sich bei Wiederherstellung der Stromzufuhr das Kühlgebläse automatisch wieder ein und kann somit für den Benutzer oder Wartungspersonal ein unerwartetes Risiko darstellen.
- **Die Geräte dürfen nicht bei oder in der Nähe von Türen installiert werden.**
- **Betreiben Sie keine Heizgeräte in direkter Nähe des Klimagerätes, und verwenden Sie das Gerät nicht in Räumen, in denen es Mineralölen, Öldämpfen oder -nebel ausgesetzt ist, da dies zu einem Schmelzen oder einer Verformung der Plastikbestandteile aufgrund von Hitze oder chemischer Reaktion führen könnte.**
- **Sollte das Gerät in einer Küche eingesetzt werden, so achten Sie bitte darauf, dass kein Mehlstaub eingesaugt werden kann.**
- **Dieses Gerät ist nicht für den Einsatz in Fabriken geeignet, in denen es zur Entwicklung von Öldämpfen oder Eisenstaub kommt, bzw. In denen es zu starken Stromschwankungen kommen kann.**
- **Das Gerät eignet sich nicht zur Installation in der Nähe von Heißquellen oder Raffinerien, wo Sulfidgase entstehen können.**
- **Sorgen Sie dafür, dass die Farben der Drähte des Außengerätes und der Anschlussmarkierungen dieselbe sind wie die Übereinstimmende des Innengerätes.**
- **WICHTIG: DAS KLIMAGERÄT SOLLTE NICHT IN EINEM WÄSCHERAUM INSTALLIERT ODER BENUTZT WERDEN.**
- **Verwenden Sie zur Stromversorgung keine zusammengefügte und geknickte Kabel.**
- **Das Gerät ist nicht zur Verwendung in einer potentiell explosiven Atmosphäre konzipiert.**

## BEMERKUNG

### Vorschriften zur Entsorgung

Ihre Klimaanlage ist mit diesem Symbol gekennzeichnet. Das bedeutet, dass elektrische und elektronische Produkte nicht mit unsortiertem Haushaltsabfall entsorgt werden dürfen.

Versuchen Sie auf keinen Fall das System selbst zu demontieren: die Demontage des Klimaanlage systems sowie die Handhabung von Kältemitteln, Öl und möglichen weiteren Teilen muss von einem qualifizierten Monteur gemäß den entsprechenden örtlichen und staatlichen Bestimmungen vorgenommen werden.

Klimaanlagen müssen bei einer fachkundigen Einrichtung für Wiederverwendung, Recycling und Wiedergewinnung aufbereitet werden. Indem Sie dieses Produkt korrekt entsorgen, helfen Sie potenzielle negative Folgen für die Umwelt und die Gesundheit der Menschen zu vermeiden. Nehmen Sie bitte hinsichtlich weiterer Informationen Kontakt auf mit dem Monteur oder den örtlichen Behörden.

Die Batterien müssen aus der Fernbedienung entfernt werden und gemäß den entsprechenden örtlichen und staatlichen Vorschriften separat entsorgt werden.



## WICHTIG

### Wichtige Informationen hinsichtlich des verwendeten Kältemittels

Dieses Produkt enthält fluorierte Treibhausgase.

Lassen Sie Gase nicht in die Atmosphäre ab.

Kältemitteltyp: R410A

GWP <sup>(1)</sup> Wert: 2087,5

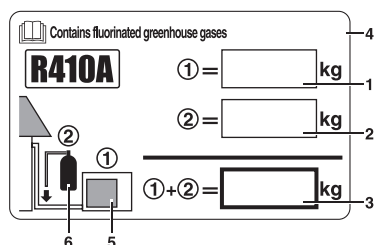
<sup>(1)</sup> GWP = Treibhauspotential

Bitte füllen Sie das Etikett betr. Auffüllen des Kühlmittels,

- ① die werkseitige Kältemittelbefüllung des Produktes,
- ② die am Montageort befüllte zusätzliche Kältemittelmenge und
- ① + ② die gesamte Kältemittelbefüllung

der Lieferung dieses Gerätes beigelegt, mit abriebfester Tinte wie folgt aus:

Das ausgefüllte Etikett muss in der Nähe der Kältemittel-Einflüllöffnung angehängt werden (z.B. auf der Innenseite der Wartungsblende).



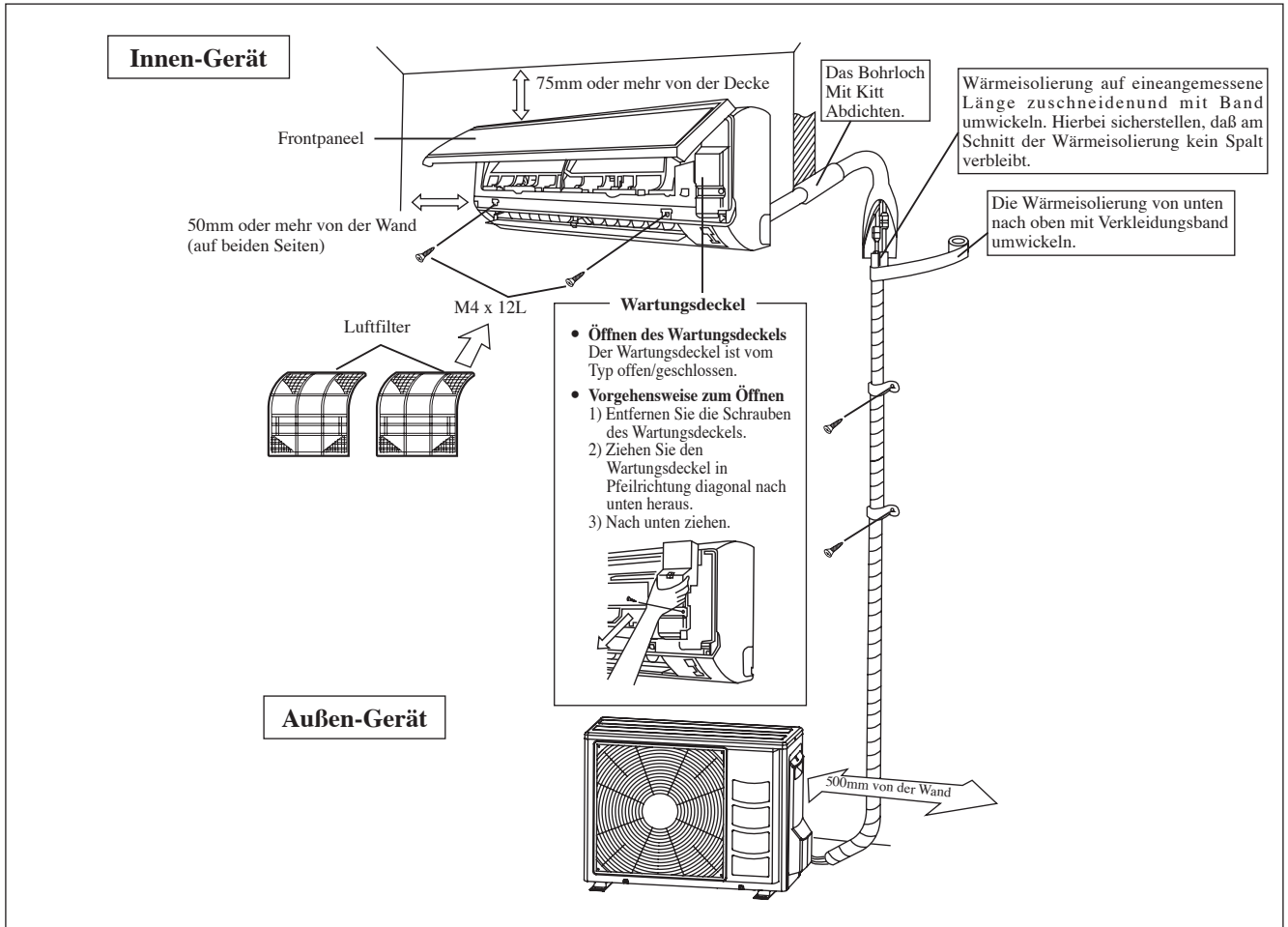
- 1 werkseitige Kältemittelbefüllung des Produktes:  
siehe Typenschild der Einheit <sup>(2)</sup>
- 2 zusätzliche am Montageort befüllte Kältemittelmenge
- 3 gesamte Kältemittelbefüllung
- 4 fluorierte Treibhausgase enthält,
- 5 Außen-Gerät
- 6 kältemittelzylinder und Sammelleitung für die Befüllung

<sup>(2)</sup> Bei System mit mehreren Geräten muss nur ein Etikett angehängt werden\*, dass die gesamte werkseitige Kältemittelbefüllung am Kältemittelsystem angeschlossener Geräte angibt.

Überprüfungen in Bezug auf Kältemittellecks müssen in regelmäßigen Abständen je nach den europäischen oder nationalen Bestimmungen durchgeführt werden. Kontaktieren Sie bitte Ihren örtlichen Händler bezüglich weiterer Informationen.

\* auf der im Freienmaßeinheit

## INSTALLATIONSDIAGRAMM



Deutsch

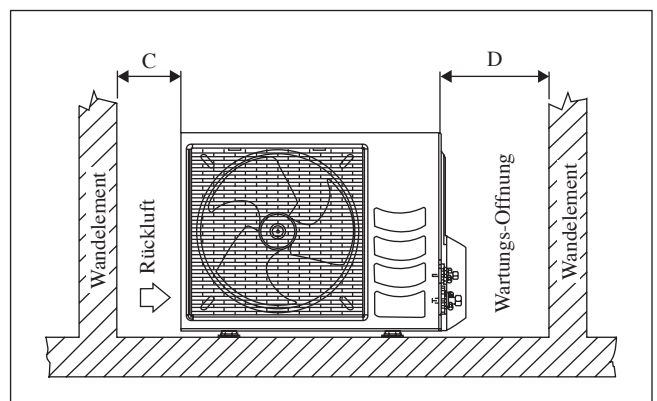
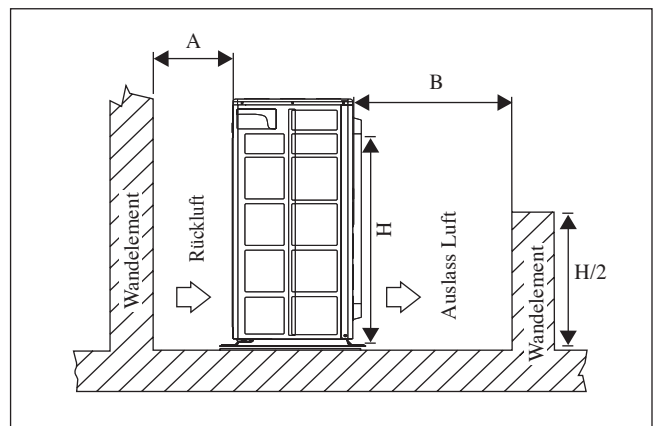
## INSTALLATION DES AUßENGERÄTES

Das Außengerät ist so zu installieren, dass keine Interferenz zwischen der Abblasluft und der Umwälzluft bzw. kein Hindernis gegeben ist. Bei der Installation bitte die in der Zeichnung angegebenen Abstände beachten. Wählen Sie den kältesten Ort zur Installation, wo die Temperatur der angesaugten Luft nicht höher als die Außentemperatur (siehe Betriebsbereich) ist.

### Montageabstand

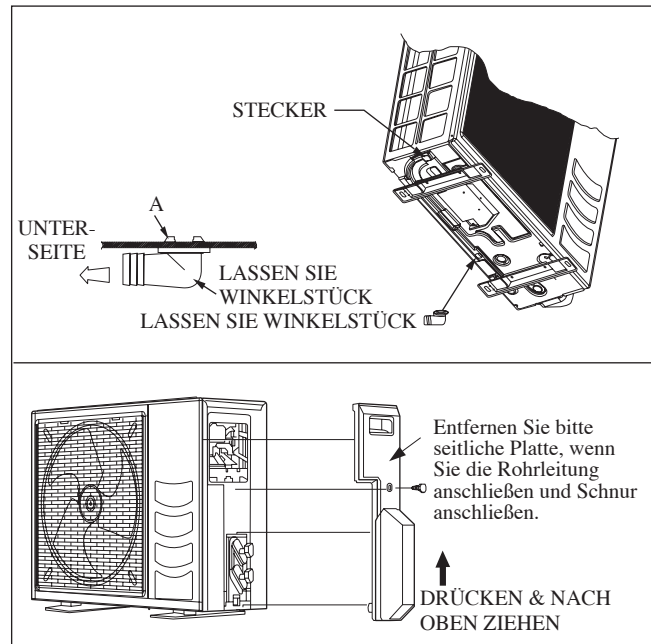
Abmessung	A	B	C	D
<b>Mindestabstand, mm</b>	300	1000	300	500

**Anmerkung:** Bei einem Hindernis von über 2m oder soweit sich irgendein Hindernis im oberen Bereich der Einheit befindet, muß der in obenstehender Tabelle aufgeführte Abstand entsprechend vergrößert werden.



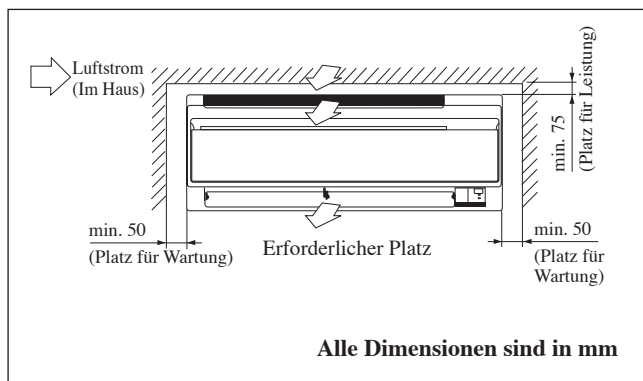
## Verkürzte Wasser-Beseitigung der im Freienmaßeinheit (nur Wärmepumpe-Maßeinheit)

- Es gibt 2 Bohrungen auf der Unterseite der im Freienmaßeinheit, damit verkürztes Wasser heraus fließt. Setzen Sie das Abflußwinkelstück bis eine der Bohrungen ein.
- Das Abflußwinkelstück, erster Einsatz ein Teil des Hakens zur Unterseite (Teil A) anbringen, das Abflußwinkelstück in der Richtung dann ziehen gezeigt durch den Pfeil beim Einsetzen des anderen Teils zur Unterseite. Nach Installation Überprüfung, zum sicherzustellen, daß das Abflußwinkelstück Unterseite fest anhaften.
- Wenn die Maßeinheit in ein schneebedecktes und chily in einen Bereich angebracht wird, kann verkürztes Wasser in der Unterseite einfrieren. In solchem Fall entfernen Sie bitte Stecker an der Unterseite der Maßeinheit, um die Entwässerung glatt zu machen.



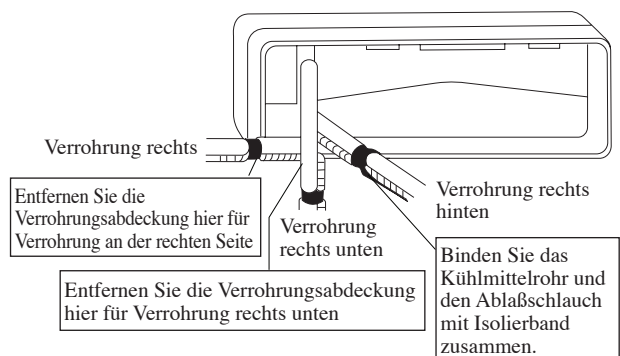
## INSTALLATION DES INNENGERÄTES

Innengeräte sind so zu installieren, daß keine Interferenz zwischen dem Kühlluftaustritt und der zurückgeführten Luft besteht. Bei der Installation bitte die in der Zeichnung angegebenen Abstände beachten. Ein Innenmontage-Gerät darf nicht unter direkter Sonneneinstrahlung montiert werden. Die Montageposition ist anhand der Rohrleitung und der Drainage im gegebenen Abstand zu Türen oder Fenstern zu gewährleisten.

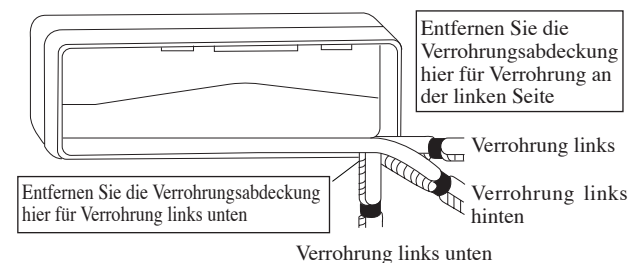


Die Kühlmittelleitung kann auf verschiedene Weise an das Gerät angeschlossen werden (links oder rechts an der Rückseite des Gerätes) (siehe abbildung). Die Rohre vorsichtig auf die entsprechenden Lochpositionen biegen. Halten Sie bei einem Seiten- oder Bodenausgang den unteren Teil des Rohres fest und bringen Sie ihn in die gewünschte Richtung (siehe abbildung). Sie können den Kondensatschlauch mit Klebeband an den Rohren fixieren.

### Anschluss der Rohre seitlich rechts, hinten rechts oder unten rechts



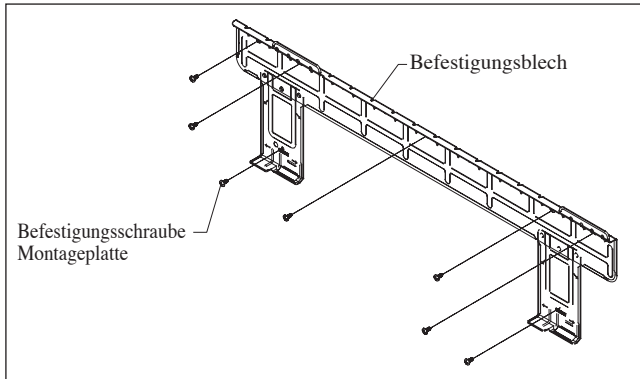
### Rohranschluss Seitlich links, Rückseite links oder Unten links



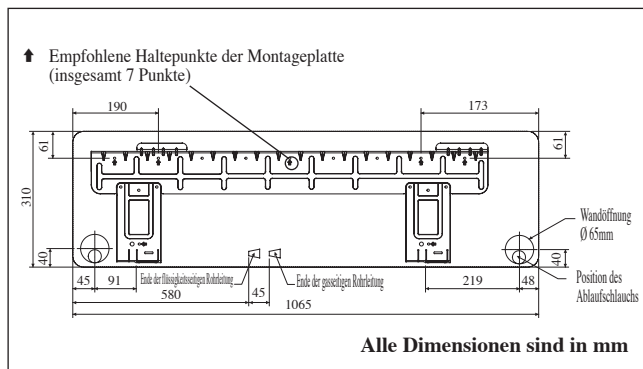
## Montage der Installations-halterungsplatte

Sicherstellen, daß die Trägerwand ausreichend fest ist, um das Gewicht aufnehmen zu können. Falls nicht, müssen geeignete Vertärkungsplatten, Träger oder Stützen verwendet werden. Verwenden Sie eine Wasserwaage für eine waagerechte Halterung und befestigen Sie es mit 7 geeigneten Schrauben für FTXB50/60CV1B.

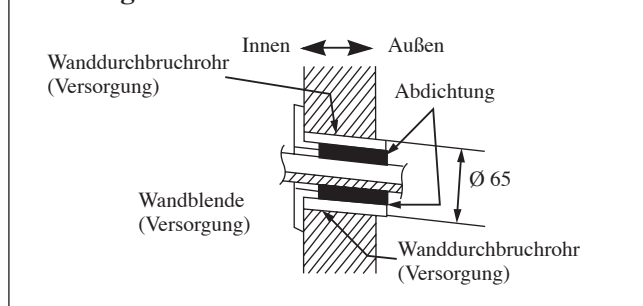
Bei Rohrleitungs-herausführung auf der Rückseite: Eine Bohrung 65mm mit einem Konusbohrer setzen. Hierbei die Bohrung auf der wandungsaußenseite etwas tiefer positionieren (siehe abbildung).



## Empfohlene Montageplatte, Halterungsstellen und Abmessungen



## Bohrung Durch Konusbohrer



## Gerätemontage Auf Der Installationsplatte

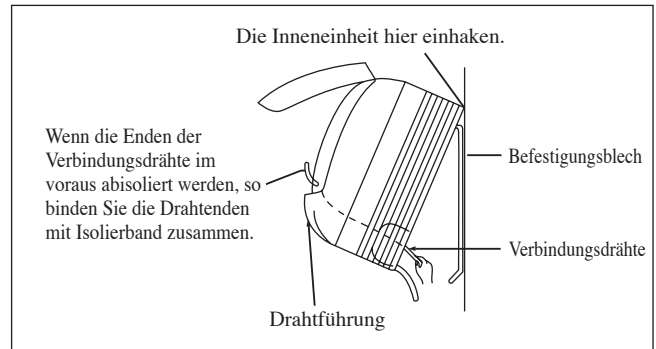
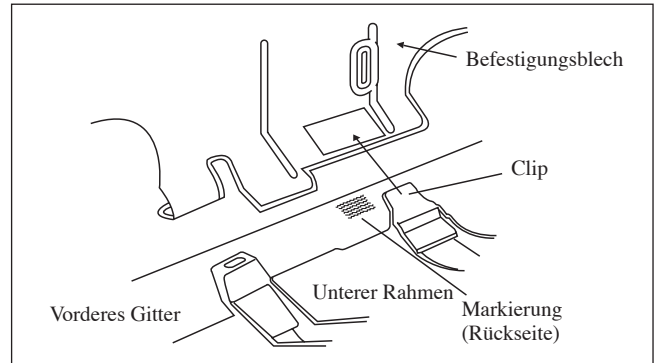
Innenmontage-Gerät in den oberen Bereich der Installationsplatte einhängen (Die beiden hinteren oberen Laschen der Innenmontage-Einheit in die obere Kante der Installationsplatte einhängen). Bewegen Sie die Montageplatte leicht nach links und rechts, um zu prüfen, ob die Haken ordnungsgemäß eingegriffen haben.

## Anbringen des Innenaggregats

Haken Sie die Klemmen des Bodenrahmens auf der montageplatte ein.

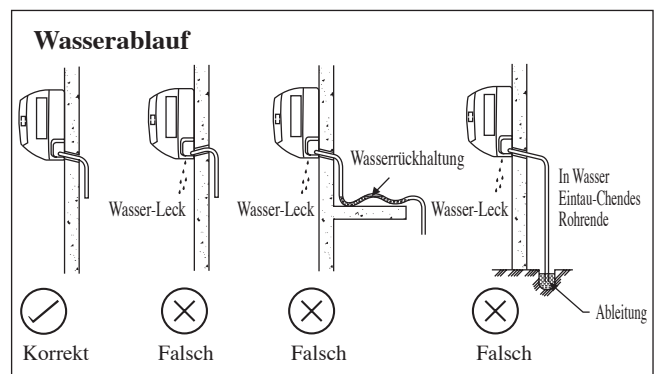
## Entfernen des Innenaggregats

Drücken Sie den markierten Bereich (am unteren Teil des Frontgrills) nach oben, um die Klemmen zu lösen.



## Wasser-Entleerungsleitung

Zur problemlosen Kondensatabführung muß die innenliegende Wasserentleerungsleitung Gefälle aufweisen. Vermeiden Sie Umstände, die zum Austreten von Wasser führen können.



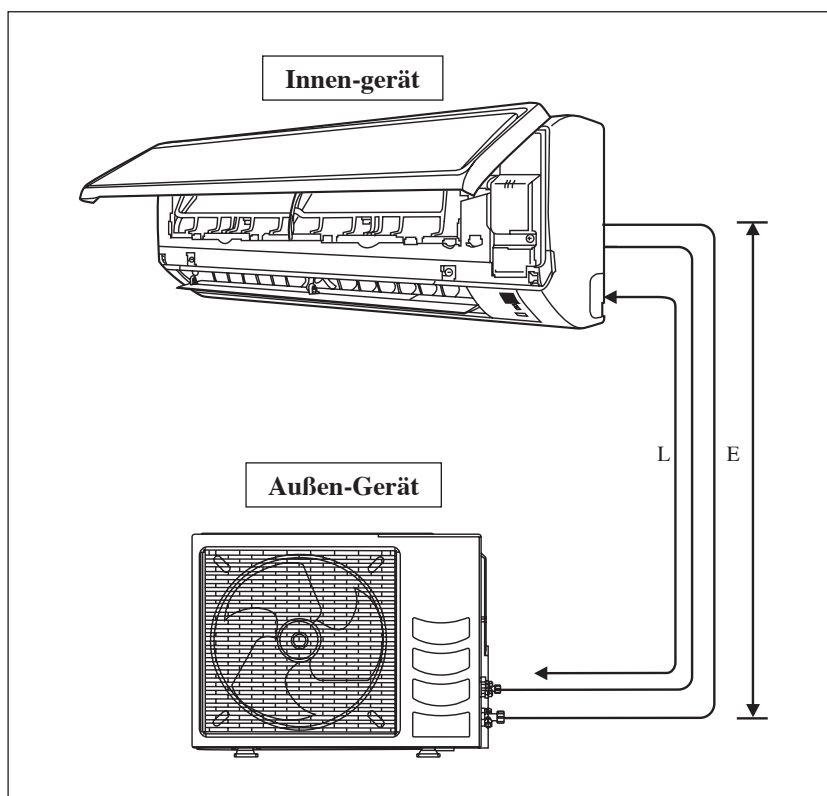
## ⚠ VORSICHT

- Innen- und Außengerät nicht in Höhen über 2000m installieren.

## KÜHLMITTELLEITUNG

### Erlaubte Leitungslänge

Bei zu langer Rohrleitung führt dies zu mangelnder Kapazität und Zuverlässigkeit des Gerätes. Je mehr Krümmer installiert werden, desto langsamer wird der Kühlmittelfluss, was wiederum die Kühlleistung verringert. Dies kann den Kompressor beschädigen. Immer den kürzesten Leitungsweg unter Beachtung nachstehender Empfehlungen wählen:





Modell	FTXB50CV1B	FTXB60CV1B
Min. zulässige Länge (L), m		3
Maximal zulässige Länge (L), m		30
Maximal zulässige Höhe (E), m		10
Gasrohr, mm/(zoll)	12,70 (1/2")	15,88 (5/8")
Flüssigkeitsrohr, mm/(zoll)	6,35 (1/4")	

\*Achten Sie darauf, die angemessene Menge zusätzliches Kühlmittel zuzugeben. Wenn dies nicht erfolgt, kann die Leistung verringert sein.

**Anmerkung:** Für Außenmontage-Geräte wird werkseitig eine Kältemittel charge hinsichtlich einer Rohrleitungslänge von 7,5m vorgenommen.

### Äquivalente Länge für verschiedene Montage (m)

Rohrgröße	L gemeinsame 	Trap Kurve 
3/8" (OD9,52mm)	0,18	1,3
1/2" (OD12,7mm)	0,20	1,5
5/8" (OD15,9mm)	0,25	2
3/4" (OD19,1mm)	0,35	2,4
7/8" (OD22,2mm)	0,40	3
1" (OD25,4mm)	0,45	3,4
1 1/8" (OD28,6mm)	0,50	3,7
1 3/8" (OD34,9mm)	0,60	4,4

Anmerkungen:

1. Gleichwertige Rohrlänge ist mit tatsächlichen Länge Gasleitungen erhalten.
2. 90° -Biegung der Rohrleitung entspricht L Gelenk.

Rohrbiegungen müssen sorgfältig vorgenommen werden, um ein Zerdrücken der Rohrleitung zu verhindern. Soweit möglich, ein Rohrbiegegerät verwenden.



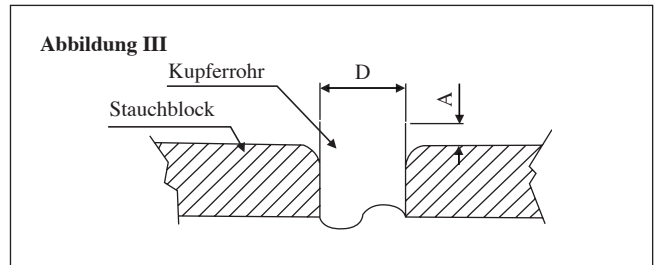
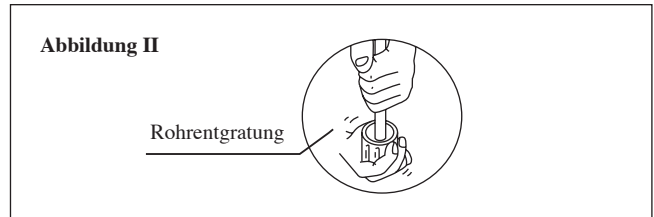
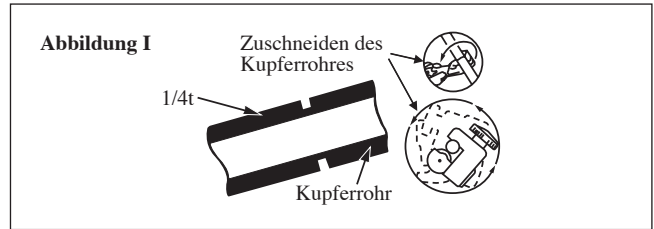
## Leitungsverlegung U. Anschluss technik

- Keine verschmutzten oder beschädigten Kupferrohre verwenden. Wenn jegliche Rohrleitungen, der Verdampfer oder der Verdichter mehr als 15 Sekunden lang geöffnet geblieben sind, muss das System entleert werden. Allgemein sollten keine Plastikabdeckungen, Gummistopfen oder Messinggewinde von den Ventilen, Armaturen, Rohren und Wärmetauschern abgenommen werden, bis die Ansaug- bzw. Flüssigkeitsleitung anschlussbereit ist.
- Falls Lötarbeiten vorzunehmen sind, sicherstellen, daß Während des Lötens Stickstoff durch die Wärmetauscher und Kupplungen gerührt wird. Dadurch werden Rußablagerungen auf den Kupferrohr-Innenwandungen vermieden.
- Rohrleitungen nach und nach zurechtschneiden und dabei das Schneidegerät langsam in das Rohr eingreifen lassen. Höherer Kraftaufwand und ein schneller Schnitvorschub verursachen eine stärkere Verformung des Rohres und zusätzliche Gratstellen. Siehe Abbildung I.
- Rohrkanten mit einer Reibahle entgraten. Siehe Abbildung II. Halten Sie das Rohr ganz oben und den Entgrater ganz unten, damit keine Metallspäne in das Rohr geraten. Dadurch werden Unregelmäßigkeiten an der Anschlußfläche vermieden, die zu undichten Stellen führen könnten.
- Die Gewindeüberwurfteile an den Armaturen des Innen- und Außengerätes in die Kupferrohre einziehen.
- Die genaue überstehende Rohrleitungslänge an der Kupplungs-Stirnfläche richtet sich nach dem Kupplungswerkzeug. Siehe Abbildung III.
- Das Rohr fest auf den Stauchblock aufdrücken. Anschließend Gewinde- und Überwurfteil zentrieren und beide Teile gegeneinander festziehen.

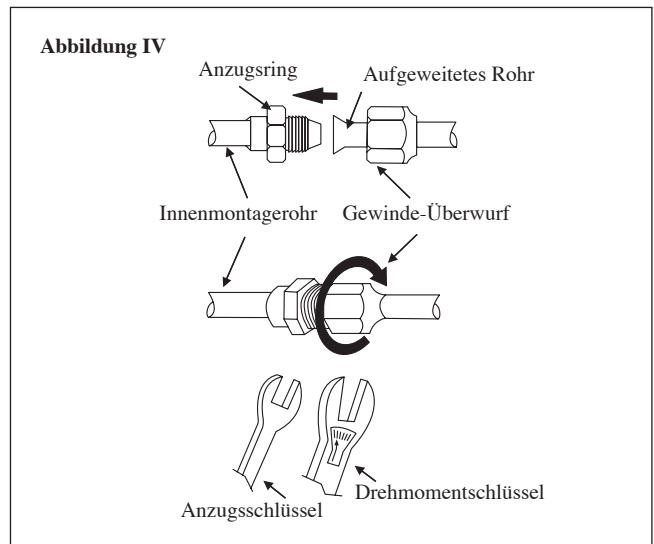
## Geräte-Rohranschluss

- Rohrleitung zentrieren und Gegenmutter mit der Hand anziehen. Siehe Abbildung IV.
- Abschließend Gewindemutter und Moment-schlüssel bis an die gewünschte Moment-Einraststelle anziehen.
- Beim Anziehen der Gewindemutter mit dem Momentschlüssel ist die durch den Pfeil angezeigte Anzugsrichtung des Momentschlüssels zu beachten.
- Die Kühlmittleitungsanschlüsse sind mit geschlossenzelligem Polyurethanschaum isoliert.

Rohrgröße, mm (zoll)	Anzugsmoment, Nm (ft-lb)
6,35 (1/4")	18 (13,3)
12,70 (1/2")	55 (40,6)
15,88 (5/8")	65 (48,0)



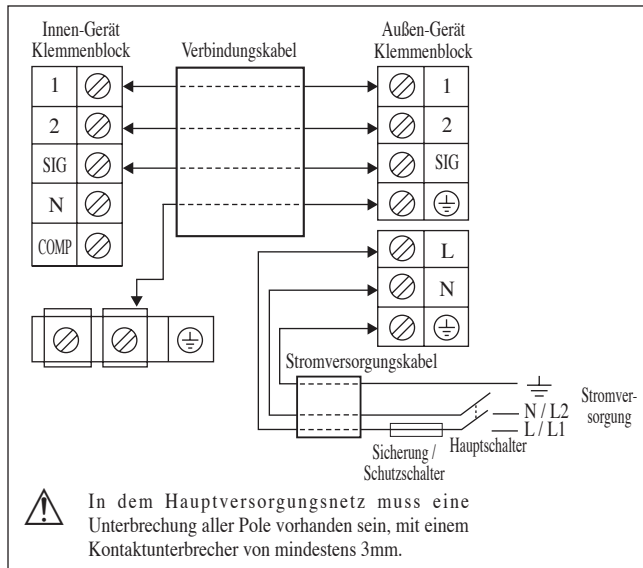
Ø Rohr, D		A (mm)	
Zoll	mm	Aufgeweite (Flügelmutter-Typ)	Starr (Kupplungstyp)
1/4"	6,35	1,30	0,70
1/2"	12,70	1,90	1,30
5/8"	15,88	2,20	1,70



## KABELANSCHLUß

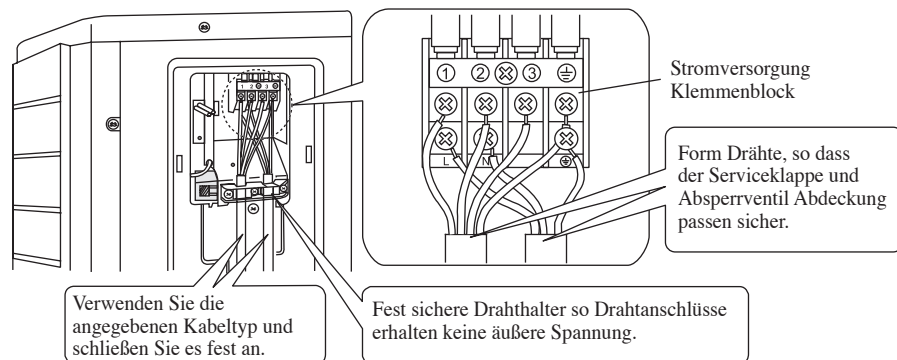
**WICHTIG :** \* Die angegebenen Werte sind lediglich Richtwerte. Sie sind zu überprüfen und ggf. den örtlichen und/oder Landes spezifischen Vorschriften und Bestimmungen anzugleichen. Im weiteren sind diese abhängig von der Installationsart und dem Leitungsquerschnitt.

\*\* Der geeignete Spannungsbereich sollte den Etikettendaten auf der Einheit entnommen werden.

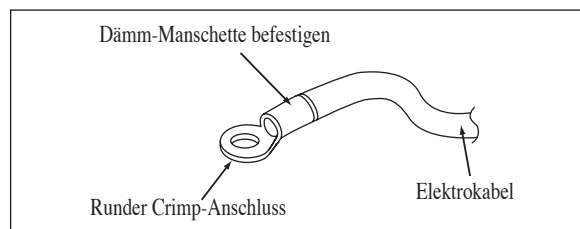


Modell	FTXB50/60CV1B RXB50/60CV1B	
Spannungsbereich**	220-240V/~50Hz + ⊕	
Stromversorgungskabel Größe*	mm <sup>2</sup>	2,5
Anzahl der Leiter		3
Interconnection Kabelgröße*	mm <sup>2</sup>	2,5
Anzahl der Leiter		4
Empfohlene Sicherung/Schutzschalter Bewertung A		20

\* Wenn das Kabel länger als 2m ist, Kabel mit größerem Durchmesser verwenden.



- Alle Adern sind fest zu verdrahten.
- Stellen Sie sicher, dass alle Kabel die Kältemittelleitungen, den Kompressor oder andere bewegliche Teile nicht berühren.
- Der Verbindungsdraht zwischen dem Innen- und Außengerät muss durch die mitgelieferte Kabelbefestigung eingeklemmt werden.
- Das Anschlusskabel muss zumindest dem H07RN-F entsprechen.
- Stellen Sie sicher, dass kein externer Druck auf die Anschlussklemmen und Drähte ausgeübt wird.
- Stellen Sie sicher, dass alle Abdeckungen ordnungsgemäß befestigt sind jede Lücke zu vermeiden.
- Verwenden Sie runde Crimpanschlüsse, um Kabel an den Anschlussblock anzuschließen. Schließen Sie die Kabel an die entsprechenden Markierungen des Anschlussblocks an. (Siehe Schaltbild, angeheftet am Gerät).



- Verwenden Sie den korrekten Schraubendreher, um die Blockschrauben festzudrehen. Ungeeignete Schraubendreher können den Schraubenkopf beschädigen.
- Überdrehen kann die Klemmschrauben beschädigen.
- Schließen Sie nicht Drähte von unterschiedlichen Instrumenten an den gleichen Anschluss an.
- Verkabelung in geregelter Anordnung halten. Die Verkabelung sollte keine anderen Teile und nicht die Abdeckung des Anschlusskastens blockieren.





## SPEZIELLE VORKEHRUNGEN BEIM BESCHÄFTIGEN R410A MAßEINHEIT

R410A ist ein neues HFC Kältemittel, das nicht die Ozon- Schicht beschädigt. Der Betriebsdruck dieses neuen Kältemittels ist 1,6 Mal höher, als herkömmliches Kältemittel (R22), dadurch ist es äußerst wichtig, das Unterhaltsarbeiten und Installationen korrekt durchgeführt werden.

- Nie Kältemittel des Gebrauches anders als R410A in einer Klimaanlage, die entworfen ist, um mit R410A zu funktionieren.
- POE- oder PVE-ÖL wird als Schmiermittel für R410A Kompressor benutzt, das zu dem Mineralöl unterschiedlich ist, das für Kompressor R22 benutzt wird. Während der Installation oder der Wartung muß weitere Vorsichtsmaßnahme genommen werden, um das R410A System auszusetzen, das nicht feuchter Luft zu lang ist. Verbleibendes POE- oder PVE-ÖL in der Rohrleitung und andere Rückstände können Feuchtigkeit aus der Luft aufsaugen.
- Dem Aufflackerventil zu dem von R22 unterschiedlich.

- Benutzen Sie Werkzeuge und Materialien ausschließlich für Kältemittel R410A. Werkzeuge ausschließlich für R410A sind vielfältiges Ventil, aufladenschlauch, Druckanzeiger, Gasleckstell Detektor, Aufflackernwerkzeuge, Drehkraftschlüssel, Vakuumpumpe und Kältemittelzylinder.
- Da eine R410A Klimaanlage auf höheren Druck als Maßeinheiten R22 sich nimmt, ist es wesentlich, die kupfernen Rohre richtig zu wählen. Nie kupferner Rohrverdünner des Benutzers als 0,8mm obwohl sie im Markt vorhanden sind.
- Wenn das Kältemittelgas während der Installation /servicing ausläuft, seien Sie sicher, völlig zu lüften. Wenn das abkühlende Gas in Kontakt mit Feuer kommt, kann ein giftiges Gas auftreten.
- Wenn Sie eine Klimaanlage, lassen Sie Luft oder Feuchtigkeit nicht im abkühlenden Zyklus bleiben anbringen oder entfernen.

## VAKUUMHERSTELLUNG UND LADEN

Das Absaugen ist erforderlich, um alle eventuell im System vorhandene Feuchtigkeit und Luft zu entfernen.

### Evakuierung der Leitung und des Innenmontagegeräts

Mit Ausnahme des Außen-Gerätes, der mit dem Kältemittel gefüllt ist, muss das Innen-Gerät und der Anschluss der Kältemittelleitungen luft-gereinigt werden, weil die Luft Feuchtigkeit enthält,- die im Kältemittel-Kreislauf zurückbleibt und die eine Funktionsstörung des Kompressors verursachen kann.

- Die Abdeckungen vom Ventil und dem Wartungsanschluß abnehmen.
- Den Lademesser von der Mitte aus an die Vakuumpumpe anschliessen.
- Den Lademesser an die Wartungsöffnung des 3-Weg- Ventils anschliessen.
- Die Vakuumpumpe einschalten. Und etwa 30 Minuten laufen lassen. Die Evakuierungszeiten sind je nach Kapazität der Pumpe verschieden. Darauf achten, dass die Nadel des Lademessers bei  $-760\text{mmHg}$  steht.

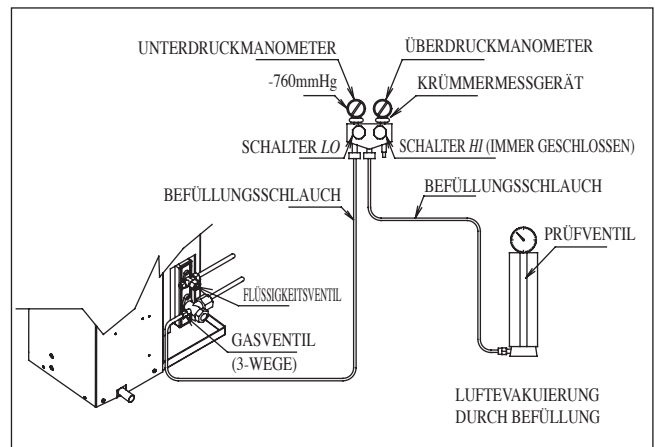
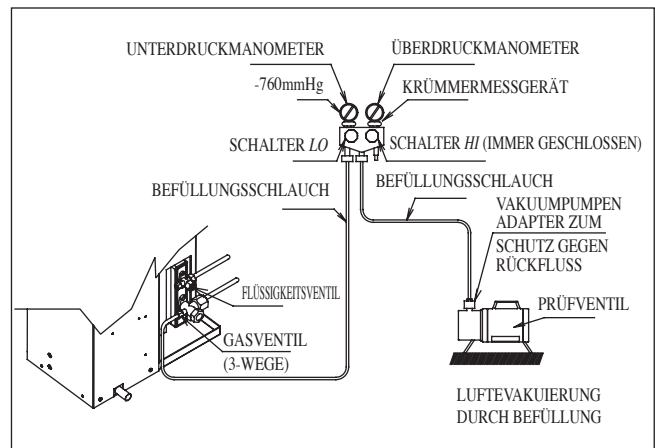
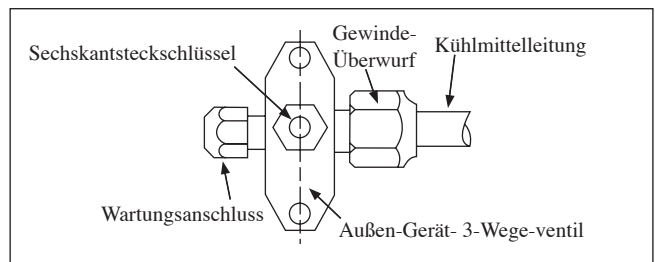
### Vorsicht:

- Wenn die Nadel nicht zu bewegen  $-760\text{mmHg}$ , sicher sein, für Leckage an Flare Verbindung des Innen- und Außengerät überprüfen und reparieren das Leck bevor Sie mit dem nächsten Schritt.
- Das Ventil des Lademessers schliessen und die Vakuumpumpe abschalten.
- Am Aussengerät das Saugventil (3-Weg-Ventil) und das Flüssigkeitsventil (2-Weg-Ventil) mit einem 4mm- Schlüssel für 6-kantige Sackschrauben öffnen (gegen den Uhrzeigersinn).

### Kältemittel-Zusatzbefüllung

Dieser Arbeitsgang erfordert den Einsatz eines Gas-Füllzylinders sowie einer Präzisionswaage. Die Zusatzbefüllung erfolgt am Außenmontage-Gerät mithilfe des Ansaugventils und dem Wartungsanschluß.

- Abdeckung der Wartungsöffnung entfernen.
- Verbinden Sie die Niederdrucköffnung des Lademesser mit dem Ansaug-Wartungsanschluss in der Mitte des Zylindertanks und verschließen Sie die Hochdrucköffnung des Manometers. Die verbleibende Luft aus dem Zuliefer schlauch entfernen.
- Starten Sie das Klimagerät.
- Den Gaszylinder und das Niederdruck-Ladeventil öffnen.
- Sobald die benötigte Kältemittelmenge in das Gerät gepumpt ist, schließen Sie die Niederdruckseite und den Gaszylinder.
- Den Wartungsschlauch von der Wartungspumpe entfernen. Bringen Sie die Abdeckung wieder an.



## ZUSÄTZLICHE BEFÜLLUNG

Das Außenmontage-Gerät ist bereits werkseitig mit Kältemittel befüllt. Wenn die Rohrlänge ist weniger als 7,5m, dann zusätzliche Gebühr nach dem Absaugen ist nicht erforderlich. Falls die Rohrleitung länger als 7,5m misst, muss zusätzliches Kühlmittel gemäß den Angaben in der Tabelle aufgefüllt werden.

**Zusätzliches Auffüllen von Kühlmittel [g] pro zusätzlicher 1m Länge wie in der Tabelle angegeben.**

<b>Innen</b>	<b>FTXB50CV1B</b>	<b>FTXB60CV1B</b>
<b>Außen</b>	<b>RXB50CV1B</b>	<b>RXB60CV1B</b>
<b>Zusätzliche Befüllung [g/m]</b>	20	20

**Beispiel:**

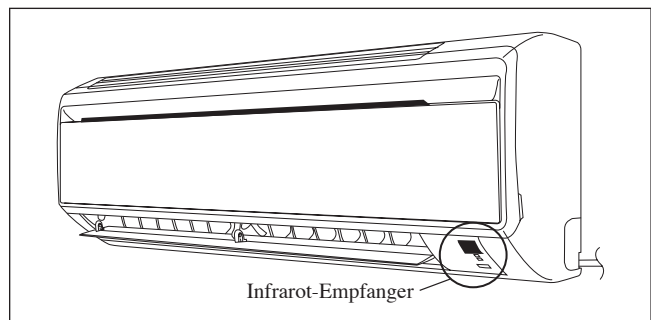
FTXB50CV1B & RXB50CV1B mit 12m Rohrleitung, zusätzliche Rohrlänge ist 4,5m. Somit,  
 Zusätzliche Befüllung = 4,5[m] x 20[g/m]  
 = 90,0[g]

## BETRIEBSLEUCHTANZEIGE

### Infrarot-Signalempfänger

Wurde über die Fernbedienung ein Infrarot-Signal gesendet, so antwortet der Signalempfänger des Gerätes für im Haus wie unten angegeben und bestätigt den Signalempfang.

<b>AN auf AUS</b>	1 langer Piepston
<b>AUS auf AN</b> <b>Hinunterpumpen/Kühlung eingeschaltet</b>	2 kurze Piepstöne
<b>Andere</b>	1 kurze Piepstöne



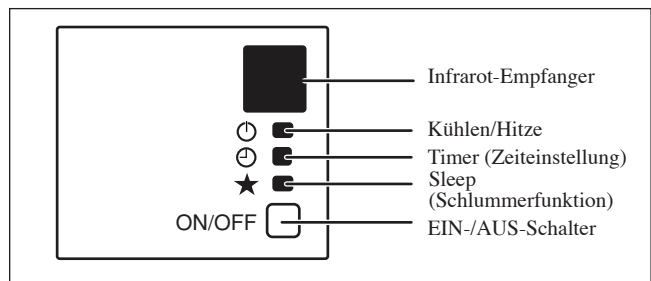
### Kühleinheit/Wärmepumpe

Nachstehende Tabelle enthält die einzelnen LED-Funktionsanzeigen für Normalbetrieb und die verschiedenen Störungsmeldungen.

Die LED Anzeigelampen befinden sich an der Mitte der Klimaanlage Maßeinheit.

Die Wärmepumpe kann auf automatischen Betrieb „auto“ geschaltet werden, so daß sie zwecks Aufrechterhaltung der vom Benutzer voreingestellten Raumtemperatur entweder auf Kühl- oder Heizbetrieb schaltet.

### Leuchtdiode für Kühlbetrieb / Wärmepumpe



### Leuchtdioden: Normalbetrieb und Störungssituationen des Kühlgeräts/Wärmepumpe

	 KÜHLEN SIE AB/HITZE (GRÜN/ROT)		<b>Betrieb</b>
	○ GRÜN		Kühlmodus
	○ ROT		Heiz-Modus
	○ ROT		Automatik-Modus in Heizfunktion
	○ GRÜN		Automatik-Modus in Kühlfunktion
	○		Zeitschalter an
○	○		Schlafmodul an
	○ GRÜN		Ventilatormodus eingeschaltet
	○ GRÜN		Trocknungsmodus eingeschaltet
	◐ ROT		Enteisung
	◐ GRÜN		Gerätefehler

○ EIN

◐ Blinkend

## BEDIENUNG DES KLIMAGERÄTES

### Entfeuchten

- Bei hoher Luftfeuchtigkeit ist das Gerät zum Entfeuchteneinsetzbar. Dazu die <MODE>-Taste betätigen und <DRY> anwählen.
- Liegt die Raumtemperatur um 2°C/3,6°F höher als die eingestellte Temperatur, arbeitet das Gerät im Kühlbetrieb, bis die Raumtemperatur sich innerhalb von 2°C/3,6°F Unterschied gegenüber der eingestellten Temperatur befindet, und schaltet anschließend auf Entfeuchten um.
- Liegt die Raumtemperatur innerhalb von 2°C/3,6°F Unterschied gegenüber der eingestellten Temperatur, schaltet sich das Gerät direkt auf Entfeuchtung.
- Bei Entfeuchtung arbeitet das Gerät mit LANGSAMER Gebläsedrehzahl.

### Heizbetrieb (nur für Wärmepumpe)

- Wird das Gerät kalt gestartet oder nach Entfrostdung eingeschaltet, setzt das Gebläse am Innengerät sich erst in Gang, wenn der Wärmetauscher die gewünschte Temperatur erreicht hat.
- Ist die eingestellte Temperatur erreicht, arbeitet das Innengebläse so lange, bis der Wärmetauscher seine maximale Heizkapazität erreicht hat.

### Luftstromsteuerung

- Zur verbesserten Luftzirkulation kann das Abluftgitter nach links oder rechts mit der Hand verstellt werden.
- Während der KÜHL- oder ENTFEUCHTUNGS-Funktion (COOLING/DRY) sollte das Strömungsrichtungsgitter nicht über einen längeren Zeitraum hin direkt nach unten gerichtet werden. Bei einer Kondensatbildung kann es dadurch zu einer Tropfenbildung kommen.

### Gebläsedrehzahl und vorgesehene Kühlleistung

- Die vorgesehene Kühlleistung wird bei einer HOHEN Gebläsedrehzahl erreicht.
- Bei mittlerer bzw. langsamer Gebläsedrehzahl liegt die Kühlleistung niedriger.

### Hinweise zu Winkeln der Schwenklappen und Lüftungsgitter

- Der Schwenkbereich der Klappen bei Drücken der Taste „SCHWENKEN“ ist von der Betriebsart abhängig. (Siehe Abbildung.)

### ACHTUNG

- Benutzen Sie immer die Fernbedienung, um den Klappenwinkel einzustellen. Wenn Sie versuchen ihn gewaltsam mit der Hand zu verändern während die Klappe schwingt, können Sie den Mechanismus beschädigen.
- Gehen Sie beim Einstellen der Lüftungsgitter vorsichtig vor. Auf der Innenseite der Luftaustrittsöffnung dreht sich mit hoher Geschwindigkeit ein Ventilator.

### Überhitzungsschutz (nur für Wärmepumpe)

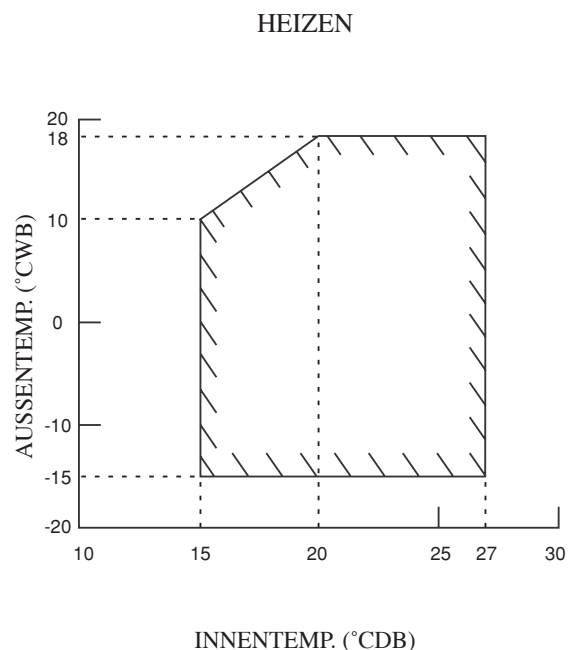
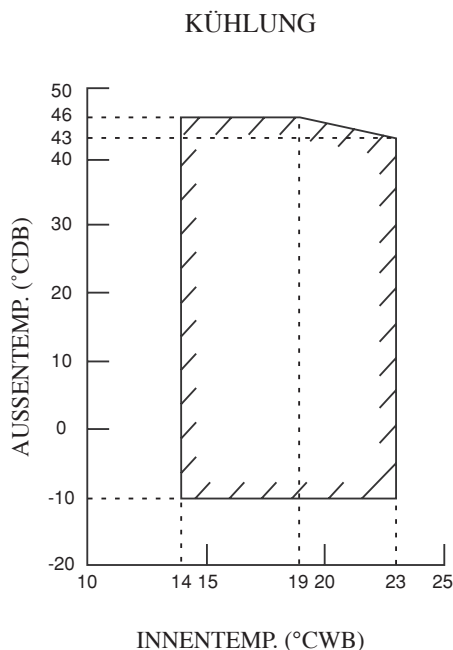
- Wenn die Innen- und/oder Außentemperatur zu hoch liegt, oder der Filter verschmutzt bzw. verstopft ist, besteht Überhitzungsgefahr für das Kältemittel. Darum schaltet sich der Kompressor aus, wenn die Kondensattemperatur 62°C/143,6°F erreicht.

### Vorbeugen von Frostbildung

- Wenn der Luftfilter verschmutzt ist, sinkt die Verdunstungstemperatur und führt schließlich zu Frostbildung.
- Sobald eine Verdunstungstemperatur von -1°C/33,8°F erreicht wird, schaltet sich das Gerät aus.

## BETRIEBBEREICH

Modell: FTXB50/60CV1B  
RXB50/60CV1B

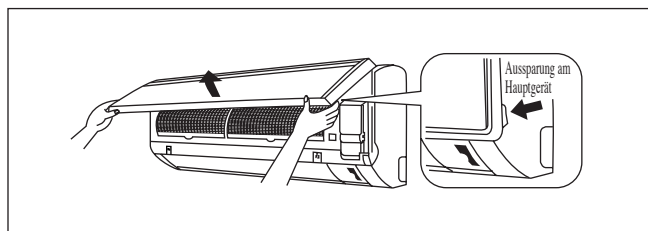


DB: Trockenkugel    WB: Feuchtkugel

## LUFTFILTER

### 1. Öffnen der Frontplatte.

- Halten Sie die Platte an den Vertiefungen des Hauptgerätes (2 Vertiefungen auf der rechten und linken Seite), und heben Sie sie bis zum Anschlag an.

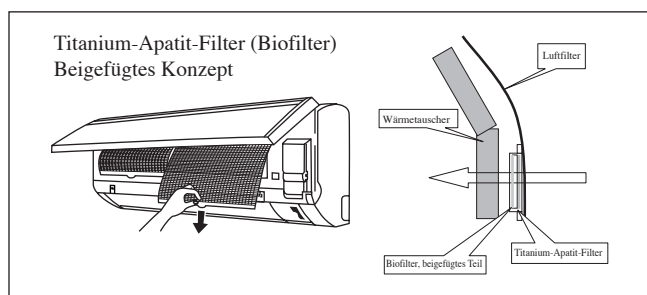


### 2. Ziehen Sie die Luftfilter heraus.

- Drücken Sie den Griff in der Mitte jedes Filters nach oben, ziehen Sie ihn dann nach unten heraus.

### 3. Nehmen Sie den Biofilter mit Bakteriostatik heraus, virusstatische Funktionen.

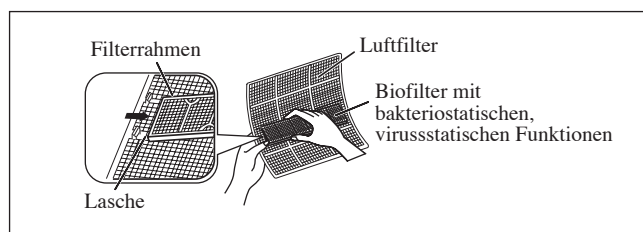
- Halten Sie den Rahmen an den Vertiefungen fest und haken Sie die 4 Klemmen aus.



### 4. Reinigen oder ersetzen Sie alle Filter.

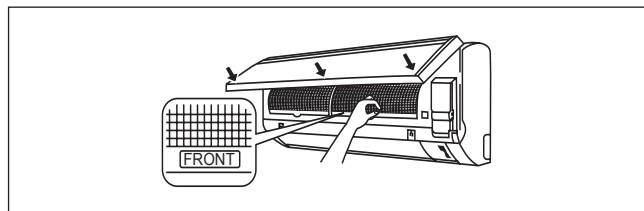
Siehe abbildung.

- Beim Abschütteln des restlichen Wassers den Filter nicht auswringen.



### 5. Stellen Sie den Luft- und den Biofilter mit bakteriostatischen, virusstatischen Funktionen in die ursprüngliche Einstellung zurück und schließen Sie den Deckel auf der Vorderseite.

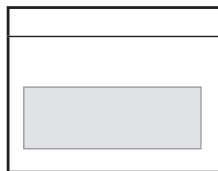
- Setzen Sie die Klemmen der Filter in die Schlitze der Frontplatte ein. Schließen Sie das Frontplatte langsam und drücken Sie das Platte an den 3 Punkten. (1 auf jeder Seite und 1 in der Mitte.)
- Der Luftfilter und der Biofilter mit bakteriostatischen, virusstatischen Funktionen besitzen in der horizontalen Richtung eine symmetrische Form.



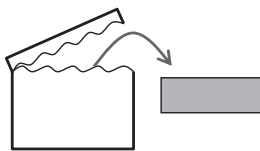
\* Biofilter und Titanapatitfilter sind optionale Zubehörteile.

### Einbau des Biofilters

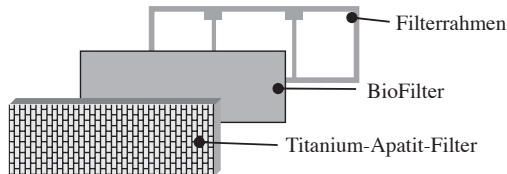
Die Biofilter befinden sich in einer luftdicht verschlossenen Tasche.



Nehmen Sie sie für den Einbau heraus.



Platzieren Sie den Filter zwischen dem Filterrahmen und dem Titanium-Apatit-Filter.



## ⚠ VORSICHT

- Verwenden Sie diesen BioFilter in der **trockenen Jahreszeit**, so zum Beispiel Winter.
- **Lagerung, Handhabung und Betriebsmethoden.**
  - Die Lebensdauer der BioFilter beträgt nach dem Öffnen ungefähr ein Jahr.
  - Verwenden Sie den BioFilter nicht direkt, so lagern Sie ihn bitte nicht an einem Ort, an dem er extremem Sonnenlicht, hohen Temperaturen und/ oder hoher Feuchtigkeit ausgesetzt ist.
  - Bei der Farbe des BioFilters können aus Herstellungsgründen leichte Unterschiede auftreten. Dies hat jedoch keine Auswirkungen auf die Geräteleistung.
  - Bitte öffnen Sie vor Gebrauch diese Tasche ordnungsgemäß. BioFilter sollten bis kurz vor dem Gebrauch in der ungeöffneten und versiegelten Verpackung bleiben. (Sonst kann es zu Leistungsbeeinträchtigungen oder Qualitätsverlust kommen.)
  - Um Erstickungsgefahr oder andere Unfälle zu vermeiden, entsorgen Sie den Plastikbeutel sofort nach Entnahme des BioFilters. Er darf nicht in die Hände von Babies und Kindern gelangen.
  - Bewahren Sie den BioFilter längere Zeit auf, so lassen Sie ihn bitte ungeöffnet und lagern Sie ihn an einem kühlen Ort, an dem er keinem direkten Sonnenlicht ausgesetzt ist.
  - Bitte entsorgen Sie den alten BioFilter nach dem Gebrauch als nicht brennbaren Abfall.
- **Betrieb mit verschmutzten Filtern:**
  - (1) die Luft kann nicht deodorisiert werden.
  - (2) die Luft kann nicht gereinigt werden.
  - (3) schwache Leistung beim Heizen oder Kühlen sind die Folge.
  - (4) unangenehme Gerüche können die Folge sein.
- Kontaktieren Sie zur Bestellung von BioFiltern den Service-Shop, in dem Sie die Klimaanlage gekauft haben.

**Hinweis gilt für die Türkei nur: Die Lebensdauer unserer Produkte von zehn (10) Jahren ist**

Wartungsteile	Wartungsverfahren	Intervall
<b>Luftfilter Innen-Gerät</b>	1. Luftfilter mit Staubsauger absaugen oder in lauwarmem Wasser (unter 40°C/104°F) mit neutraler Seife auswaschen. 2. Sorgfältig ausspülen und vor dem Wiedereinsetzen trocknen. 3. Kein Benzin, Verdünner oder Chemikalien verwenden, um den Filter zu reinigen.	Mindestens einmal alle 2 Wochen.  Gegebenenfalls häufiger.
<b>Innen-gerät</b>	1. Staub oder Schmutz an Gitter und Abdeckung mit einem weichen Tuch abwischen. Das Tuch vorher in lauwarmem Wasser (unter 40°C/104°F) mit neutraler Seife anfeuchten. 2. Kein Benzin, noch Verdünner oder sonstige Chemikalien zum Reinigen des Innengeräts verwenden.	Mindestens einmal alle 2 Wochen.  Gegebenenfalls häufiger.

**⚠ VORSICHT**

- Vermeiden Sie direkten Kontakt der Plastikteile mit den Reinigern für die Wärmetauscher. Die Plastikteile können sich aufgrund chemischer Reaktionen verformen.

**1. Öffnen der Frontplatte.**

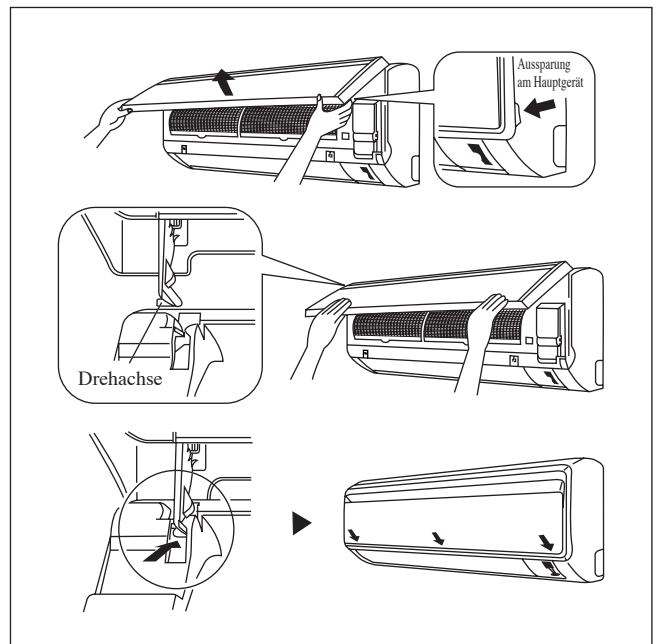
- Halten Sie die Platte an den Vertiefungen des Hauptgeräts (2 Vertiefungen auf der rechten und linken Seite), und heben Sie sie bis zum Anschlag an.

**2. Abnehmen der Frontplatte.**

- Während Sie die Frontplatte weiter anheben, schieben Sie sie nach rechts, und ziehen Sie sie zur Vorderseite. Die linke Drehachse wird gelöst. Schieben Sie die rechte Drehachse nach links, und ziehen Sie sie zum Abnehmen zur Vorderseite.

**3. Anbringen der Frontplatte.**

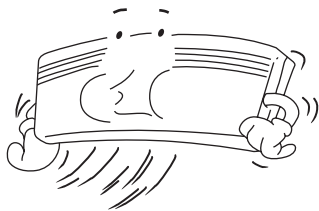
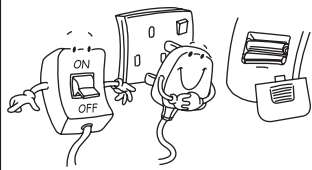
- Richten Sie die rechte und linke Drehachse der Frontplatte auf die Nuten aus, und drücken Sie sie bis zum Anschlag hinein.
- Die Frontplatte sachte schließen. (Beide Seiten und die Mitte der Frontplatte andrücken.)



## ⚠ VORSICHT

- Berühren Sie nicht die Metallteile des Innengerätes. Sie können sich verletzen.
- Stützen Sie das Frontplatte beim Aus- und Einbau fest mit einer Hand, damit es nicht herunterfällt.
- Verwenden Sie zum Reinigen kein heißes Wasser mit einer Temperatur von mehr als 40°C ist, kein Waschbenzin oder Benzin, keinen Verdüner oder andere verdunstende Öle, Poliermittel, Scheuerbürsten oder andere harte Gegenstände.
- Vergewissern Sie sich nach dem Reinigen, dass das Frontplatte sicher befestigt wurde.

### Bei Längerer Nichtbenutzung Das KlimaGerätes

<p>Betreiben Sie das Gerät 2Stunden lang in folgender.</p> <p>Einstellung Betriebsmodus : kühlen Temperatur : 30°C/86°F</p>		<p>Netzstecker ziehen. Falls das Klimagerät an einen eigenen Stromkreis angeschlossen ist, diesen Stromkreis unterbrechen (Sicherung herausdrehen oder Sicherungsautomat abschalten). Batterien aus der Fernbedienung nehmen.</p>	
---	---	---	---

## STÖRUNGSBEHEBUNG

**Bei Fragen zu Ersatzteilen wenden Sie sich bitte an einen autorisierten Händler. Wenn eine Fehlfunktion des Klimagerätes festgestellt wird, dann sofort die Stromversorgung des Gerätes unterbrechen. Nachfolgend einige Hinweise zur Behebung von einfachen Störungen.**

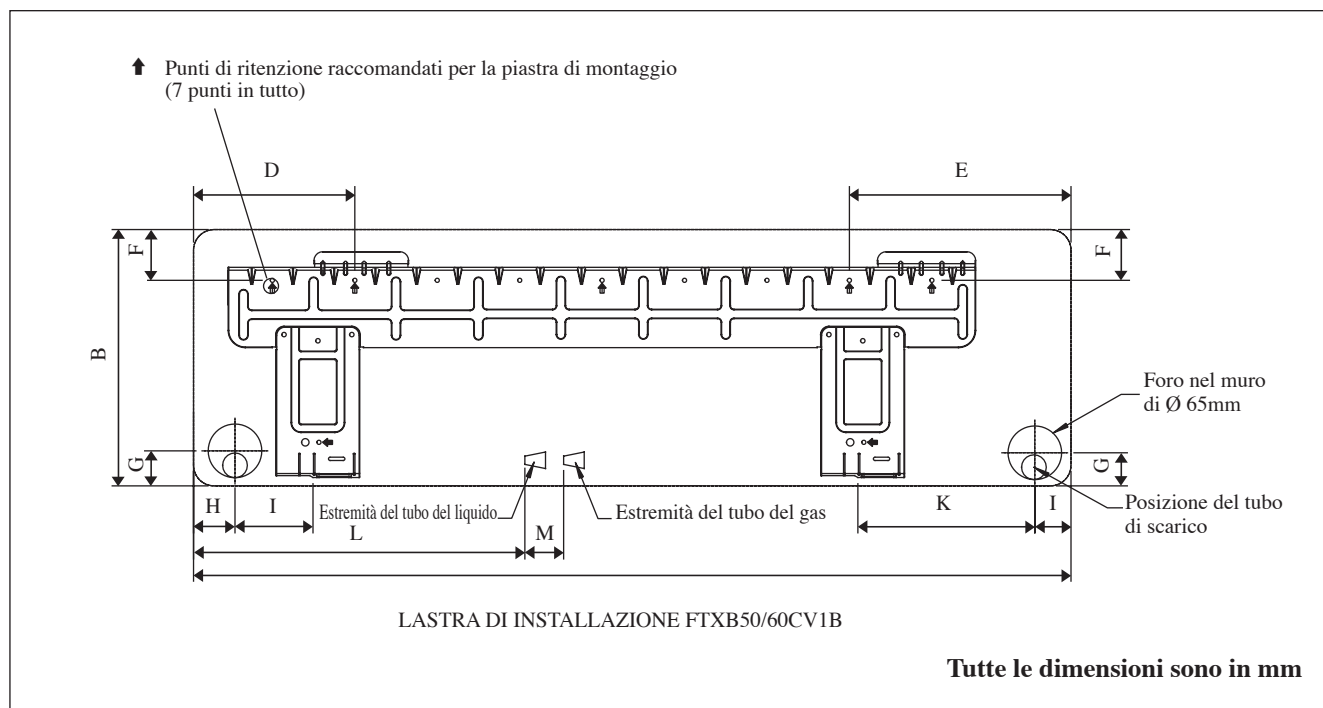
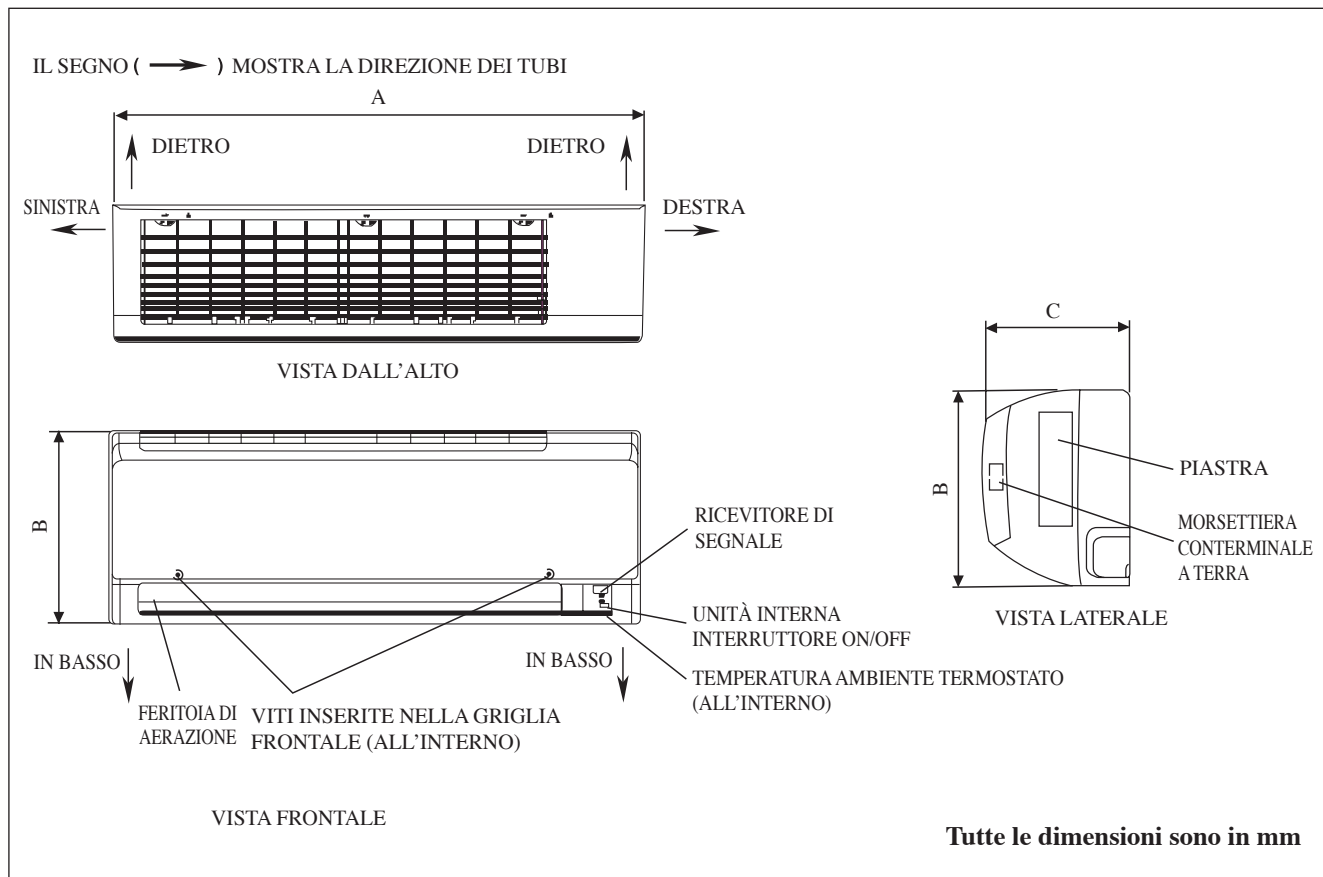
Störung	Ursache / Maßnahme
1. Der Kompressor setzt sich 3 Minuten nach Einschalten des Klimagerätes nicht in Gang.	– Schutzeinrichtung gegen häufiges Anlassen. 3 bis 4 Minuten warten, bevor der Kompressor anläuft.
2. Das Klimagerät funktioniert nicht.	– Stromversorgung fehlerhaft/ggf. Sicherung austauschen. – Netzstecker nicht eingesteckt. – Timer möglicherweise falsch programmiert. – Kann die Störung nach all diesen Abklärungen nicht behoben werden, dann den Installateur des Klimagerätes kontaktieren.
3. Der Luftstrom ist zu schwach.	– Luftfilter verschmutzt. – Die Türen oder Fenster sind geöffnet. – Lufteinlaß bzw. Luftauslaß verstopft. – Regeltemperatur nicht hoch genug.
4. Die ausgeblasene Luft riecht unangenehm.	– Geruchsbildung möglicherweise durch Zigarettenrauch, Parfüm usw. und entsprechenden Ablagerungen am Wärmetauscher.
5. Kondensation am Vordergitter des Innengerätes.	– Bedingt durch Luftfeuchtigkeit nach längerem Betrieb des Gerätes. – Eingestellte Temperatur zu niedrig; Temperatureinstellung erhöhen und das Gerät bei hoher Gebläsedrehzahl laufen lassen.
6. Wasser fließt aus dem Klimagerät.	– Schalten Sie das Gerät aus und wenden Sie sich an Ihren Händler.

**Kann die Störung nicht behoben werden, sollte der örtliche Kundendienst bzw. der Installateur benachrichtigt werden.**



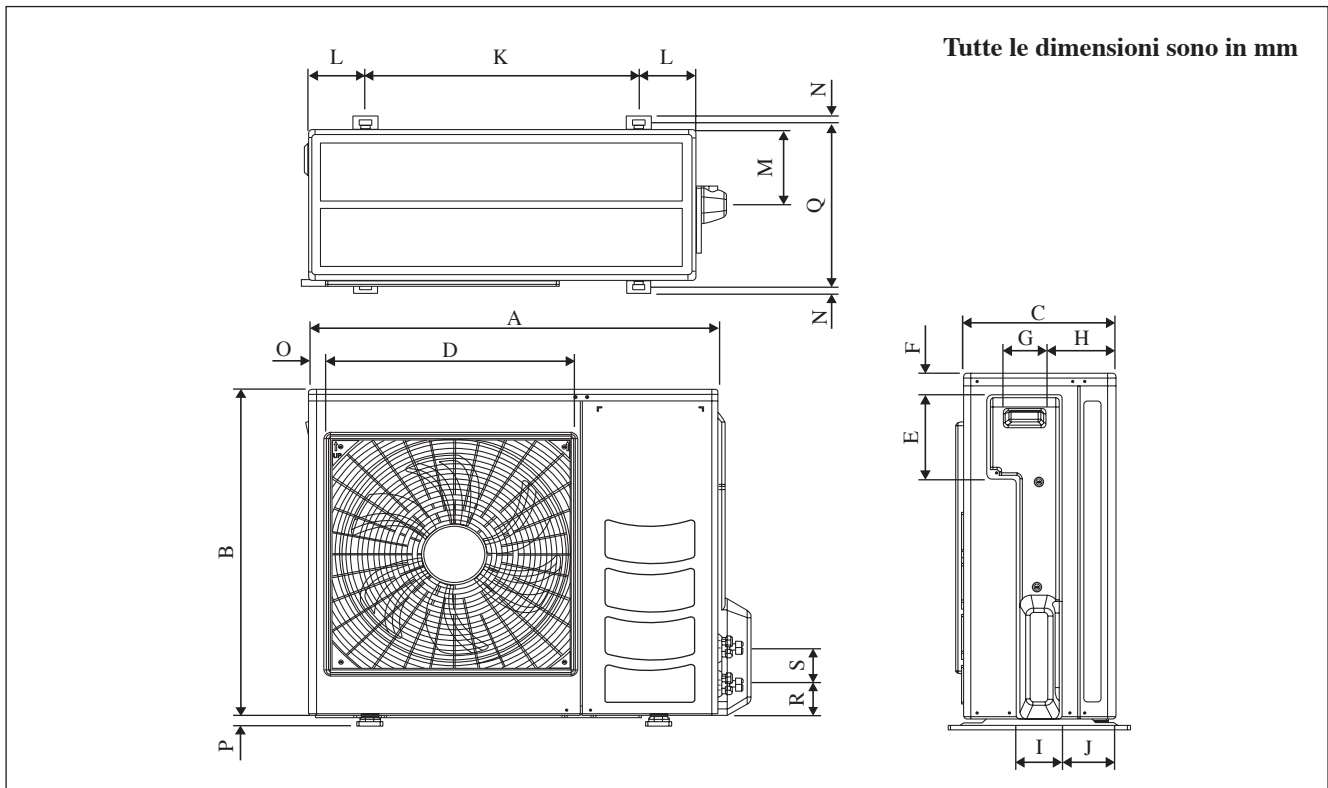
## DISEGNI E DIMENSIONIS

### Unità Interna



Dimensioni	A	B	C	D	E	F	G	H	I	J	K	L	M
Modello													
<b>FTXB50/60CV1B</b>	1065	310	228	190	173	61	40	45	48	91	219	580	45

## Unità Esterna RXB50/60CV1B



Dimensioni Modello	A	B	C	D	E	F	G	H	I	J	K	L	M	N
<b>RXB50/60CV1B</b>	855	730	328	520	179	46	93	149	101	113	603	126	164	15

Dimensioni Modello	O	P	Q	R	S
<b>RXB50/60CV1B</b>	34	23	362	73	75



# MANUALE D'INSTALLAZIONE

Il presente manuale descrive come procedere all'installazione del condizionatore per assicurarne il corretto funzionamento in condizioni di sicurezza.

Degli adattamenti possono rivelarsi necessari per rispondere a particolari esigenze locali.

Prima di utilizzare il condizionatore, leggere attentamente le presenti istruzioni. Conservarle per ogni evenienza futura.

Questo apparecchio è destinato all'uso da parte di persone esperte o formate in negozi, nell'industria leggera o in aziende agricola o all'uso commerciale da parte di persone non addette.

Il presente apparecchio non è destinato all'uso da parte di persone, inclusi bambini, con ridotte capacità fisiche, sensoriali o mentali, o senza la dovuta esperienza e conoscenza, a meno che non vengano poste sotto la supervisione di una persona responsabile della loro sicurezza o che tale persona fornisca loro le istruzioni per l'uso dell'apparecchio.

Tenere i bambini sotto la supervisione di un adulto per evitare che giochino con l'apparecchio.





## NORME DI SICUREZZA

### AVVERTENZA

- L'installazione e la manutenzione devono essere eseguite da personale qualificato, competente in questo genere di apparecchi e al corrente delle leggi e regolamenti in vigore.
- Tutti gli allacciamenti elettrici devono essere eseguiti conformemente alla regolamentazione elettrica in vigore.
- Prima di procedere agli allacciamenti secondo lo schema elettrico presentato più avanti, accertarsi che il voltaggio dell'apparecchio corrisponda a quello della rete.
- Dotare il condizionatore di una presa di TERRA al fine di prevenire i rischi originati da eventuali deficienze del sistema di isolamento.
- Evitare che i fili elettrici tocchino le tubazioni frigorifere o un qualsiasi organo rotante dei motori del ventilatore.
- Prima di installare il condizionatore o di procedere ad interventi di manutenzione, accertarsi che sia spento (OFF).
- Togliete sempre la corrente prima di effettuare la manutenzione del condizionatore.
- NON rimuovere il cavo di alimentazione quando il condizionatore è acceso. Questo può causare seri shock elettrici e pericolo d'incendio.
- Mantenere l'unità interna e quella esterna, il cavo di alimentazione e il cablaggio di trasmissione ad almeno 1m di distanza da TV e radio, per evitare immagini distorte e scariche statiche. (A seconda del tipo e sorgente di onde elettriche, si possono sentire scariche statiche anche a più di 1m di distanza).

### CAUTELA

Durante l'installazione, verificare accuratamente i punti seguenti.

- **Non procedere all'installazione in luoghi dove possano verificarsi fughe di gas.**
  -  Pericolo d'incendio in caso di fughe o di concentrazioni di gas intorno al condizionatore.
- **Verificare che i condotti di drenaggio siano stati correttamente installati.**
  -  Un'installazione incorretta può causare delle perdite d'acqua e danneggiare il mobilio.
- **Non sovraccaricare il condizionatore.**
  - L'apparecchio è precaricato in fabbrica.
  -  Qualsiasi sovraccarico provoca una sovracorrente e può danneggiare il compressore.
- **Dopo l'installazione o gli interventi di manutenzione accertarsi di rimettere a posto il pannello di chiusura.**
  -  Una difettosa chiusura del pannello è causa di rumori durante il funzionamento.
- **I bordi affilati e le superfici della serpentina sono possibili aree che possono causare pericolo di lesioni. Evitare di entrare in contatto con tali aree.**
- **Prima di spegnere l'apparecchio, impostare l'interruttore ON/OFF del telecomando sulla posizione "OFF" in modo da evitare l'apertura nociva dell'unità.** In caso contrario, le ventole dell'unità iniziano a ruotare automaticamente quando si riaccende l'apparecchio, causando pericoli di lesioni al personale di servizio ed agli utenti.
- **Non installare le unità sul vano della porta o nelle sue vicinanze.**
- **Non mettere in funzione apparecchi per il riscaldamento troppo vicini al condizionatore d'aria o non utilizzare l'unità in un ambiente in cui sono presenti olio minerale o vapori da olio, ciò potrebbe provocare la fusione o la deformazione della plastica a seguito del calore eccessivo o di una reazione chimica.**
- **Quando l'unità è utilizzata in cucina, tenere la farina lontana in modo da evitare che l'unità la aspiri.**
- **Questa unità non è idonea all'utilizzo in stabilimenti dove sono presenti nebbie di olio da taglio o polveri metalliche o dove c'è una forte oscillazione di tensione.**
- **Non installare le unità in aree quali le sorgenti calde o le raffinerie petrolifere in cui è presente gas solforoso.**
- **Accertarsi che i colori dei fili dell'unità esterna corrispondano ai contrassegni dei morsetti dell'unità interna.**
- **IMPORTANTE: NON INSTALLARE O UTILIZZARE IL CONDIZIONATORE D'ARIA IN UNA ZONA LAVANDERIA.**
- **Non usare fili congiunti e intrecciati per l'alimentazione in ingresso.**
- **L'apparecchio non è destinato all'uso in un ambiente potenzialmente esplosivo.**

## AVVISO

### Specifiche di smaltimento

Il climatizzatore è contrassegnato con questo simbolo. Ciò significa che i prodotti elettrici ed elettronici non possono essere smaltiti insieme ai rifiuti domestici non differenziati.

Non cercare di demolire il sistema da soli: la demolizione del sistema di condizionamento, nonché il recupero del refrigerante, dell'olio e di qualsiasi altra parte devono essere eseguiti da un installatore qualificato in conformità alla legislazione locale e nazionale vigente in materia.

I climatizzatori devono essere trattati presso una struttura specializzata nel riutilizzo, riciclaggio e recupero dei materiali. Il corretto smaltimento del prodotto eviterà le possibili conseguenze negative all'ambiente e alla salute dell'uomo. Per maggiori informazioni contattare l'installatore o le autorità locali.

Le batterie devono essere tolte dal telecomando e smaltite separatamente conformemente alla legislazione locale e nazionale vigente in materia.



## IMPORTANTE

### Informazioni importanti sul refrigerante utilizzato

Questo prodotto contiene gas fluorurati ad effetto serra.

Non liberare tali gas nell'atmosfera.

Tipo di refrigerante: R410A

Valore GWP <sup>(1)</sup>: 2087,5

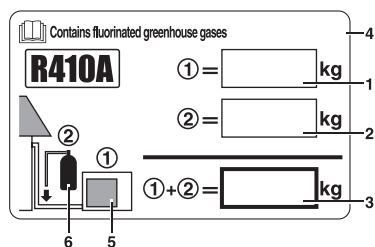
<sup>(1)</sup> GWP = Global Warming Potential (Potenziale Di Riscaldamento Globale)

Compilare con inchiostro indelebile,

- ① la carica di refrigerante di fabbrica del prodotto,
- ② la quantità di refrigerante aggiuntiva nel campo e
- ① + ② la carica di refrigerante totale

sull'etichetta di carica del refrigerante fornita con il prodotto.

L'etichetta compilata deve essere collocata in prossimità della porta di carica del prodotto (ad esempio, all'interno del coperchio di ispezione).



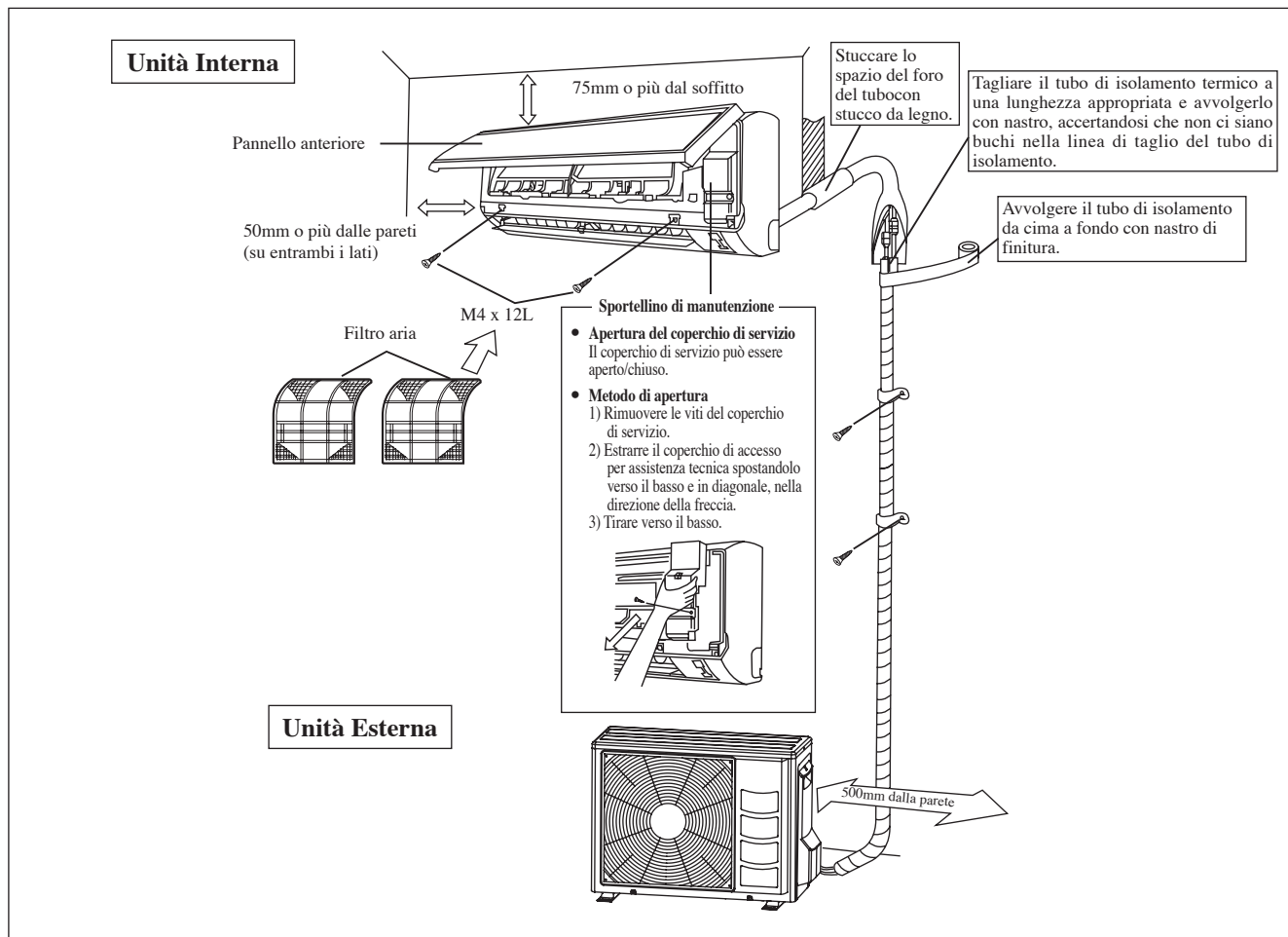
- 1 carica di refrigerante di fabbrica del prodotto:  
vedi targhetta con il nome dell'unità <sup>(2)</sup>
- 2 quantità di refrigerante aggiuntiva nel campo
- 3 carica di refrigerante totale
- 4 contiene gas fluorurati ad effetto serra
- 5 unità esterna
- 6 cilindro del refrigerante e collettore di carica

<sup>(2)</sup> Se sono presenti sistemi con più unità interne, applicare una sola etichetta\*, indicante la carica totale di refrigerante eseguita in fabbrica di tutte le unità interne collegate al sistema refrigerante.

È possibile che siano necessarie ispezioni periodiche per controllare eventuali perdite di refrigerante secondo le normative locali e/o europee. Per informazioni più dettagliate, contattare il rivenditore locale.

\* sull'unità esterna

## DIAGRAMMA PER L'INSTALLAZIONE



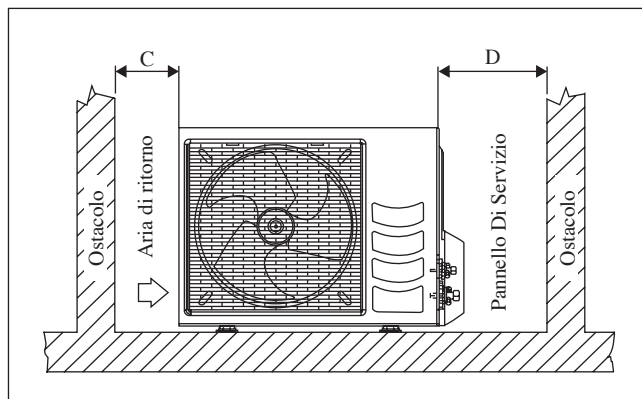
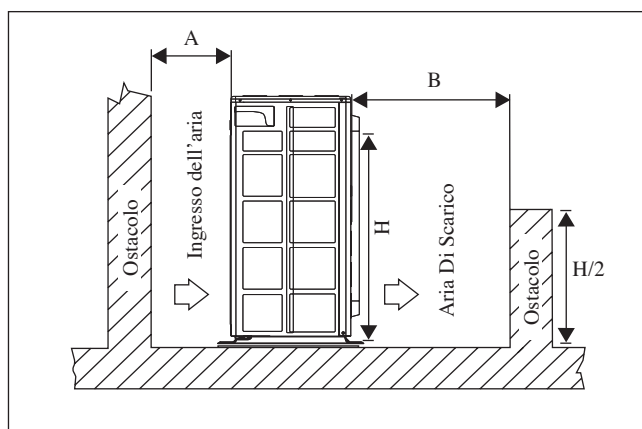
## INSTALLAZIONE DELL'UNITÀ ESTERNA

L'unità esterna deve essere installata in modo tale da prevenire ostruzioni al normale deflusso dell'aria e che la circolazione dell'aria di scarico sia la più ampia possibile. Rispettare, nell'installazione le distanze di sicurezza sotto indicate. Selezionare il luogo più freddo possibile in cui la temperatura dell'aria immessa non sia superiore alla temperatura dell'aria esterna (Fare riferimento alla gamma operativa).

### Distanze di rispetto/sicurezza

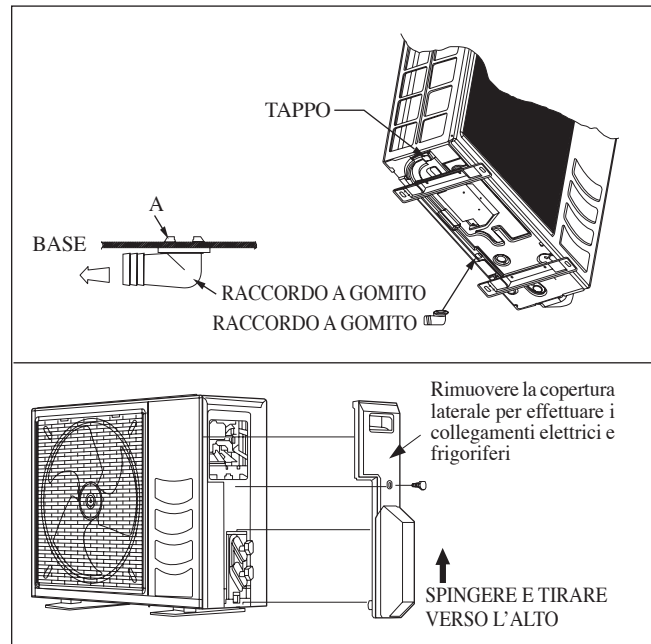
Dimensioni	A	B	C	D
Distanza minima, mm	300	1000	300	500

**Nota:** Se esistono ostacoli di più di 2m di altezza o una qualsiasi ostruzione al di sopra dell'apparecchiatura, aumentare le distanze sopra indicate.



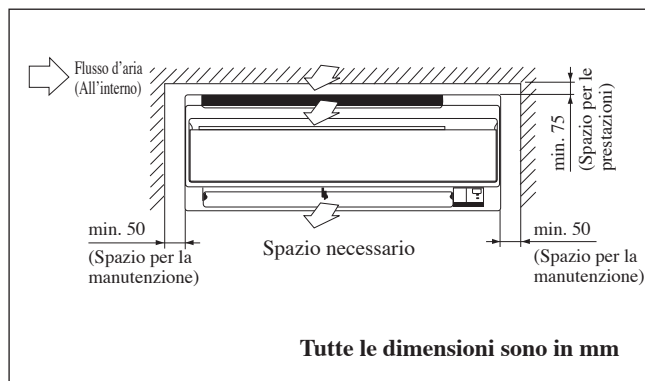
## Eliminazione Acqua Di Condensa Dell'Unità Esterna (Solo Per Le Versioni In Pompa Di Calore)

- Ci sono 2 fori alla base dell'unità esterna per garantire la fuoriuscita dell'acqua. Inserire il raccordo a gomito in uno dei 2 fori.
- Per installare il raccordo a gomito, effettuare le seguenti operazioni: prima inserire una parte del raccordo all'interno del foro (Parte A). Quindi tirare che tra la tubazione e la base dell'unità ci sia una fondere saldamente. Assicurarsi che tra la tubazione e la base dell'unità ci sia una perfetta aderenza.
- Se l'unità esterna è installata in ambienti molto freddi, l'acqua di condensa potrebbe geciare all'interno della base. Per evitarlo, rimuovere il tappo presente nella base per facilitare il deflusso dell'acqua.

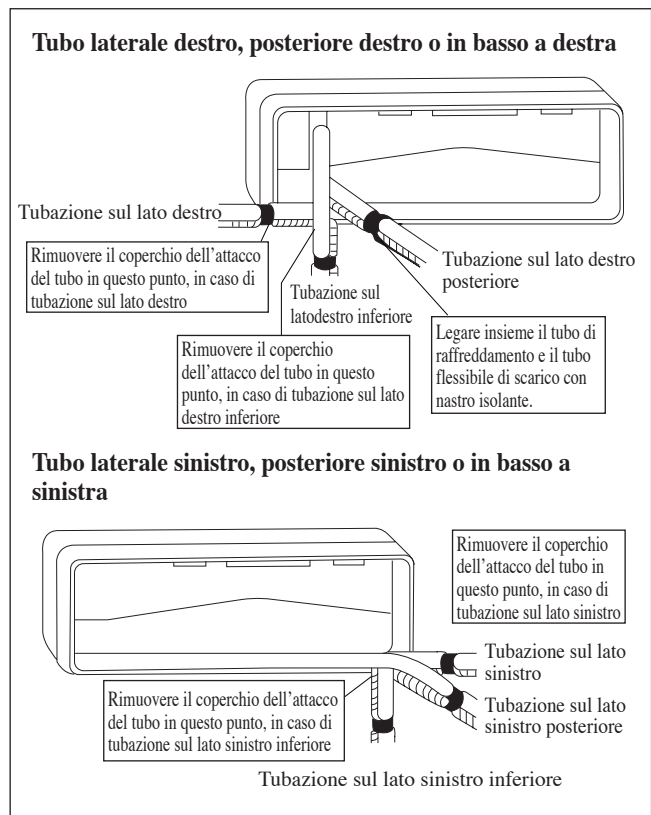


## INSTALLAZIONE DELL'UNITÀ INTERNA

L'unità interna deve essere installata in modo tale da evitare corto circuito l'aria fredda scaricata con l'aria calda di ritorno. Si prega di seguire il gioco installazione mostrata in figura. Installare l'unità interna in modo che non si trovi ad essere direttamente esposta ai raggi del sole o in prossimità di porte e finestre. Questa disposizione è la migliore anche per le tubazioni e il sistema di drenaggio.



Le tubazioni del refrigerante possono essere collegate in differenti modi (lato posteriore destro o sinistro) utilizzando i fori predisposti sul rivestimento esterno. Piegarle accuratamente i tubi nel verso richiesto per condurli al foro appropriato. Per far fuoriuscire il lato e la parte posteriore, tenere il fondo del tubo e posizionarlo nella direzione richiesta. Utilizzando del nastro adesivo, fissarle quindi insieme il tubo di drenaggio.

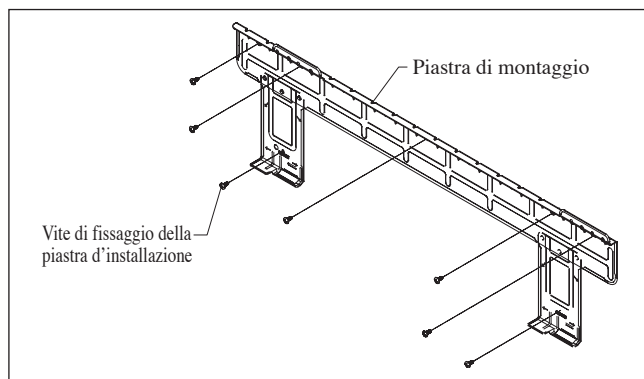


## Montaggio Della Staffa Di Supporto

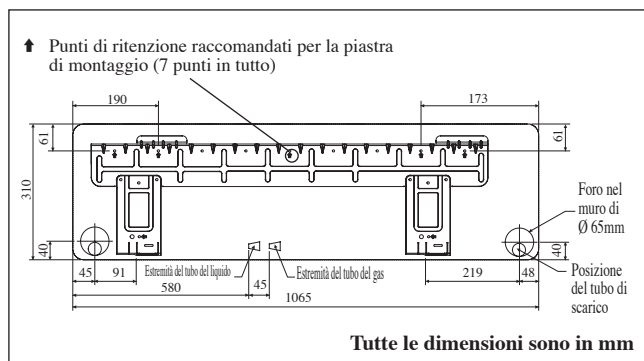
Accertarsi della capacità di tenuta della parete. Se il muro non è in grado di sopportare il peso dell'apparecchio, rinforzarlo con delle piastre o dei pilastri di sostegno.

Usare un indicatore di livello per il montaggio orizzontale e eseguire l'installazione con 7 viti adatte al modello FTXB50/60CV1B.

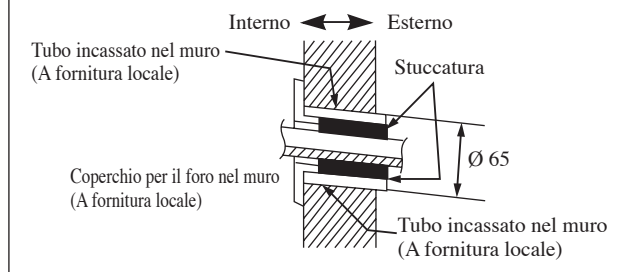
Nel caso in cui le tubazioni posteriori fuoriescano, praticare sul muro un foro di 65mm di diametro servendosi di una perforatrice a cono. Il foro deve presentare all'esterno una leggera inclinatura verso il basso (veder figura).



## Punti Di Fissaggio Della Piastra Di Montaggio E Dimensioni Raccomandate



## Foro Con Perforatrice A Cono



## Montaggio Dell'unità

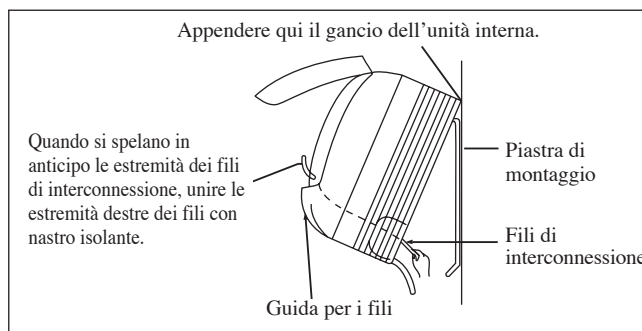
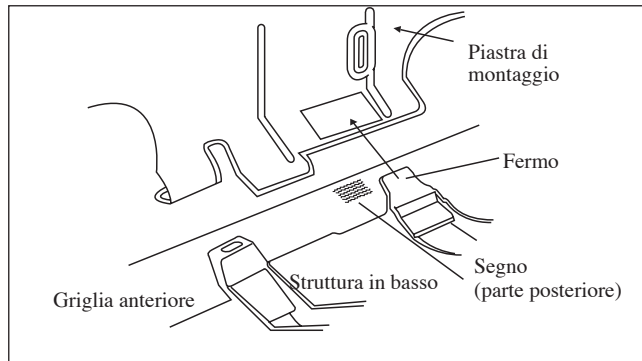
Agganciare l'unità alla parte superiore della staffa (inserire i due ganci posteriori dell'unità negli appositi fori della staffa). Per controllare se gli agganci sono correttamente inseriti nella piastra d'installazione, spostare l'unità leggermente verso destra e sinistra.

## Come Fissare L'unità Interna

Agganciare le griffe del telaio inferiore alla piastra di montaggio.

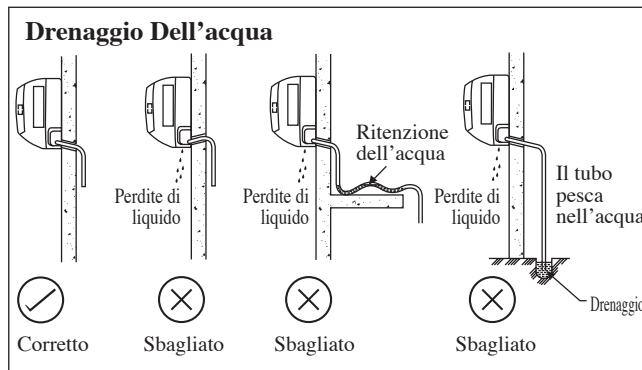
## Come Rimuovere L'unità Interna

Spingere in alto fino all'area contrassegnata (nella parte inferiore della griglia frontale) per rilasciare gli artigli.



## Tubo Di Scarico Condensa

Il tubo di drenaggio interno deve essere posizionato in leggera pendenza per garantirne un buon funzionamento. Evitare condizioni che possono causare perdite d'acqua.



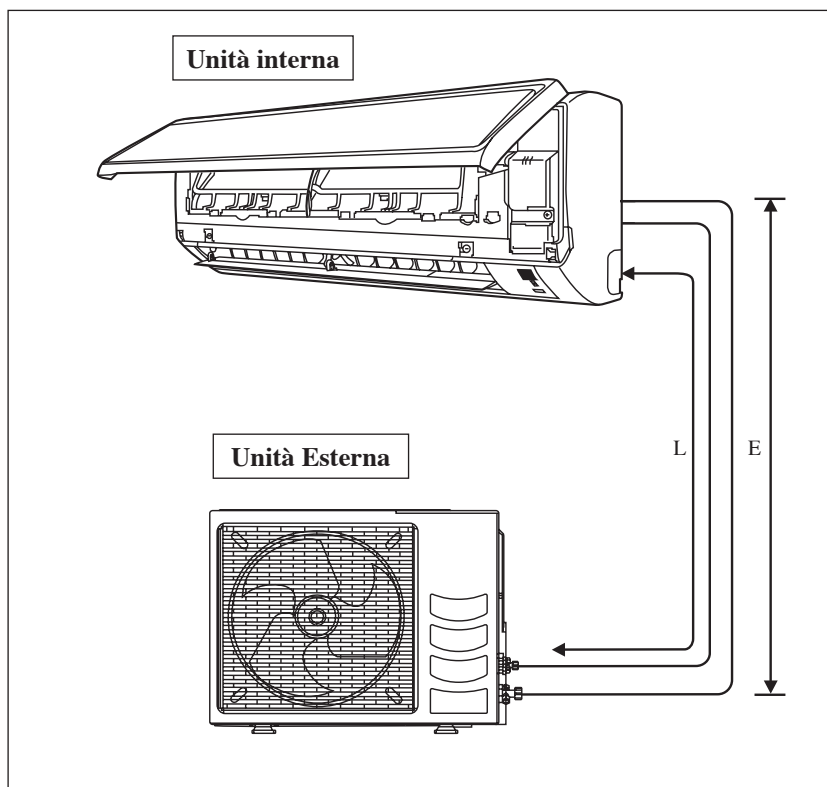
## ⚠ CAUTELA

- Non installare l'unità ad altitudini superiori a 2000m sia per interno che per esterno.

## CONDOTTI DEL REFRIGERANTE

### Lunghezza dei tubi consentita

Se le tubazioni sono troppo lunghe, la capacità e l'affidabilità dell'apparecchio risultano entrambe compromesse. Più grande è il numero dei gomiti, maggiore è la resistenza al flusso del sistema di raffreddamento; così la capacità di raffreddamento diminuisce. Come conseguenza, il compressore potrebbe diventare difettoso. Scegliere sempre il percorso più corto e obbedire le raccomandazioni delle tavole seguenti:





Modello	FTXB50CV1B	FTXB60CV1B
Minima lunghezza consentita (L), m	3	
Massima lunghezza consentita (L), m	30	
Altezza Massima Consentita (E), m	10	
Diametro Tubi Gas, mm/(pollici)	12,70 (1/2")	15,88 (5/8")
Diametro Tubi Liquidi, mm/(pollici)	6,35 (1/4")	

\*Accertarsi di aggiungere la quantità corretta di refrigerante aggiuntivo. In caso contrario si potrebbe riscontrare una riduzione delle prestazioni.

**Attenzione:** Il refrigerante precaricato in fabbrica è calcolato per una tubatura di 7,5m di lunghezza.

### Lunghezza equivalente per il montaggio vari (metri)

Dimensioni Del Tubi	L congiunta	Trappola curva
		
3/8" (OD9,52mm)	0,18	1,3
1/2" (OD12,7mm)	0,20	1,5
5/8" (OD15,9mm)	0,25	2
3/4" (OD19,1mm)	0,35	2,4
7/8" (OD22,2mm)	0,40	3
1" (OD25,4mm)	0,45	3,4
1 1/8" (OD28,6mm)	0,50	3,7
1 3/8" (OD34,9mm)	0,60	4,4

Note:

1. Lunghezza equivalente delle tubazioni è ottenuto con lunghezza effettiva della tubazione gas.

2. 90° curva di tubazione è equivalente a L congiunta.

Qualsiasi operazione di piegatura dei tubi deve essere eseguita a regola d'arte in modo da evitare fessurazioni ai tubi. Per piegare i tubi, utilizzare, ove possibile, l'apposito strumento.

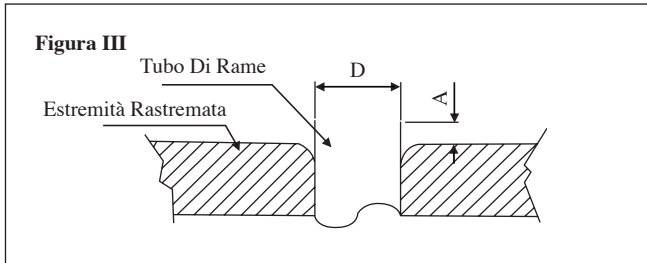
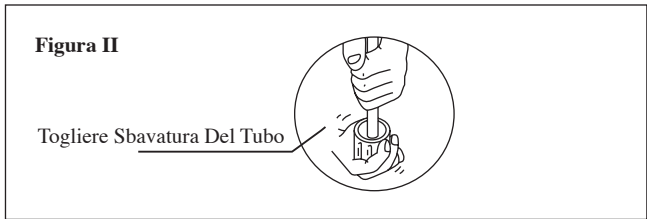
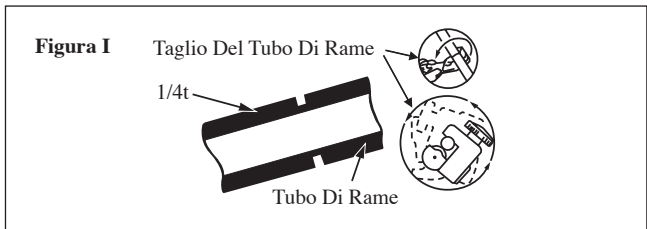
**Meccanica Delle Conduzze E Tecnica Di Svaso**

- Non usare condotti di rame contaminati o danneggiati. Se qualsiasi tubo, evaporatore o condensatore è stato esposto o sia stato aperto per 15 secondi o più, bisogna aspirare l'aria dal sistema. Come regola generale, non rimuovere le parti in plastica, i tappi in gomma e i dadi di ottone da valvole, accessori vari, condutture e serpentini fino a quando non si è pronti a collegare le tubature di aspirazione e dei liquidi alle valvole ed altri accessori.
- Se sono necessari degli interventi di brasatura, assicurarsi di passare l'azoto sul serpentino e sui giunti mentre si esegue l'intervento. Ciò eviterà la formazione di fuliggine sulla parete interna dei tubi di rame.
- Tagliare il tubo con uno secatore in modo progressivo. Un eccesso di forza e un taglio in profondità provocheranno una maggiore distorsione sul tubo e, di conseguenza più bava. Vedere Figura I.
- Utilizzando un punzone, rimuovere le bavature dalle estremità del tubo appena tagliate. Vedere Figura II. Tenere il tubo sopra e il dispositivo di rimozione sotto, per evitare che trucioli metallici entrino nel tubo. Ciò eviterà le irregolarità dello svaso che possono dare origine a fughe di gas.
- Inserire sui tubi di rame i dadi svasati che si trovano sulle bocchette d'ingresso delle unità interna ed esterna.
- La lunghezza esatta di inserimento dello stampo di svaso dipende dall'attrezzo utilizzato per lo svaso. Vedere Figura III.
- Fissare saldamente il tubo allo stampo di svaso. Allineare con cura il mandrino al blocco di stampaggio e stringere a fondo.

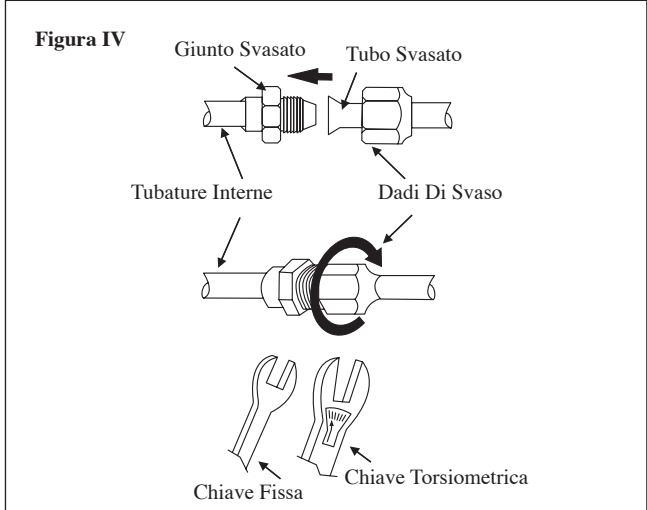
**Collegamento Delle Conduzze Alle Unità**

- Allineare il centro dei tubi e stringere a mano il dado di svasatura quanto basta. Vedere Figura IV.
- A mezzo di una chiave torsiometrica, stringere quindi il dado fino a che si produca lo scatto previsto.
- Durante l'operazione, verificare che la rotazione di serraggio rispetti la direzione indicata dalla freccia della chiave.
- Le connessioni dei tubi del refrigerante sono isolate con poliuretano a cellule chiuse.

Dimensioni Del Tubi, mm (pollici)	Torsione, Nm / (piedi-libre)
6,35 (1/4")	18 (13,3)
12,70 (1/2")	55 (40,6)
15,88 (5/8")	65 (48,0)



Ø Tubo, D		A (mm)	
Pollici	mm	Imperiale (Tipo dado ad alette)	Rigido (Tipo a leva)
1/4"	6,35	1,30	0,70
1/2"	12,70	1,90	1,30
5/8"	15,88	2,20	1,70



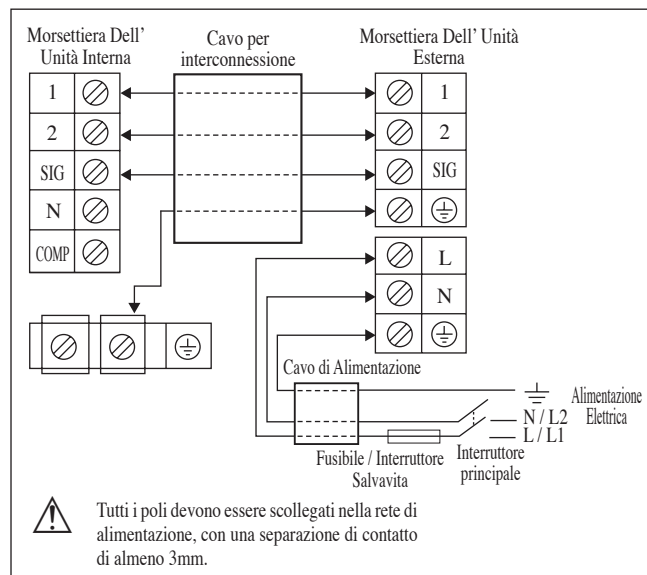
Italiano



## ALLACCIAMENTI ELETTRICI

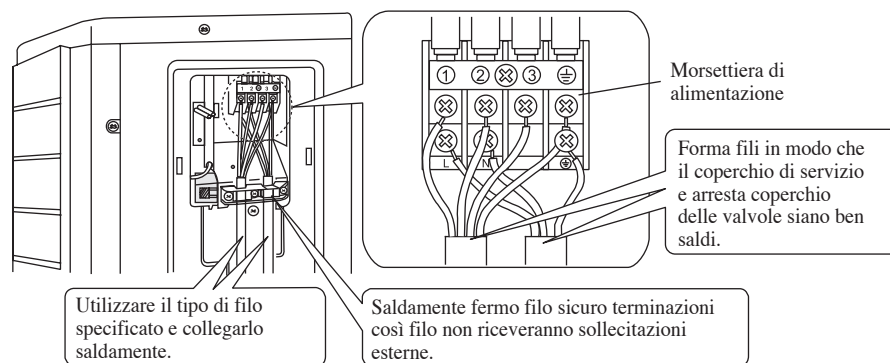
**IMPORTANTE:** \* I valori sopra indicati hanno solo un carattere indicativo. Devono quindi essere verificati e scelti in modo da rispondere alle leggi vigenti e ai regolamenti locali. Inoltre, dipendono dal tipo di impianto e dai conduttori utilizzati.

\*\* L'appropriato intervallo di tensione deve essere confrontato con i dati della targa dell'apparecchio.

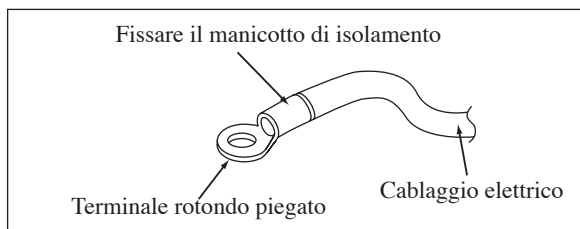


Modello	FTXB50/60CV1B RXB50/60CV1B
Voltaggi ammessi**	220-240V/~50Hz + ⊕
Dimensioni del cavetto di alimentazione* mm <sup>2</sup>	2,5
Numero di conduttori	3
Dimensioni del cavetto di interconnessione* mm <sup>2</sup>	2,5
Numero di conduttori	4
Consigliato fusibile/nominale dell'interruttore A	20

\* If the length of the cable is more than 2m, use cable with bigger size.



- Tutti i fili devono essere collegati saldamente.
- Assicurarsi che tutti i cavi elettrici non vengano a contatto con i tubi del refrigerante, il compressore o qualsiasi parte in movimento.
- Il cavo di collegamento tra l'unità interna e l'unità esterna deve essere fissato usando un aggancio apposito.
- Il cavo di alimentazione deve equivalere ad un minimo di H07RN-F.
- Assicurarsi che non sia esercitata alcuna pressione esterna sui connettori terminali e sui cavi elettrici.
- Assicurarsi che tutti i coperchi siano fissati correttamente per evitare aperture.
- Usare un terminale rotondo piegato per collegare i cavi al blocco terminale di alimentazione. Collegare i cavi secondo le indicazioni presenti sul blocco terminale. (Vedere i diagrammi del cablaggio allegato all'unità).



- Usare il cacciavite corretto per stringere le viti del terminale. Cacciaviti non adatti possono danneggiare la testa della vite.
- Un serraggio eccessivo può danneggiare le viti terminali.
- Non collegare cavi elettrici di misura diversa allo stesso terminale.
- Mantenere la disposizione dei cavi in modo ordinato. Evitare che i cavi elettrici non ostruiscano altre parti e il coperchio della centralina.





## PRECAUZIONI SPECIALI QUANDO SI OCCUPANO DELL'UNITÀ DI R410A

R410A è un nuovo refrigerante di HFC che non danneggia lo strato di ozono. La pressione di funzionamento di questo nuovo refrigerante è 1,6 volte superiore rispetto al refrigerante convenzionale (R22), in tal modo è essenziale un'installazione / manutenzione corretta.

- Mai refrigerante di uso tranne R410A in un condizionatore dell'aria che è destinato per funzionare con R410A.
- L'olio di POE o PVE è usato come lubrificante per il compressore R410A, che è differente dall'olio minerale usato per il compressore R22. Durante installazione o l'assistenza, la precauzione supplementare deve essere presa per non esporre il sistema di R410A troppo lungo ad aria umida. L'olio residuo di POE o PVE nelle condutture e i componenti possono assorbire l'umidità dell'aria.
- Impedire mischarging, il diametro dell'orificio di servizio sulla valvola del chiarore è differente da quello di R22.

- Usi gli attrezzi ed i materiali esclusivamente per il refrigerante R410A. Gli attrezzi esclusivamente per R410A sono valvola molteplice, tubo flessibile caricantesi, manometro, rivelatore della perdita del gas, attrezzi del chiarore, chiave da coppia di torsione, pulsometro e cilindro del refrigerante.
- Poichè un condizionatore dell'aria di R410A subisce l'più alta pressione che le unità R22, è essenziale per scegliere correttamente i tubi di rame. Mai diluente di rame dei tubi dell'utente che 0,8mm anche se sono disponibili nel mercato.
- Se il gas del refrigerante propaga durante l'installazione/servicing, sia sicuro arieggiare completamente. Se il gas refrigerant entra in contatto con fuoco, un gas tossico può accadere.
- Nell'installare o rimuovendo un condizionatore dell'aria, non lasci che l'aria o l'umidità rimanga nel ciclo refrigerant.

## SPURGO E RICARICA

L'intervento di vuoto è necessario per eliminare tutta l'umidità e l'aria presenti nel sistema.

### Aspirazione Delle Tubazioni E Dell'Unità Interna

Fatto salvo per l'unità esterna prevaricata con refrigerante, l'unità interna e le tubature di collegamento del refrigerante devono essere privi d'aria, in quanto l'aria umida che rimane nel ciclo del refrigerante può causare guasti al compressore.

- Rimuovere i tappi della valvola e del porto di servizio.
- Collegare il centro della valvola del collettore alla pompa di estrazione.
- Collegare la valvola del collettore alla bocchetta di servizio della valvola a 3 vie.
- Avviare la pompa di estrazione. Far spurgare per 30 minuti circa. Il tempo di spurgo varia a seconda della capacità della pompa di estrazione. Controllare che l'ago della valvola del collettore si sia portata su -760mmHg.

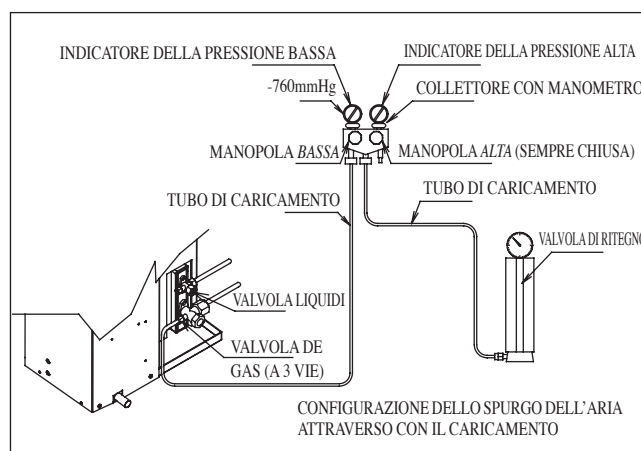
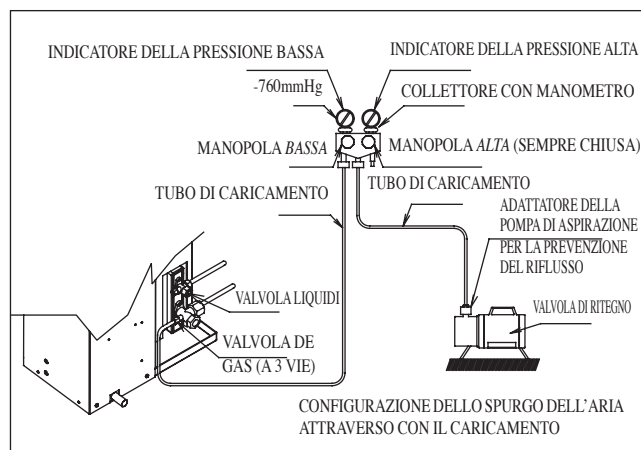
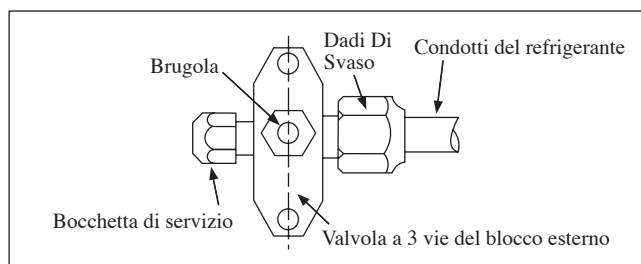
### Cautela

- Se l'ago calibro non si sposta -760mmHg, assicurati di controllare l'assenza di perdite al collegamento dell'unità interna ed esterna di tipo flare e riparare la perdita prima di procedere alla fase successiva.
- Chiudere la valvola del collettore e spegnere la pompa di estrazione.
- Sul blocco esterno, aprire la valvola di aspirazione a (3 vie) e la valvola per il liquido a (2 vie) in senso antiorario con una brugola di 4mm.

### Operazioni Di Carica

Tale operazione deve essere effettuata utilizzando il cilindro del gas e una bilancia di precisione. Il gas refrigerante viene introdotto nell'unità esterna tramite la bocchetta di servizio della valvola aspirante.

- Rimuovere il tappo della bocchetta di servizio.
- Collegare il collettore a bassa pressione alla bocchetta di aspirazione del serbatoio cilindrico e chiudere il collettore ad alta pressione. Spurgare l'aria dal tubo flessibile.
- Mettere in funzione il condizionatore.
- Aprire il cilindro del gas e la valvola del collettore a bassa pressione.
- Quando la quantità richiesta di refrigerante è stata pompata nell'impianto, chiudere la valvola del collettore a bassa pressione e la valvola del cilindro del gas.
- Scollegare il tubo flessibile dalla bocchetta di servizio. Rimettere il tappo della bocchetta di servizio.



## RICARICA ADDIZIONALE

L'unità esterna è provvista di refrigerante, precaricato in fabbrica. Se la lunghezza del tubo è inferiore a 7,5m, quindi a pagamento, dopo aspirazione non è necessario. Se la lunghezza dei condotti è superiore e ai 7,5m, usare il valore di carica addizionale come indicato nella tabella.

### Carica di refrigerante addizionale [g] per la lunghezza di 1m aggiuntivo secondo quanto indicato in tabella

<b>Interna</b>	<b>FTXB50CV1B</b>	<b>FTXB60CV1B</b>
<b>Esterna</b>	<b>RXB50CV1B</b>	<b>RXB60CV1B</b>
<b>Ricarica addizionale [g/m]</b>	20	20

#### Esempio:

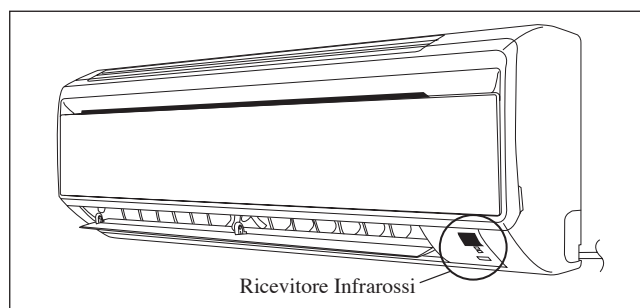
FTXB50CV1B & RXB50CV1B con tubature lunghe 12m, la lunghezza aggiuntiva è 4,5m. Ne consegue che,  
 Ricarica addizionale = 4,5[m] x 20[g/m]  
 = 90,0[g]

## L'INDICATORE ACCENDE

### Ricevitore A Infrarossi

Quando si trasmette un segnale operativo dal telecomando ad infrarossi, il ricevitore di segnali sull'unità interna risponderà nel modo di cui sotto per confermare l'accettazione della trasmissione del segnale.

<b>da ON a OFF</b>	1 Segnale bip lungo
<b>da OFF a ON</b> <b>Pompa non attiva/Potenza di raffreddamento attiva</b>	2 Segnale bip breve
<b>Altri</b>	1 Segnale bip breve



Ricevitore Infrarossi

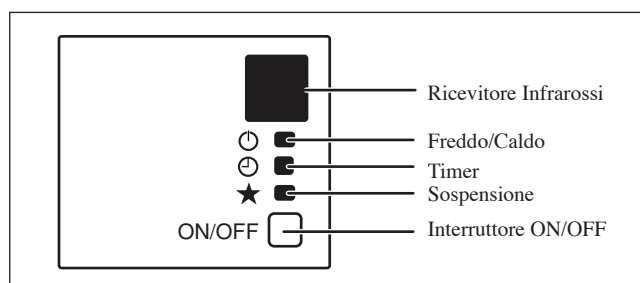
### Unità di raffreddamento / Unità Pompa di Calore

La tabella che segue indica la funzione della diverse spie di controllo del condizionatore come pure gli interventi da effettuare in caso di guasto.

Le luci di indicatore del LED sono situate alla metà dell'unità del condizionatore dell'aria.

I condizionatori provvisti di pompa di calore sono dotati di una modalità automatica che, alternando automaticamente tra modalità "freddo" e "caldo", assicura una temperatura ambiente confortevole, in corrispondenza della temperatura impostata dall'utente.

### Spie luminose "LED" dell'unità di Raffreddamento / Riscaldamento



### Spie Luminose LED : Normale Funzionamento E Guasti Dell'unità Di Raffreddamento/Riscaldamento

	  RAFFREDDI/CALORE (VERDE/ROSSO)		<b>Funzione</b>
	○ VERDE		Modalità di Raffreddamento
	○ ROSSO		Riscaldamento
	○ ROSSO		Riscaldamento automatico
	○ VERDE		Raffreddamento automatico
	○		Accensione temporizzatore
○	○		Accensione modalità riposo
	○ VERDE		Modo Fan inserito
	○ VERDE		Modo Dry inserito
	● ROSSO		Sbrinamento
	● VERDE		Errore dell'unità

○ SU

● Lampeggiante

## FUNZIONAMENTO DEL CONDIZIONATORE D'ARIA

### Modalità Deumidifica

- Quando c'è molta umidità si può attivare la modalità deumidifica. Premere il pulsante <MODE> e scegliere <DRY>.
- Se la temperatura ambiente è più di 2°C/3,6°F superiore alla temperatura impostata, il condizionatore funzionerà in modalità raffreddamento fino a che la differenza tra le due temperature sarà minore di 2°C/3,6°F e poi funzionerà in modalità deumidifica.
- Se la differenza tra la temperatura ambiente e la temperatura impostata è minore di 2°C/3,6°F, il condizionatore funzionerà direttamente in modalità deumidifica.
- In funzione DEUMIDIFICA il condizionatore funzionerà a BASSA velocità.

### Funzione Riscaldamento (solo per i condizionatori provvisti di pompa di calore)

- Quando si avvia il condizionatore inizialmente o dopo il ciclo di sbrinamento, il ventilatore interno si metterà in funzione solo dopo che la batteria ha raggiunto la temperatura desiderata.
- Una volta raggiunta la temperatura desiderata, il ventilatore interno continuerà a funzionare fino a che la batteria è nelle condizioni di fornire calore.

### Controllo Flusso Aria

- Per una più efficace circolazione dell'aria, è possibile aggiustare a mano verso destra o sinistra la griglia di ventilazione.
- Durante il funzionamento in modalità freddo e deumidifica, evitare di dirigere, per un lungo periodo di tempo, l'aletta di ventilazione verso il basso. In caso contrario, è possibile che sulla feritoia si formi della condensa che gocciolerà sul pavimento.

### Velocità Del Ventilatore E Capacità Di Raffreddamento Nominale

- La capacità di raffreddamento nominale è raggiungibile a velocità ALTA del ventilatore.
- La capacità di raffreddamento è minore quando il condizionatore funziona a velocità MEDIA o BASSA.

### Note Sull'angolazione Dei Deflettori E Delle Feritoie Di Ventilazione

- Quando si preme il "tasto OSCILLAZIONE", l'ampiezza dell'oscillazione delle alette dipende dalla modalità di funzionamento. (Si veda la figura.)

### ATTENZIONE

- Per regolare l'angolazione del deflettore usare sempre un telecomando. Se durante l'oscillazione si cerca di spostarlo forzatamente a mano il meccanismo potrebbe rompersi.
- Prestare attenzione durante la regolazione delle feritoie di ventilazione. All'interno dell'uscita dell'aria è presente un ventilatore che ruota a velocità elevata.

### Protezione Contro Il Surriscaldamento (solo per la versione)

- Se la temperatura esterna e/o quella interna sono troppo alte, o se il filtro è sporco e/o intasto, il refrigerante può surriscaldarsi. In questi casi il compressore si spegnerà automaticamente quando la temperatura raggiunge 62°C/143,6°F.

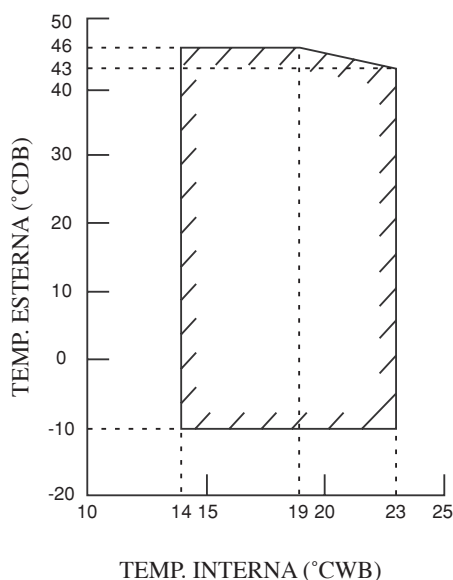
### Prevenzione Brina

- Quando il filtro è sporco, la temperatura di evaporazione diminuisce e causa la formazione di brina.
- Se la temperatura di evaporazione raggiunge -1°C/33,8°F, l'unità scatta.

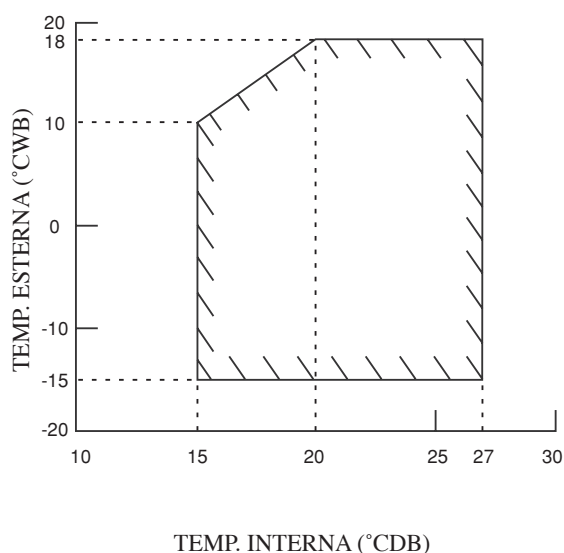
## GAMMA OPERATIVA

Modello: FTXB50/60CV1B  
RXB50/60CV1B

RAFFREDDAMENTO



RISCALDAMENTO



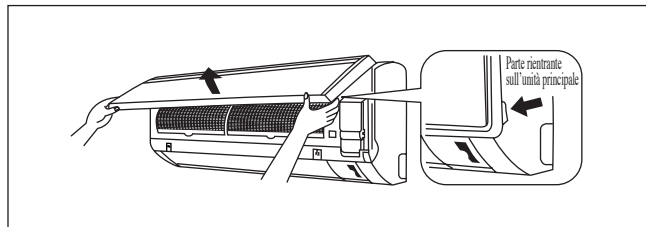
DB: Termometro asciutto

WB: Termometro bagnato

## FILTRI DELL'ARIA

### 1. Aprire il pannello anteriore.

- Tenere il pannello sulle parti rientranti dell'unità principale (2 parti rientranti sui lati destro e sinistro) e sollevarlo finché si blocca.

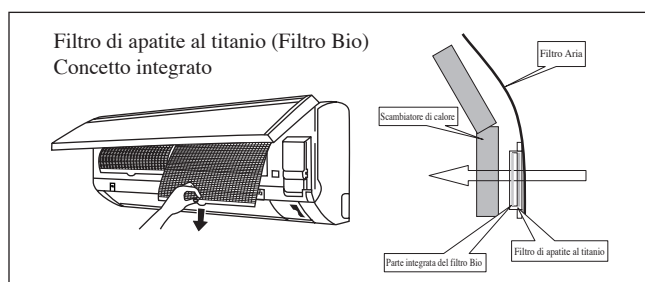


### 2. Estrarre i filtri dell'aria.

- Spingere leggermente le linguette al centro di ciascun filtro dell'aria verso l'alto, quindi abbassarle.

### 3. Rimuovere il filtro Bio con funzioni batteriostatiche, virostatiche.

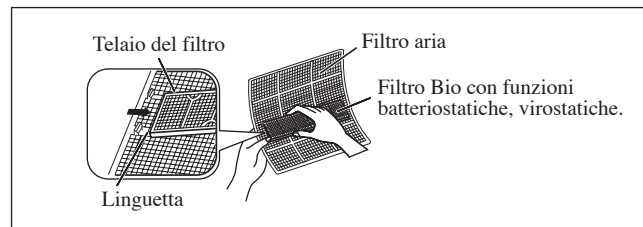
- Afferrare le parti rientranti del telaio e sganciare i 4 ganci.



### 4. Pulire o sostituire ciascun filtro.

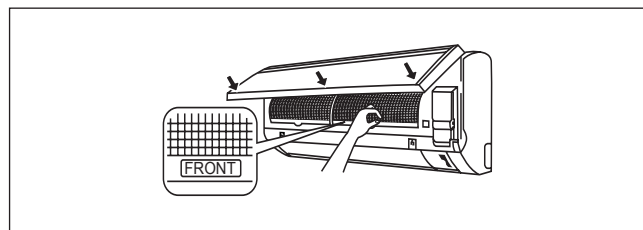
Vedi figura.

- Quando si rimuove l'acqua rimanente, non strizzare il filtro.



### 5. Impostare il filtro dell'aria e il filtro Bio con funzioni batteriostatiche, virostatiche come si trovano e chiudere il pannello frontale.

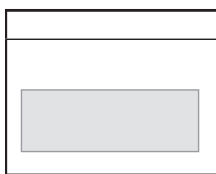
- Inserire i ganci dei filtri nelle asole del pannello anteriore. Chiudere il pannello anteriore lentamente e spingerlo nei 3 punti. (1 su ciascun lato e 1 al centro.)
- Il filtro dell'aria e il filtro Bio con funzioni batteriostatiche, virostatiche hanno una forma simmetrica in direzione orizzontale.



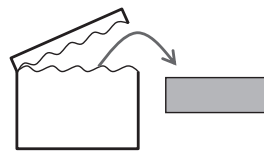
\* Filtro Bio e Filtro Di Apatite Al Titanio sono accessori opzionali.

### Procedura di installazione per il Filtro Bio

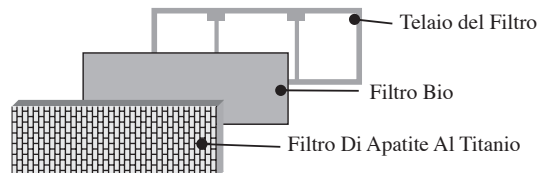
Il Filtro Bio è impacchettato in una busta sigillata ermeticamente.



Tirarlo fuori al momento dell'installazione.



Far scivolare il Filtro tra il telaio del Filtro e il Filtro Di Apatite Al Titanio.



## CAUTELA

- Usare questo Filtro Bio durante le **stagioni secche** come l'inverno.
- **Metodi per conservare, maneggiare e smaltire.**
  - La durata di questo Filtro Bio è di circa un anno dall'apertura della confezione.
  - Nel caso non si usi immediatamente questo filtro Bio, non posizionarlo in luoghi soggetti alla luce diretta del sole, ad alte temperature e/o ad alti tassi di umidità.
  - Possono presentarsi delle lievi differenze tra il colore del Filtro Bio per motivi relativi alla produzione, le prestazioni dell'unità non subiscono alcun effetto.
  - Aprire questa busta subito prima dell'uso. Il Filtro Bio deve rimanere integro e sigillato nella sua confezione fino al momento di usarlo. (Ciò può causare un peggioramento delle prestazioni o una modifica nella qualità.)
  - Per evitare il pericolo di soffocamento e di incidenti imprevisti, gettare via la busta di plastica immediatamente dopo aver rimosso il Filtro Bio. Tenere fuori dalla portata di neonati e bambini.
  - Se questo Filtro Bio viene conservato per lungo tempo, tenerlo sigillato e conservarlo in un luogo fresco, evitando la diretta luce del sole.
  - Dopo l'uso, smaltire il vecchio filtro Bio come rifiuto non infiammabile.
- **Il funzionamento con i filtri sporchi:**
  - (1) impedisce di deodorare l'aria.
  - (2) impedisce di pulire l'aria.
  - (3) causa un riscaldamento o un raffreddamento inadeguati.
  - (4) può causare cattivi odori.
- Per ordinare il Filtro Bio, contattare il negozio di servizio in cui è stato comprato il condizionatore d'aria.

Nota è valida per la Turchia solo: la durata dei nostri prodotti è di dieci (10) anni

Componenti	Procedure Di Manutenzione	Periodo
<b>Filtro dell'aria interno</b>	<ol style="list-style-type: none"> <li>1. Togliere la polvere dal filtro usando un'aspirapolvere o lavarlo in acqua tiepida (sotto ai 40°C/104°F) con detersivo neutro.</li> <li>2. Sciacquare bene e asciugare il filtro prima di rimmetterlo nell'unità.</li> <li>3. Non usare mai benzina o prodotti chimici per pulire il filtro.</li> </ol>	Almeno una volta ogni 2 settimane. Più frequentemente, se necessario.
<b>Unità interna</b>	<ol style="list-style-type: none"> <li>1. Togliere la polvere e la sporcizia dalla griglia e dal pannello, strofinando con un panno soffice imbevuto di acqua tiepida (sotto ai 40°C/104°F) e detersivo neutro.</li> <li>2. Non usare mai benzina o prodotti chimici per pulire l'unità interna.</li> </ol>	Almeno una volta ogni 2 settimane. Più frequentemente, se necessario.

**⚠ CAUTELA**

- Evitare il contatto diretto di detersivi per il trattamento della bobina con parti in plastica. La parte in plastica potrebbe deformarsi come conseguenza della reazione chimica.

**1. Aprire il pannello anteriore.**

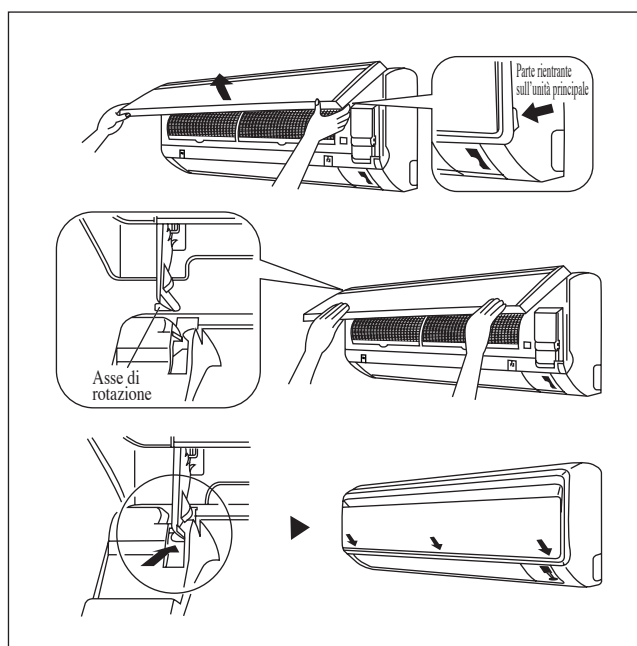
- Tenere il pannello sulle parti rientranti dell'unità principale (2 parti rientranti sui lati destro e sinistro) e sollevarlo finché si blocca.

**2. Rimuovere il pannello anteriore.**

- Sollevando ulteriormente il pannello anteriore, farlo scorrere verso destra e tirarlo in avanti. L'asse di rotazione sinistro viene staccato. Far scorrere l'asse di rotazione destro verso sinistra e tirarlo in avanti per rimuoverlo.

**3. Attaccare il pannello anteriore.**


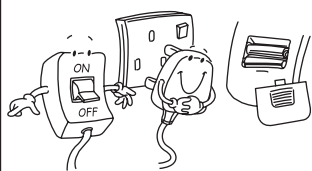
- Allineare gli assi di rotazione destro e sinistro del pannello anteriore con le scanalature e spingerli fino in fondo.
- Chiudere delicatamente il pannello anteriore. (Spingere entrambe le estremità e il centro sul pannello anteriore.)



## CAUTELA

- Non toccare le parti metalliche dell'unità interna. Ciò può causare una lesione.
- Durante la rimozione o il fissaggio del pannello anteriore, sostenerlo saldamente con una mano per evitare che cada.
- Per la pulizia non utilizzare acqua a temperatura superiore a 40°C, benzina, solvente, o altri olii essenziali, composti lucidanti, bruschini o altri materiali duri.
- Dopo la pulizia, accertarsi che il pannello anteriore sia fissato saldamente.

### Quando Non Si Prevede Di Utilizzare Il Condizionatore Per Un Lungo Periodo Di Tempo

<p>Far funzionare il condizionatore per 2 ore nella modalità che segue.</p> <p>Funzione : freddo Temperatura : 30°C/86°F</p>		<p>Disinserire la spina. Se per il condizionatore si utilizza un circuito indipendente, interrompere la corrente di tale circuito. Togliere le pile dal telecomando.</p>	
--	---	--	---

## GUASTI E RIPARAZIONI

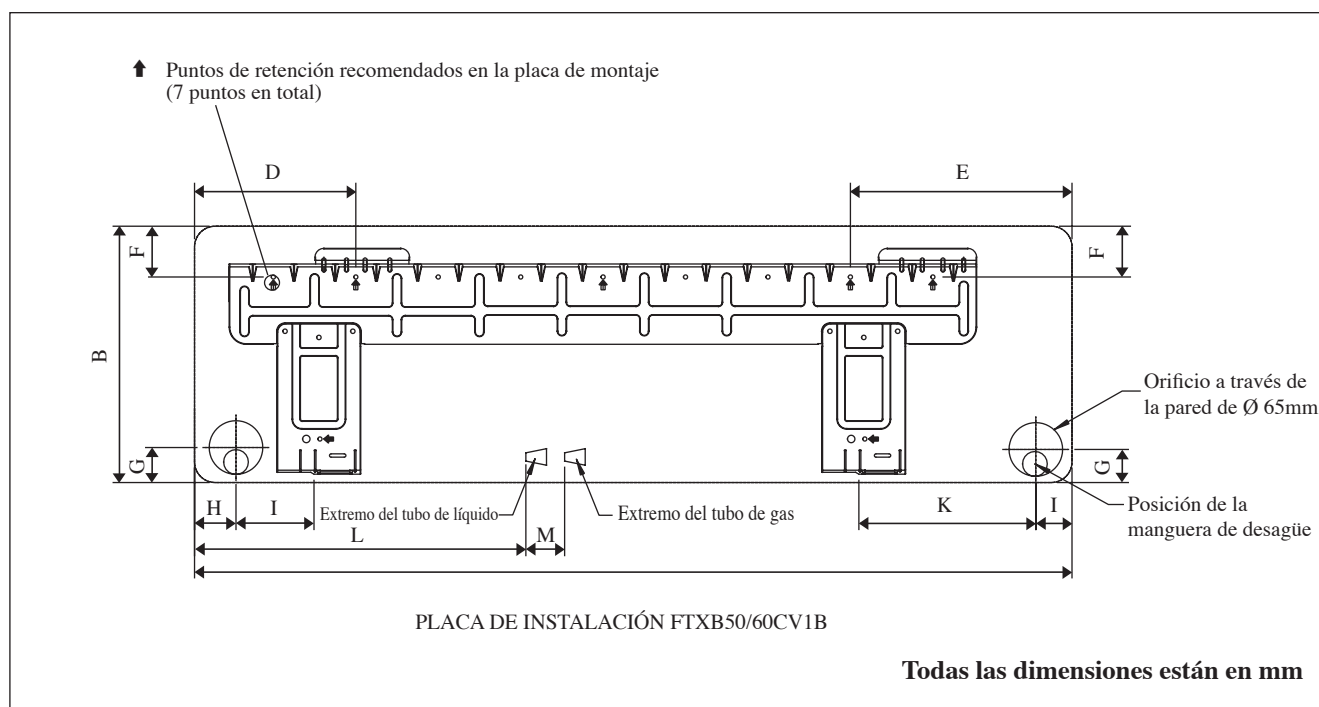
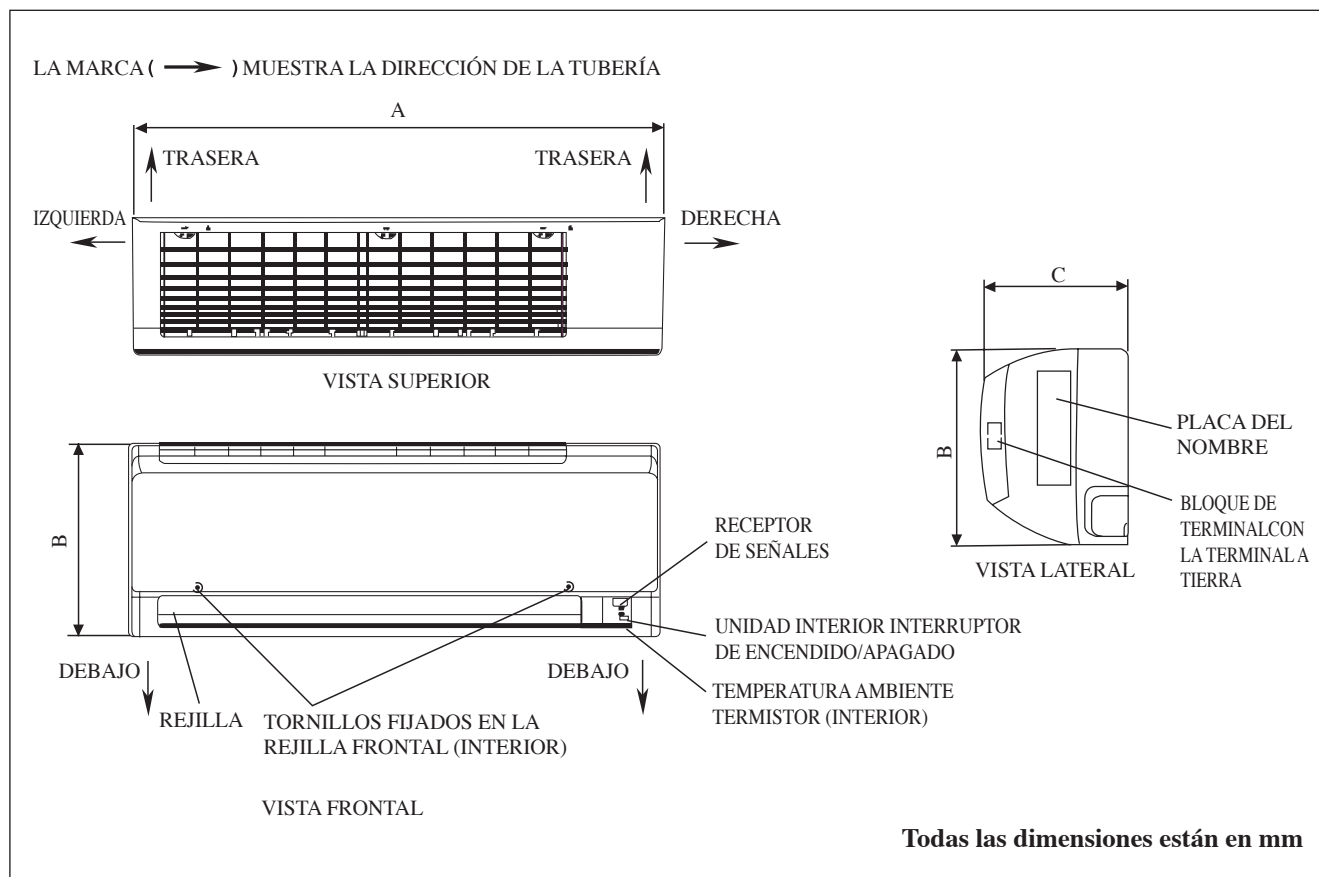
**Per richieste di pezzi di ricambio, contattare il rivenditore autorizzato. Non appena si nota che il condizionatore funziona male, spegnerlo immediatamente. Qui di seguito, sono elencati alcuni guasti minori con le relative cause.**

Guasto	Origine / Azioni
1. Il compressore non si mette in funzione 3 minuti dopo aver acceso il condizionatore.	– Protezione contro gli avvii riavvicinati. Attendere 3 o 4 minuti affinché il compressore si metta in moto.
2. Il condizionatore non funziona.	– Interruzione della corrente o fusibile bruciato. – La spina non è inserita. – L'orario impostato sul timer di ritardo non è corretto. – Se il guasto persiste dopo tutte queste verifiche, contattare l'installatore del condizionatore d'aria.
3. Il flusso d'aria è troppo bassa.	– Il filtro dell'aria è sporco. – Le porte o le finestre sono aperte. – L'aspirazione e lo scarico dell'aria sono ostruiti. – La temperatura impostata non è sufficientemente bassa.
4. L'aria che esce dal condizionatore ha cattivo odore.	– Il cattivo odore può essere causato da sigarette, particelle di fumo, profumi, ecc. depositati sul serpentino.
5. Condensa sulla griglia anteriore di ventilazione dell'unità interna.	– La condensa è dovuta all'umidità dell'aria dopo un lungo periodo di funzionamento. – La temperatura impostata è troppo bassa. Aumentare la temperatura e la velocità della ventola.
6. Acqua sgocciola dal condizionatore.	– Spegnerne l'unità e chiamare il rivenditore.

**Se il guasto persiste, rivolgersi al servizio di assistenza.**

## ESQUEMA Y DIMENSIONES

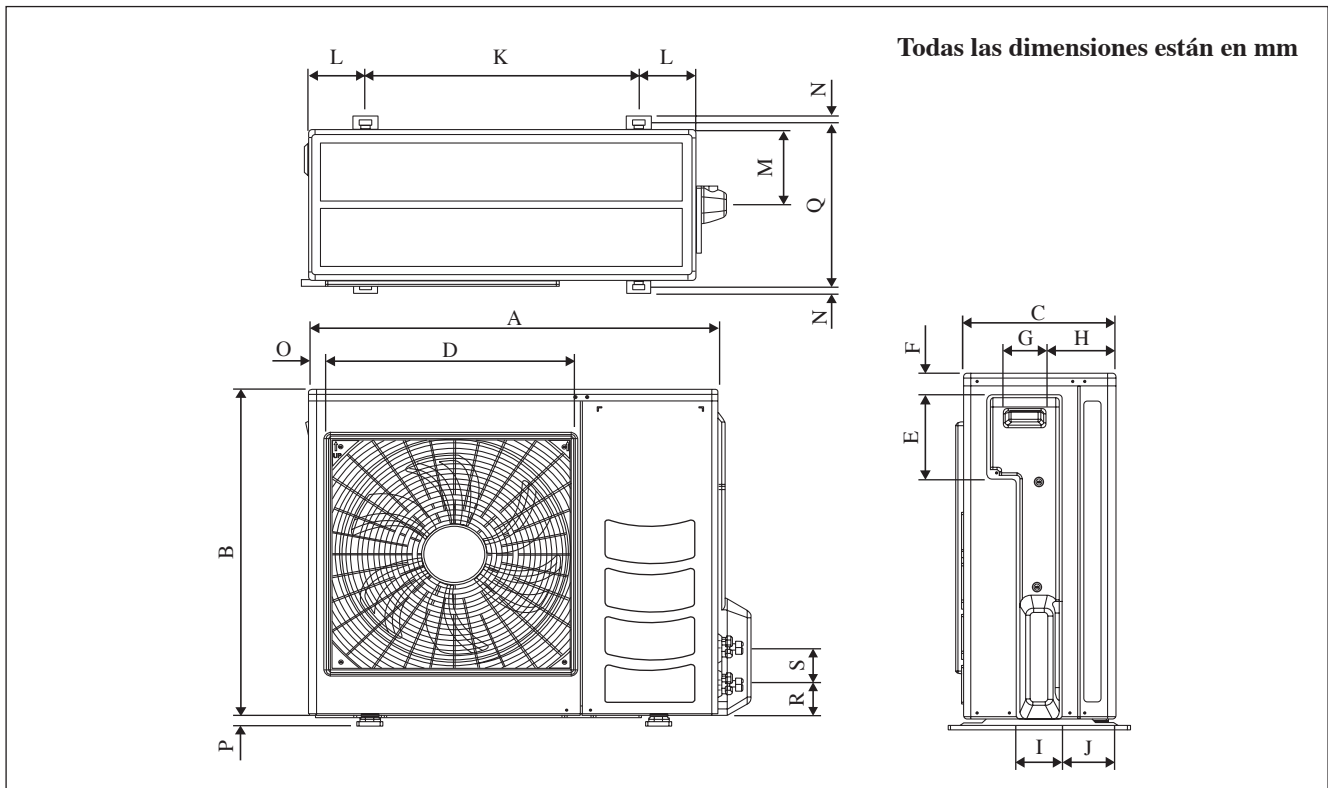
### Unidad interior



Dimensión Modelo	A	B	C	D	E	F	G	H	I	J	K	L	M
<b>FTXB50/60CV1B</b>	1065	310	228	190	173	61	40	45	48	91	219	580	45



## Unidad exterior RXB50/60CV1B



Dimensión / Modelo	A	B	C	D	E	F	G	H	I	J	K	L	M	N
<b>RXB50/60CV1B</b>	855	730	328	520	179	46	93	149	101	113	603	126	164	15

Dimensión / Modelo	O	P	Q	R	S
<b>RXB50/60CV1B</b>	34	23	362	73	75



# MANUAL DE INSTALACIÓN

Este manual facilita instrucciones de instalación que garantizan un seguro y buen funcionamiento de la unidad de aire acondicionado.

Es posible que sea necesario realizar un ajuste especial para adecuarse a los requisitos locales.

Por favor, antes de usar su equipo de aire acondicionado, lea cuidadosamente este manual de instrucciones, y consérvelo para futuras consultas.

Este aparato está diseñado para ser utilizado por especialistas o usuarios formados, en tiendas, industria ligera y en granjas, o para uso comercial por personas no expertas.

Este equipo no está previsto para ser utilizado por personas con discapacidades físicas, sensoriales o psicológicas, incluyendo a los niños, al igual que personas sin experiencia o conocimientos necesarios para ello, a menos que dispongan de una supervisión o instrucciones sobre el uso del equipo proporcionadas por una persona responsable de su seguridad.

Deberá vigilarse a los niños para evitar que jueguen con el aparato.

## PRECAUCIONES DE SEGURIDAD

### ⚠️ ADVERTENCIA

- La instalación y el mantenimiento deben ser realizados por personas calificadas que estén familiarizadas con el código y los reglamentos locales y que tengan experiencia en este tipo de equipo.
- Todo el cableado de campo debe instalarse de acuerdo al reglamento de cableado nacional.
- Antes de comenzar la instalación eléctrica de acuerdo con el diagrama de cableado, asegúrese de que el voltaje nominal de la unidad se corresponde con el de la placa de identificación.
- La unidad debe estar PUESTA A TIERRA para evitar posibles peligros debidos a fallas del aislamiento.
- Ningún cable eléctrico debe tocar el conducto de refrigeración ni ninguna parte móvil de los motores de ventilación.
- Antes de iniciar la instalación o reparación de la unidad, asegúrese de que ha sido apagada (OFF).
- Desconéctela de la fuente de energía principal antes de una revisión de la unidad de acondicionador de aire.
- NO tire del cable de energía cuando esté en funcionamiento. Esto puede causar serias descargas eléctricas que pueden resultar en riesgo de incendio.
- Mantenga las unidades interiores y exteriores, el cable de corriente y el cableado de transmisión, como mínimo a 1 metro de las TVs y radios, para evitar imágenes distorsionadas y estáticas. {Según el tipo y fuente de las ondas eléctricas, puede que oiga ruidos incluso a más de 1 metro}.

### ⚠️ PRECAUCIÓN

Asegúrese de seguir durante la instalación los siguientes puntos importantes.

- **No instalar la unidad ahí donde pueda haber fuga de gas inflamable.**
  - ⊘ Si el gas se escapa y se acumula alrededor de la unidad, podría iniciarse un incendio.
- **Asegúrese de que la tubería de desagüe está conectada correctamente.**
  - ⚠️ Si la tubería de desagüe no está conectada correctamente se puede producir una fuga de agua que mojaría los muebles.
- **No sobrecargar la unidad.**
  - ⊘ Esta unidad está pre-cargada en fábrica. Su sobrecarga ocasionará sobre-corriente o rotura del compresor.
- **Asegúrese de que el panel de la unidad vuelve a cubrirla bien colocado o de cualquier reparación.**
  - ⚠️ Un panel mal sujetado hará que la unidad haga ruido al funcionar.
- **Los extremos afilados y superficies de la bobina son lugares potenciales que podrían provocar peligro de lesiones. Evite todo contacto con estas partes.**
- **Antes de desenchufar la fuente de energía, coloque el interruptor de control remoto ON/OFF en posición "OFF" para impedir la molesta activación de la unidad.** Si no es así, los ventiladores de la unidad empezarán a girar automáticamente cuando se restablezca la corriente, significando un peligro para el personal técnico o para el usuario.
- **No instale las unidades en o cerca de la puerta.**
- **No opere aparatos de calor cerca de la unidad de aire acondicionado ni los utilice en una habitación donde haya aceite mineral, vapor de aceite ya que eso puede provocar que una pieza de plástico se derrita o deforme como resultado del calor excesivo o de una reacción química.**
- **Cuando la unidad se utilice en la cocina, evite que entre harina en la zona de aspiración de la unidad.**
- **Esta unidad no es adecuada para su uso en fábricas donde haya niebla de aceite cortante o haya polvo de acero o en zonas donde el voltaje fluctúe mucho.**
- **No instale las unidades en un lugar como un muelle caliente o una planta refinadora de petróleo donde haya gases sulfúricos.**
- **Asegúrese de que el color de los cables de la unidad exterior y de las marcas de la terminal son iguales a los de la unidad interior respectivamente.**
- **¡IMPORTANTE: NO INSTALE O UTILICE LA UNIDAD DE AIRE ACONDICIONADO EN UNA HABITACIÓN DE LAVANDERÍA.**
- **No utilice cables con líos o juntas para la alimentación entrante.**
- **El equipamiento no es aplicable para un ambiente potencialmente explosivo.**

## AVISO

### Requisitos para la eliminación

Su acondicionador de aire está marcado con este símbolo. Esto significa que los productos eléctricos y electrónicos no deben mezclarse con el resto de residuos domésticos no clasificados.

No intente desmontar el sistema usted mismo: el desmantelamiento del acondicionador de aire, así como el tratamiento del refrigerante, aceite y otros componentes, debe ser efectuado por un instalador competente de acuerdo con las normas locales y nacionales aplicables.

Los acondicionadores de aire deben ser tratados en instalaciones especializadas para su reutilización, reciclaje y recuperación. Al asegurarse de desechar este producto de la forma correcta, está contribuyendo a evitar posibles consecuencias negativas para el entorno y para la salud de las personas. Contacte, por favor, con el instalador o con las autoridades locales para obtener más información.

Las pilas del control remoto deben extraerse y eliminarse por separado y de acuerdo con la normativa local y nacional aplicable.



## IMPORTANTE

### Información importante en relación al refrigerante utilizado

Este producto contiene gases fluorados de efecto invernadero.

No vierta gases a la atmósfera.

Tipo de refrigerante: R410A

Valor GWP <sup>(1)</sup>: 2087,5

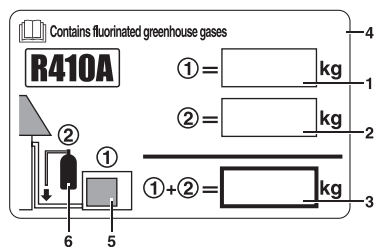
<sup>(1)</sup> GWP = Global Warming Potential (Potencial De Calentamiento Global)

Rellene con tinta indeleble,

- ① la carga de refrigerante de fábrica del producto,
- ② la cantidad adicional de refrigerante cargado en campo y
- ① + ② la carga total de refrigerante

en la etiqueta de carga de refrigerante suministrada con el producto.

La etiqueta rellena debe pegarse cerca de la conexión de carga del producto (p.ej. al dorso de la tapa de servicio).



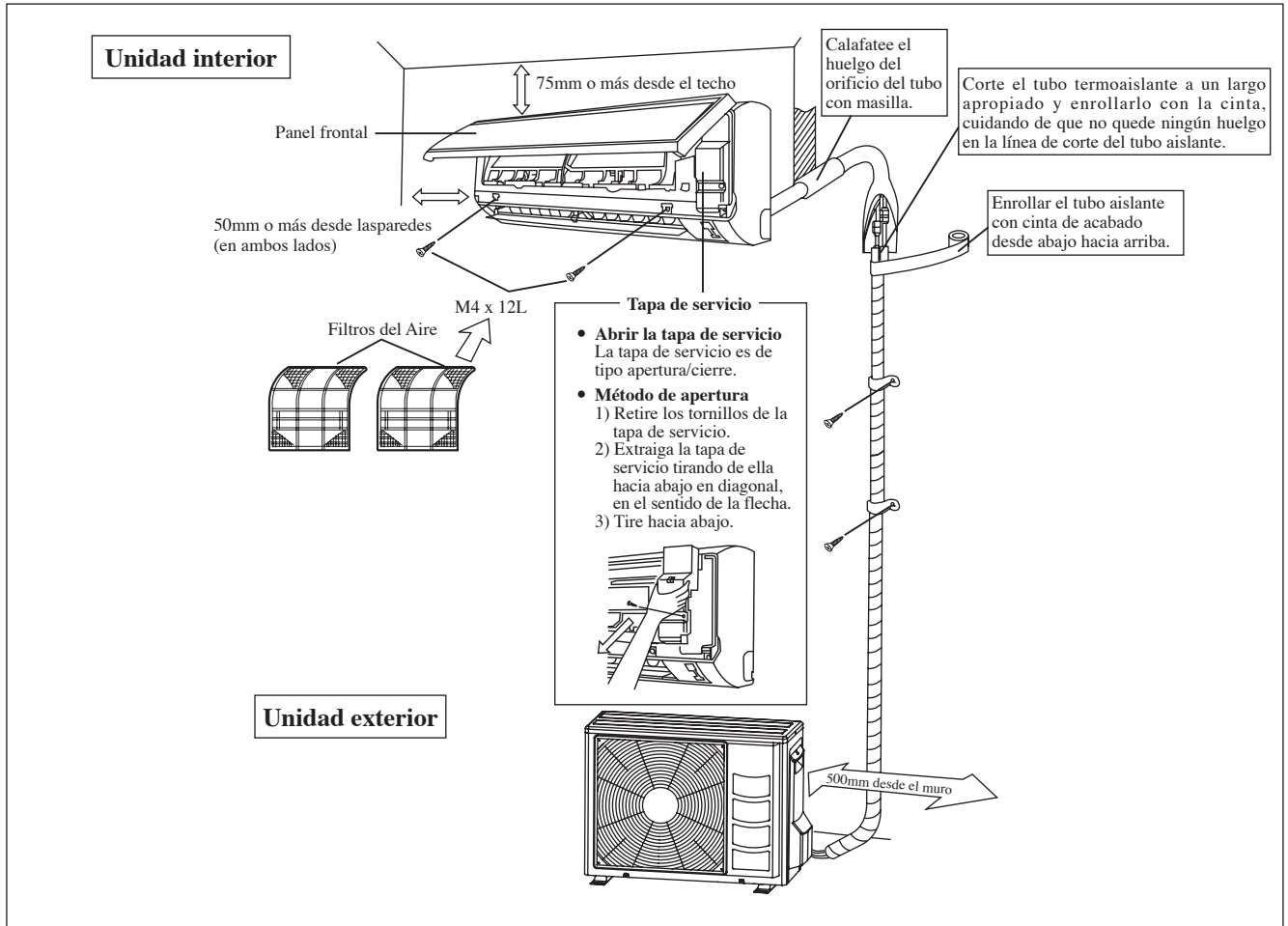
- 1 carga de refrigerante de fábrica del producto:  
véase placa de especificaciones técnicas de la unidad <sup>(2)</sup>
- 2 cantidad adicional de refrigerante cargado en campo
- 3 carga total de refrigerante
- 4 contiene gases fluorados de efecto invernadero
- 5 unidad exterior
- 6 cilindro del refrigerante y dosificador de carga

<sup>(2)</sup> En el caso de sistemas de múltiples unidades interiores, sólo debe pegarse 1 etiqueta\*, en la cual debe figurar la carga total de refrigerante de fábrica de todas las unidades de interior conectadas en el sistema refrigerante.

Puede ser necesario realizar inspecciones periódicas para localizar fugas de refrigerante, dependiendo de la legislación europea o local vigente. Contacte, por favor, con su distribuidor local para obtener más información.

\* en la unidad exterior

## DIAGRAMMA DE LA INSTALACIÓN



Español

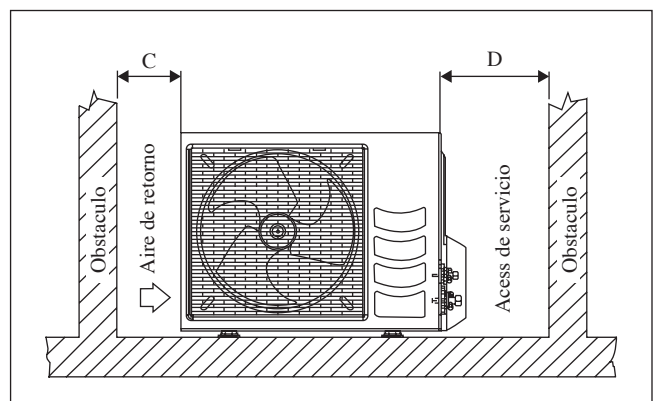
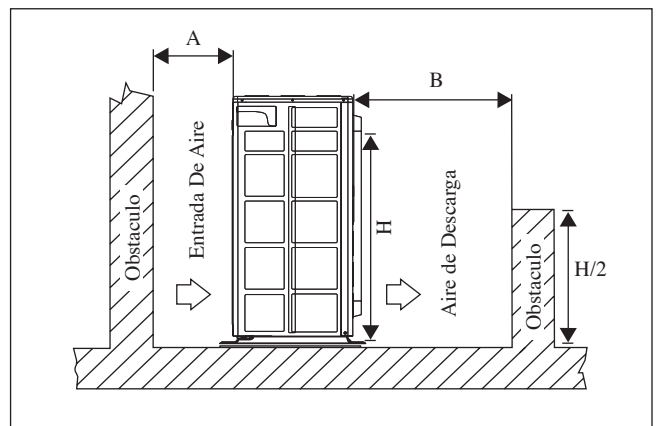
## INSTALACIÓN DE LA UNIDAD DE EXTERIOR

La unidad exterior se ha de instalar de tal modo que evite cortocircuitos del aire caliente descargado o obstrucción del flujo de aire suave. Por favor, siga el espacio proporcionado para la instalación tal y como se indica en el gráfico. Seleccione el lugar más frío posible donde el aire de entrada no sea superior a la de la temperatura exterior (consulte el rango operativo).

### Espacio libre de instalación

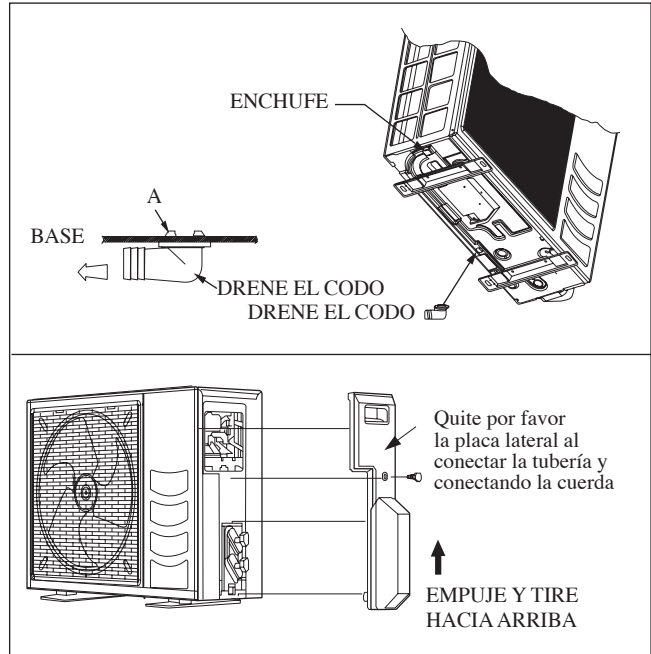
Dimensión	A	B	C	D
Distancia mínima, mm	300	1000	300	500

**Nota:** Si hubiese algún obstáculo de más de 2m de altura o cualquier obstrucción en la parte superior de la unidad, dejar más espacio que el indicado en la tabla anterior.



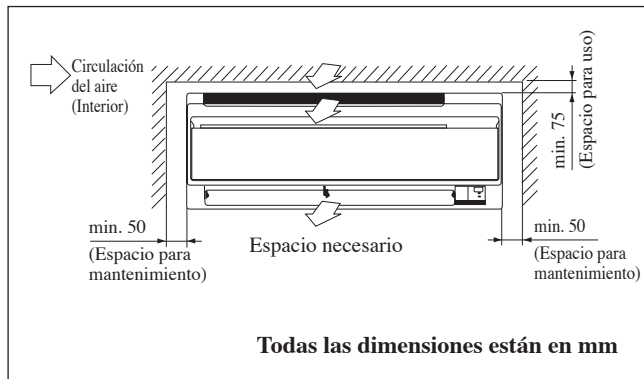
## Disposición Condensada Del Agua De La Unidad Al Aire libre (Unidad De La Pompa De Calor Solamente)

- Hay 2 agujeros en la base de la unidad al aire libre para que el agua condensada fluya hacia fuera. Inserte el codo del dren a uno de los agujeros.
- Para instalar el codo del dren, primer relleno una porción del gancho a la base (porción A), entonces tirar del codo del dren en la dirección demostrada por la flecha mientras que inserta la otra porción a la base. Después de la instalación, cheque para asegurarse de que el codo del dren se aferre en la base firmemente.
- Si la unidad está instalada en un nevoso y chily un área, el agua condensada puede congelar en la base. En tal caso, quite por favor el enchufe en el fondo de la unidad para alisar el drenaje.



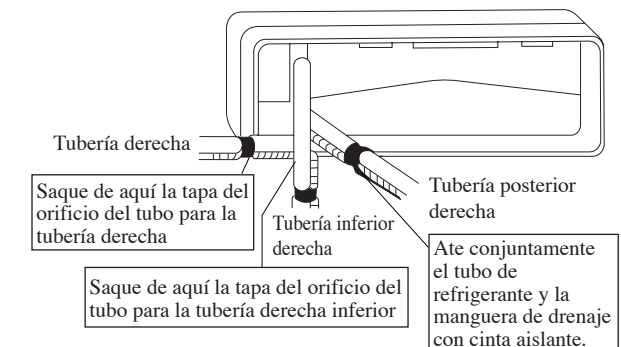
## INSTALACIÓN DE LA UNIDAD INTERIOR

La unidad de interior debe estar instalada de modo que el aire de descarga frío no entre en contacto con el aire de retorno caliente. Por favor, siga el espacio proporcionado para la instalación tal y como se indica en el gráfico. No colocar la unidad de interior donde le caiga la luz del sol directamente. El emplazamiento debe ser adecuado para las tuberías y la evacuación y debe estar lejos de la puerta o ventana.

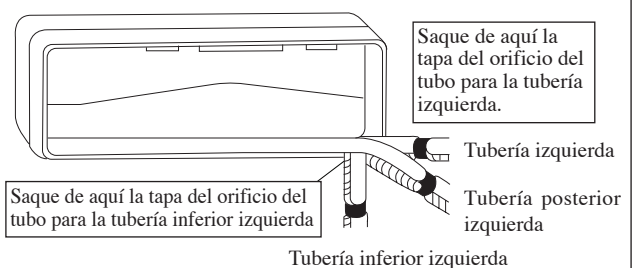


La tubería de refrigerante se puede dirigir hasta la unidad de varias maneras (izquierda o derecha detrás de la unidad), usando los agujeros recortados en la caja de la unidad (véase la figura). Doblar cuidadosamente las tuberías hasta la posición requerida para alinearlas con el agujero. Para la extracción inferior y lateral, sujetar la parte inferior de la tubería y fijar la dirección (véase la figura). La manguera de desagüe de condensación debe ser fijada con cinta a las tuberías.

### Tubería lateral derecha, trasera derecha o inferior derecha



### Tubería lateral izquierda, trasera izquierda o inferior izquierda

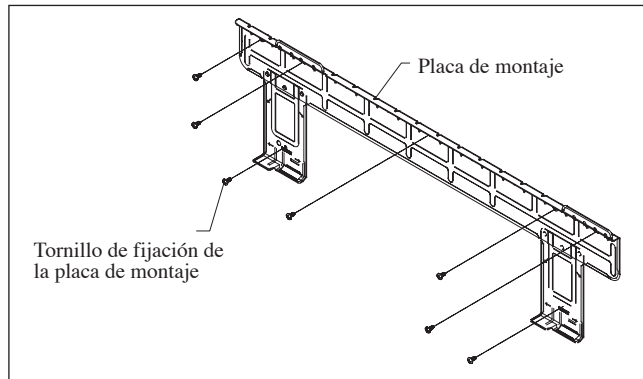


## Montaje De La Placa De Instalación

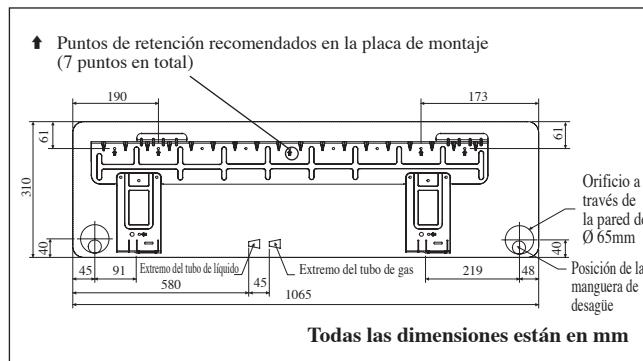
Verificar que la pared es lo suficientemente sólida como para soportar el peso de la unidad. Si no es así, se debe reforzar la pared con placas, vigas o pilares.

Utilice el calibrador de nivel para el montaje horizontal y fije con 7 tornillos adecuados para FTXB50/60CV1B.

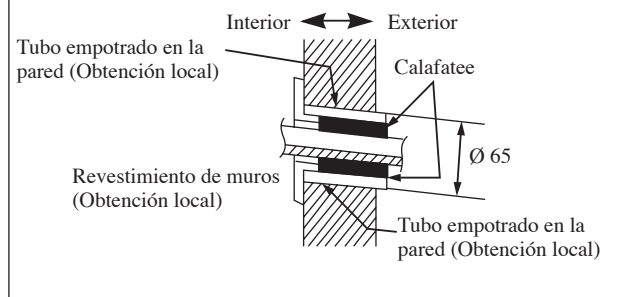
En caso de retracción de la tubería trasera, perforar un agujero de 65mm de diámetro con una broca cónica, ligeramente más bajo en la pared externa (véase la figura).



## Medidas Y Espacios De Retención De Placa De Montaje Recomendados



## Agujero Con Broca De Cono



## Montar La Unidad En La Placa De Instalación

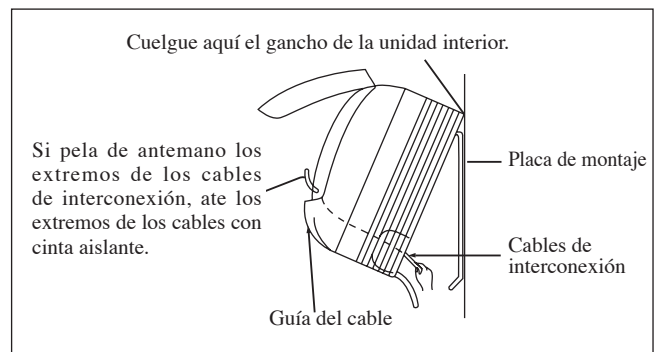
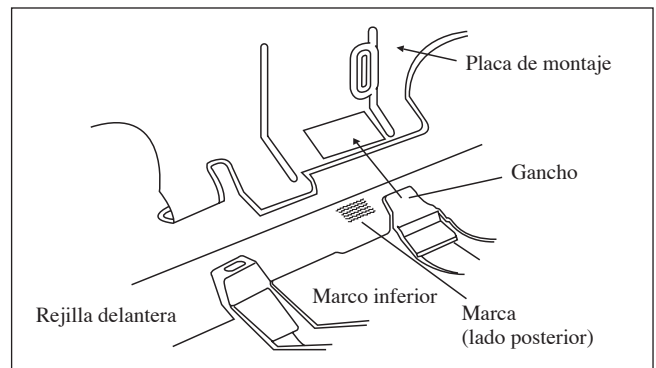
Enganchar la unidad de interior en la porción superior de la placa de instalación (Enganchar los 2 ganchos de la parte trasera superior en el borde superior de la placa de instalación). Para asegurar que los ganchos se encuentren adecuadamente instalados en la bandeja de instalación, intente moverlos ligeramente hacia la izquierda o la derecha.

## Cómo Colocar La Unidad Interior

Enganche las abrazaderas del cuadro inferior en la placa de instalación.

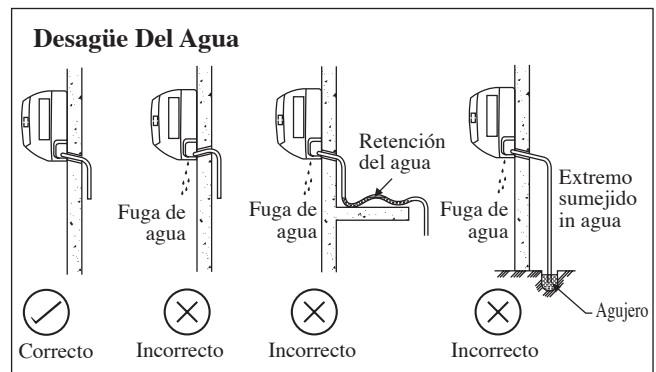
## Cómo Retirar La Unidad Interior

Empuje la zona marcada (en la parte inferior de la rejilla frontal) para soltar los ganchos.



## Tubería De Desagüe De Agua

La tubería de desagüe de interior debe tener una pendiente descendente para lograr un vaciado uniforme. Evite situaciones que puedan causar escapes de agua.



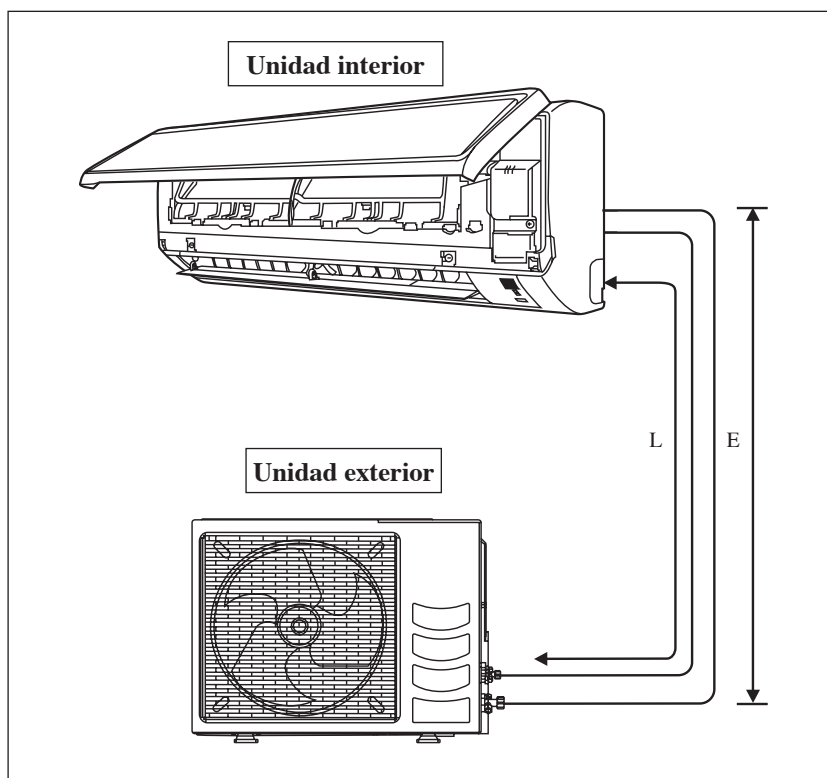
## ⚠ PRECAUCIÓN

- No instale la unidad a una altura superior a 2000m. para el interior y exterior.

## TUBERÍA DE REFRIGERANTE

### Longitud de tubería permitida

Si la tubería es demasiado larga, tanto la capacidad como la fiabilidad de la unidad disminuirán. Cuando reduzca el número de pliegues, la resistencia a la circulación del sistema de refrigerante aumentará, reduciendo por lo tanto la capacidad de refrigeración. Como resultado, el compresor podría volverse defectuoso. Escoger siempre el trayecto más corto y atenerse a las indicación provistas en la siguiente tabla:





Modelo	FTXB50CV1B	FTXB60CV1B
Largo mín. admisible (L), m	3	
Largo máx. admisible (L), m	30	
Elevación Máxima Permitida (E), m	10	
Tamaño de la tubería de gas, mm / (pulg)	12,70 (1/2")	15,88 (5/8")
Tamaño de la tubería de líquido, mm / (pulg)	6,35 (1/4")	

\* Asegúrese de añadir la cantidad apropiada de refrigerante adicional. De lo contrario, podría disminuir el rendimiento.

**Observación:** El refrigerante precargado en la unidad de exterior está previsto para una longitud de tubería de 7,5m.

### Longitud equivalente para el montaje diferentes (metros)

Tamaño de la Tubería	L conjunta 	Trampa curva 
3/8" (OD9,52mm)	0,18	1,3
1/2" (OD12,7mm)	0,20	1,5
5/8" (OD15,9mm)	0,25	2
3/4" (OD19,1mm)	0,35	2,4
7/8" (OD22,2mm)	0,40	3
1" (OD25,4mm)	0,45	3,4
1 1/8" (OD28,6mm)	0,50	3,7
1 3/8" (OD34,9mm)	0,60	4,4

Notas:

1. Longitud de tubería equivalente se obtiene con la longitud real de la tubería de gas.
2. 90° curvatura de la tubería es equivalente a L conjunta.

Las tuberías se deben doblar cuidadosamente a fin de no aplastarlas. Usar un doblador de tubos cuando sea posible.

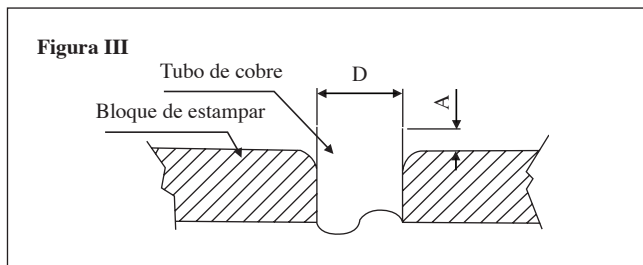
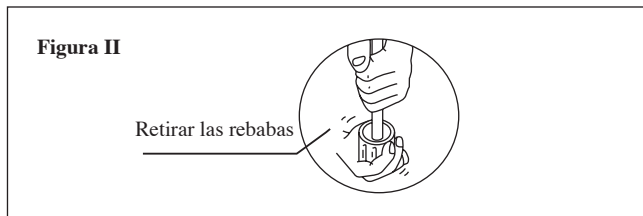
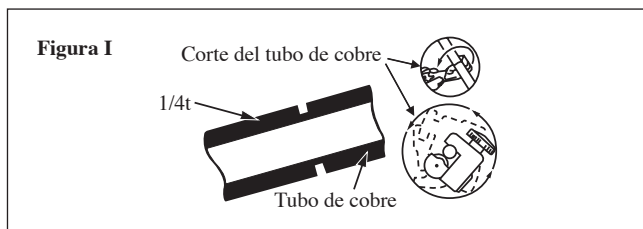
**Instalación De Tuberías y Tecnica De Abocinamiento**

- No use tuberías de cobre dañadas o contaminadas. Si se ha expuesto alguna tubería, evaporador o condensador o ha estado abierto durante 15 segundos o más, el sistema ha de aspirarse. En general, no se deben retirar los tapones de plástico y caucho, las tuercas de latón de las válvulas, accesorios, tuberías y serpentines hasta que se esté listo para conectar las líneas de succión o de líquido a las válvulas o accesorios.
- Si fuese necesario efectuar alguna soldadura, asegúrese de hacer circular el gas nitrógeno por el serpentín y las juntas durante la realización de la soldadura. Esto evitará la formación de hollín en las paredes interiores de las tuberías de cobre.
- Corte el tubo progresivamente, avanzando lentamente la cuchilla del cortador de tubos. Un exceso de fuerza y un corte profundo producirían una mayor deformación de la tubería y, por lo tanto, más rebabas. Véase la Figura I.
- Retire las rebabas de los bordes cortados de las tuberías con un extractor. Véase la Figura II. Sujete el tubo por su parte superior y la herramienta quitarrebabas en la posición inferior para evitar que las virutas metálicas se introduzcan en el tubo. Así evitará una irregularidad en las caras abocinadas que resultaría en una fuga de gas.
- Inserte las tuercas abocinadas, montadas sobre las partes de la conexión tanto de la unidad de interior como de la unidad de exterior, en las tuberías de cobre.
- La longitud exacta de la tubería que sobresale de la cara de la matriz de abocinamiento se determina mediante una herramienta de abocinamiento. Véase la Figura III.
- Fije la tubería firmemente sobre el bloque de estampar. Alinee los centros del bloque de estampar y del punzón de abocinamiento, y apriete entonces el punzón de abocinamiento completamente.

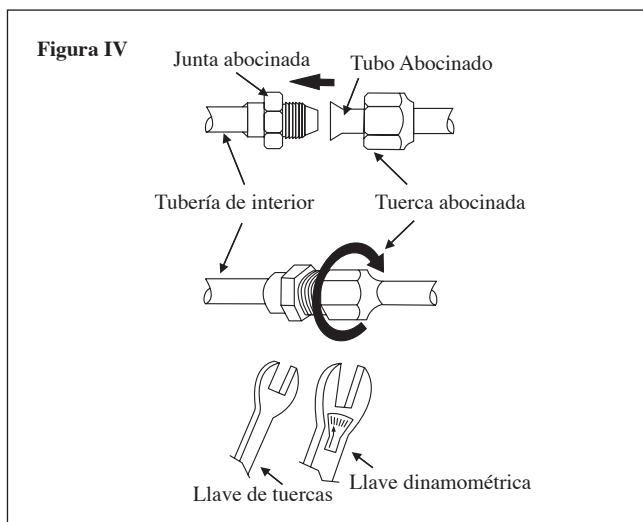
**Conexión De Las Tuberías A Las Unidades**

- Alinee el centro de la tubería y apriete suficientemente la tuerca abocinada con los dedos. Véase la Figura IV.
- Finalmente, apriete la tuerca abocinada con la llave dinamométrica hasta que la llave haga "clic".
- Al apretar la tuerca abocinada con la llave dinamométrica, asegúrese de que aprieta en el sentido indicado por la flecha de la llave.
- La conexión de tubería de refrigerante están aisladas por poliuretano de celda cerrada.

Tamaño de la Tubería, mm (pulg)	Par, Nm / (ft-lb)
6,35 (1/4")	18 (13,3)
12,70 (1/2")	55 (40,6)
15,88 (5/8")	65 (48,0)



Ø Tubo, D		A (mm)	
Pulgada	mm	Imperial (Tipo tuerca de mariposa)	Rigido (Tipo de acoplamiento)
1/4"	6,35	1,30	0,70
1/2"	12,70	1,90	1,30
5/8"	15,88	2,20	1,70

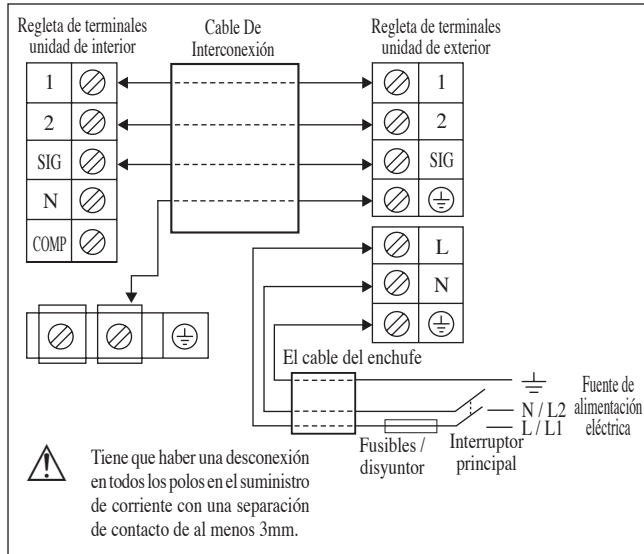




## ELECTRICAL WIRING CONNECTION

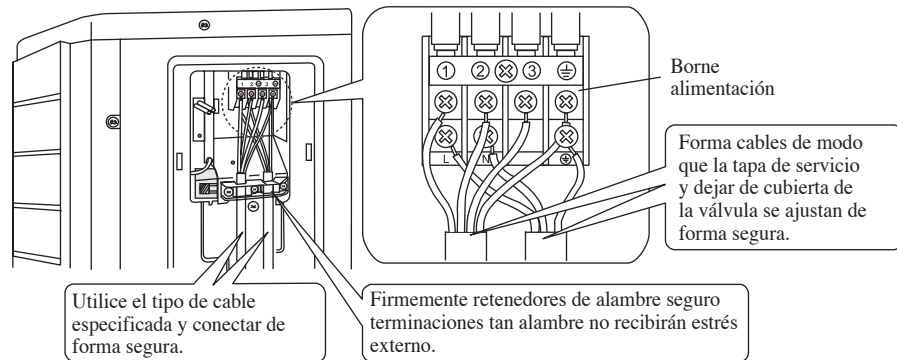
**IMPORTANTE :** \* Los valores mostrados arriba se dan a título informativo únicamente. Estos deben ser verificados y seleccionados a fin de que cumplan con los códigos y reglamentos locales y/o nacionales. También están sujetos al tipo de instalación y al tamaño de los conductores.

\*\* Compruebe el voltaje adecuado en la etiqueta de características del aparato.

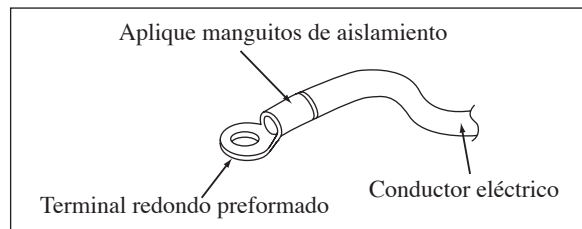


Modelo	FTXB50/60CV1B RXB50/60CV1B	
Margen de la tensión**	220-240V/~50Hz + ⊕	
El cable de alimentación*	mm <sup>2</sup>	2,5
Número de conductores		3
Tamaño del cable de interconexión*	mm <sup>2</sup>	2,5
Número de conductores		4
Recomendado fusible/el calibre del disyuntor	A	20

\* Si la longitud del cable es superior a 2m, utilice un cable de tamaño superior.



- Todos los alambres deben estar conectados firmemente.
- Asegúrese de que ningún cable toque las tuberías de refrigeración, el compresor ni las piezas en movimiento.
- El cable de conexión entre la unidad interior y la unidad exterior se debe clavar con el anclaje de cable provisto.
- El cable del enchufe para el toma corriente debe de ser equivalente H07RN-F, tomando este como un mínimo requerimiento.
- Asegúrese de no aplicar presión externa a los conectores y cables del borne.
- Asegúrese de que todas las cubiertas se fijen correctamente para evitar cualquier espacio.
- Utilice terminales prefabricados para conectar los cables a la regleta de bornes. Conecte los cables siguiendo las indicaciones en la regleta de bornes. (Consulte el diagrama de conexiones colocado en la unidad).



- Use el destornillador adecuado para ajustar los tornillos de los bornes. Los destornilladores incorrectos pueden dañar la cabeza del tornillo.
- Si se ajusta demasiado se pueden dañar los tornillos del borne.
- No conecte cables de diferente calibre al mismo borne.
- Mantenga el cableado ordenado. Evite que el cableado obstruya otras piezas y la cubierta de la caja de bornes.



## PRECAUCIONES ESPECIALES AL OCUPARSE DE LA UNIDAD DE R410A

R410A es un refrigerante nuevo de HFC que no daña la capa de ozono. La presión de funcionamiento de este refrigerante nuevo es 1,6 veces más alta que el refrigerante convencional (R22), o sea que es esencial una instalación/servicio apropiado.

- Nunca refrigerante del uso con excepción de R410A en un acondicionador de aire que se diseña para funcionar con R410A.
- El aceite de POE o PVE se utiliza como lubricante para el compresor de R410A, que es diferente del aceite mineral usado para el compresor R22. Durante la instalación o el mantenimiento, la precaución adicional se debe tomar para no exponer el sistema de R410A demasiado largo al aire húmedo. El aceite residual de POE o PVE en la tubería y los componentes pueden absorber la humedad del aire.
- Evitar mischarging, el diámetro del puerto del servicio en la válvula de la llamarada es diferente de el de R22.

- Utilice las herramientas y los materiales exclusivamente para el refrigerante R410A. Las herramientas para R410A son exclusivamente válvula múltiple, manguera de carga, manómetro de presión, detector del escape del gas, herramientas de la llamarada, llave de esfuerzo de torsión, bomba de vacío y cilindro del refrigerante.
- Pues un acondicionador de aire de R410A incurre en una presión más alta que las unidades R22, es esencial elegir las pipas de cobre correctamente. Nunca delente de cobre de las pipas del usuario que 0,8mm aunque están disponibles en el mercado.
- Si el gas del refrigerante se escapó durante la instalación/ servicing, sea seguro ventilar completamente. Si el gas refrigerante viene en contacto con el fuego, un gas venenoso puede ocurrir.
- Al instalar o quitando un acondicionador de aire, no permita que el aire o la humedad permanezca en el ciclo refrigerante.

## ASPIRACIÓN Y CARGA

La aspiración es necesaria para eliminar toda la humedad y aire del sistema.

### Purga de la tubería y la unidad interior

Excepto para la unidad exterior que es precargada con refrigerante, la unidad de interior y los tubos de conexión refrigerantes deben ser purgados de aire porque el aire que contiene la humedad que permanece en el ciclo refrigerante puede hacer funcionar mal al compresor.

- Retirar las tapas de la válvula y del agujero de servicio.
- Conecte el centro del calibrador de carga a la bomba de vacío.
- Conecte el calibrador de carga al orificio de servicio de la válvula de 3 vías.
- Arranque la bomba de vacío. Evacúe aproximadamente durante 30 minutos. El tiempo de evacuación varía según la capacidad de la bomba de vacío. Asegúrese de que la aguja del calibrador de carga se ha movido hacia -760mmHg.

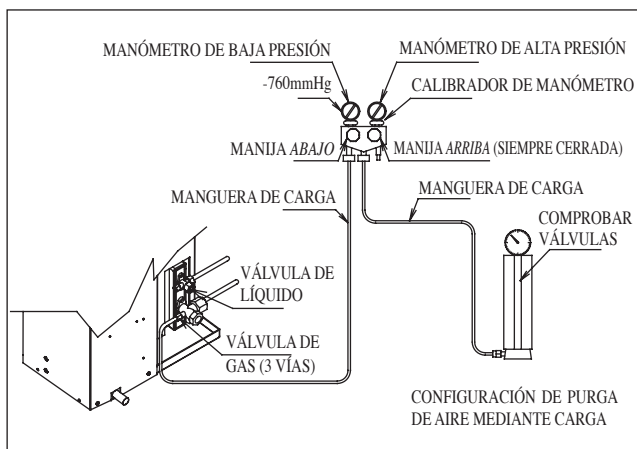
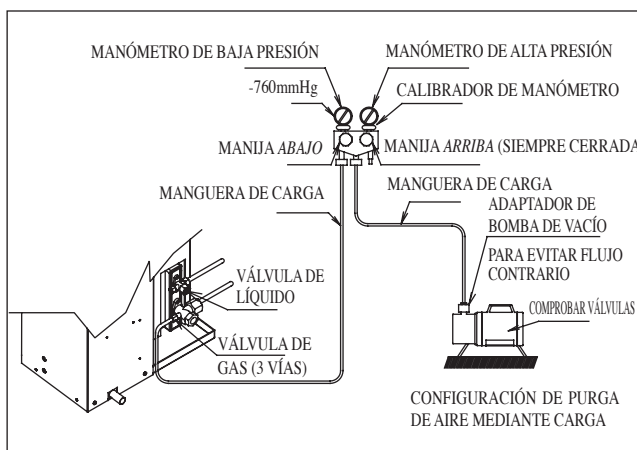
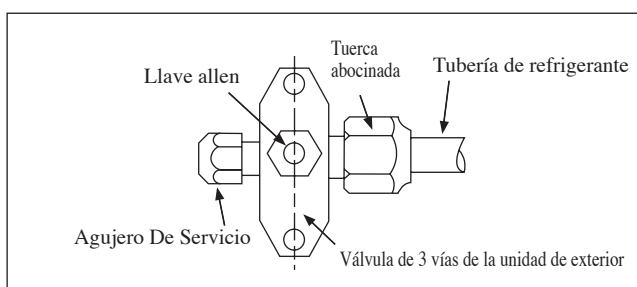
### Precaución

- Si la aguja del indicador no se mueve a -760mmHg, asegúrate de revisar que no haya fugas en la conexión tipo llamarada de la unidad interior y al aire libre y repare la fuga antes de proceder con el siguiente paso.
- Cierre la válvula del calibrador de cambio y pare la bomba de vacío.
- En la unidad exterior, abra la válvula de succión (3 vías) y la válvula líquida (2 vías) (en la dirección contraria a las agujas del reloj) con una llave de 4mm para tornillos hexagonales.

### Operación De Carga

Esta operación se debe realizar usando un cilindro de gas y una máquina de pesaje obligatoriamente. La carga adicional se introduce en la unidad de exterior por la válvula de aspiración a través del agujero de servicio.

- Retirar el tapón del agujero de servicio.
- Conectar el lado de presión baja del calibrador de carga al centro del agujero de servicio de succión del depósito del cilindro y cierre el lado de alta presión del calibrador. Purgue el aire de la manguera de servicio.
- Poner en marcha la unidad de aire acondicionado.
- Abrir la válvula del cilindro de gas y la de cierre de baja presión.
- Cuando se haya bombeado la unidad con la cantidad de refrigerante requerida, cerrar la válvula de baja presión y del cilindro de gas.
- Desconectar la manguera de servicio del agujero de servicio. Volver a colocar la tapa del agujero de servicio.



## CARGA ADICIONAL

El refrigerante está precargado en la unidad de exterior. Si la longitud de la tubería es inferior a 7,5m, no es necesaria una carga adicional después de la aspiración. Si la longitud de la tubería tiene más de 7,5m utilice un valor de carga adicional como se indica en la tabla.

**La carga de refrigerante adicional [g] por longitud adicional de 1m como en la tabla**

<b>Interior</b>	<b>FTXB50CV1B</b>	<b>FTXB60CV1B</b>
<b>Exterior</b>	<b>RXB50CV1B</b>	<b>RXB60CV1B</b>
<b>Carga Adicional [g/m]</b>	20	20

**Ejemplo:**

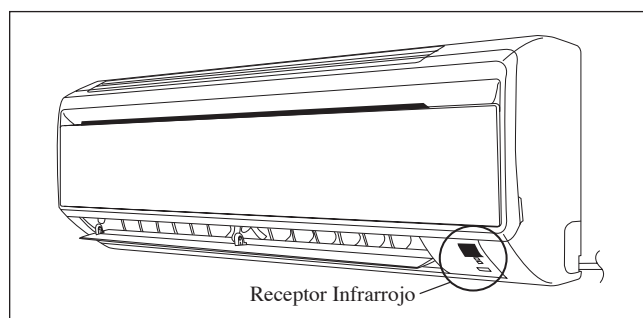
FTXB50CV1B & RXB50CV1B con una longitud de tubería de 12m la longitud de tubería adicional es de 4,5m. Por lo tanto,  
 Carga Adicional = 4,5[m] x 20[g/m]  
 = 90,0[g]

## LUZ INDICADORA

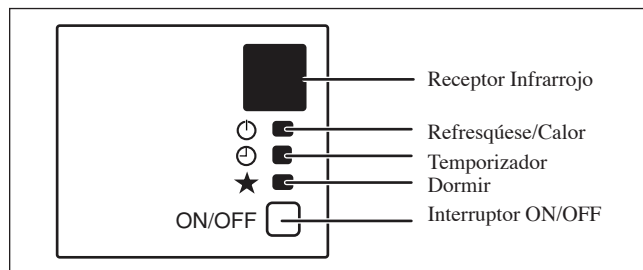
### Receptor De Señal IR (infrarroja)

Cuando se transmite una señal de uso a través del control remoto por infrarrojos, el receptor de señales de la unidad interior responderá como abajo para confirmar la aceptación de la transmisión de la señal.

<b>ACTIVADO o DESACTIVADO</b>	1 pitido largo
<b>DESACTIVADO o ACTIVADO</b>	2 pitido corto
<b>Vaciado por bombeo/ Fuerza de refrigeración activada</b>	
<b>Otros</b>	1 pitido corto



**Luces Indicadoras LED De funcionamiento Para La Unidad De Enfriamiento/Unidad De Bomba De Calor**



### Unidad De Enfriamiento/Unidad De Bomba De Calor

La tabla que se muestra a continuación contiene las luces indicadoras LED para el funcionamiento normal y la condición de falla de la unidad de aire acondicionado.

Las luces de indicador del LED están situadas en el centro de la unidad del acondicionador de aire.

Las unidad de calentamiento cuenta con un modo "auto", mediante el cual la unidad podrá proporcionar temperatura de habitación moderada, simplemente con encender automáticamente en posición "cool" (frío) o "heat" (calor), de acuerdo a la temperatura seleccionada por el usuario.

### Luces Indicadoras LED: Condiciones De Operación Normales Y Condiciones De Operación Defectuosas De La Unidad De Enfriamiento/Unidad De Calentamiento

★	REFRESQUÉSE/CALOR (VERDE/ROJO)	⌚	Operación
	○ VERDE		Modo de enfriamiento
	○ ROJO		Modo de calentamiento
	○ ROJO		Modo automático en funcionamiento como calentador
	○ VERDE		Modo automático en funcionamiento como enfriador
	○		Programador de tiempo prendido on
○	○		El modo programador para dormir prendido on
	○ VERDE		Modo ventilador on
	○ VERDE		Modo deshumidificador on
	● ROJO		Operación de descongelación
	● VERDE		Error de la unidad

○ ENCENDIDO

● Parpadeante

## OPERACIÓN DE LA UNIDAD DE AIRE ACONDICIONADO

### Modo Seco

- Cuando la humedad del aire es alta, la unidad puede operar en modo seco. Pulse el botón de modo de funcionamiento < MODE > y elija el seco < DRY >.
- Si la temperatura de la habitación está 2°C/3,6°F por encima de la temperatura elegida en el ajuste, entonces la unidad de aire acondicionado funcionará en modo de enfriamiento hasta que se quede a 2°C/3,6°F de diferencia, comparada con la temperatura elegida antes de pasar a modo seco.
- Si la temperatura de la habitación está dentro de un margen de 2°C/3,6°F de diferencia, comparada con la temperatura elegida en el ajuste, funcionará directamente en modo seco.
- En el modo de funcionamiento seco, la unidad funcionará a BAJA velocidad.

### Modo De Calefacción (únicamente para unidad de calentamiento)

- Cuando la unidad acaba de ser encendida o de pasar por el ciclo de deshielo, el ventilador de adentro sólo empezará a funcionar después de que el serpentín alcance la temperatura deseada.
- Cuando se alcanza la temperatura elegida en el ajuste, el ventilador de adentro funcionará hasta que el serpentín no pueda proveer más calor adicional.

### Control Del Flujo De Aire

- Para lograr una circulación de aire más eficaz, se puede ajustar la rejilla de descarga de aire hacia la izquierda o la derecha manualmente.
- Durante el funcionamiento en modo enfriamiento y seco, no dirigir la rejilla directriz de descarga de aire hacia abajo mucho tiempo. Si el funcionamiento continúa de esta manera, puede haber condensación en la rejilla directriz. Puede haber goteo como resultado de la condensación.

### Velocidad Del Ventilador Y Capacidad De Enfriamiento Especificada

- La capacidad de enfriamiento especificada se provee con el ventilador a velocidad HIGH.
- La capacidad de enfriamiento es más baja cuando la unidad funciona con el ventilador a velocidades MEDIA y BAJA.

### Notas Sobre Ángulos De Aletas Y Rejillas

- Al seleccionar le “botón GIRO” el rango de giro de las aletas depende del modo de funcionamiento. (Consulte la figura.)

### ATENCIÓN

- Utilice siempre un control remoto para regular el ángulo de la aleta. Si intenta moverlo forzándolo con la mano mientras oscila, puede romper el mecanismo.
- Tenga cuidado al regular las rejillas. Dentro de la salida de aire, gire un ventilador a alta velocidad.

### Protección Contra El Sobre-calentamiento (únicamente para unidad de calentamiento)

- En caso de que la temperatura interna y/o externa sean demasiado altas, o que el filtro esté sucio y obstruido, puede que el refrigerante se sobrecaliente. El compresor se parará sólo cuando la temperatura de condensación alcance los 62°C/143,6°F.

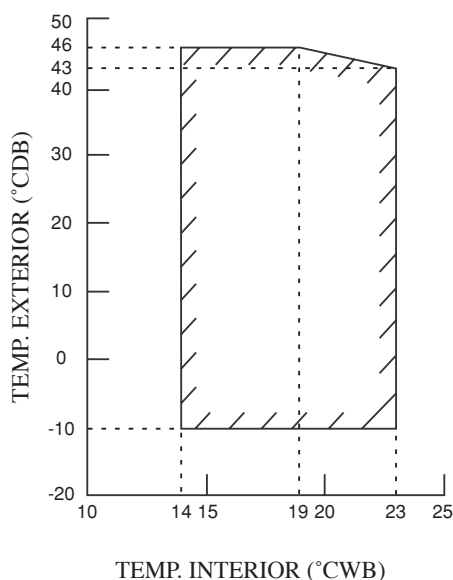
### Prevención De Congelamiento

- Cuando el filtro de aire está sucio, la temperatura de evaporación descenderá y acabará por causar hielo.
- Si la temperatura de evaporación alcanza los -1°C/33,8°F la unidad reaccionará.

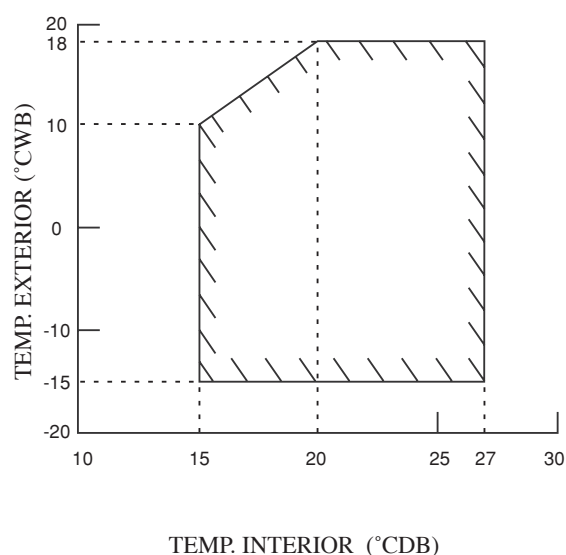
## MARGEN DE OPERACIÓN

Modelo: FTXB50/60CV1B  
RXB50/60CV1B

REFRIGERACIÓN



CALEFACCIÓN

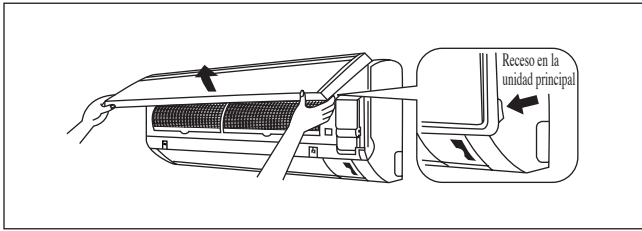


DB: Ampolla seca    WB: Ampolla húmeda

## FILTROS DEL AIRE

### 1. Abra el panel frontal.

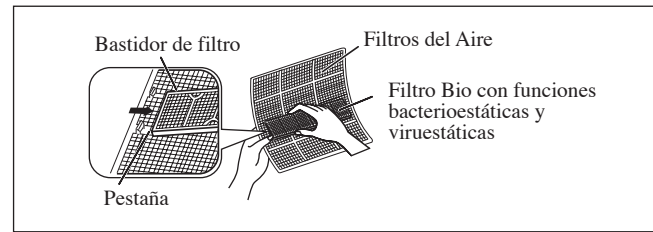
- Sostenga el panel en los recesos de la unidad principal (2 recesos a los lados derecho e izquierdo) y levántelo hasta que se detenga.



### 4. Limpie o cambie los filtros.

Vea la figura.

- Al sacudir el agua restante, no exprima el filtro.

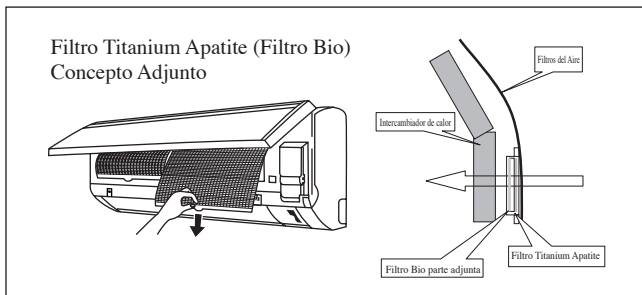


### 2. Extraiga los filtros de aire.

- Empuje un poco hacia arriba la pestaña del centro de cada filtro de aire, luego hacia abajo.

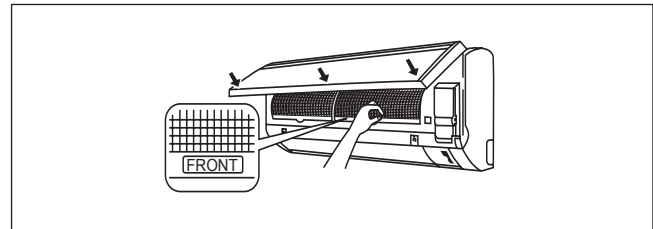
### 3. Quite el Filtro Bio con funciones bacterioestáticas y viruestáticas.

- Sostenga los componentes retraídos del marco y desenganche los 4 dientes.



### 5. Configure el filtro de aire y el filtro Bio con funciones bacterioestáticas y viruestáticas como estaban y cierre el panel frontal.

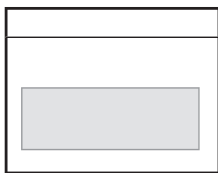
- Inserte los ganchos de los filtros en las ranuras del panel frontal. Cierre lentamente el panel frontal y presiónelo por los 3 puntos. (uno en cada extremo y otro en el centro.)
- El filtro de aire y el filtro Bio con funciones bacterioestáticas y viruestáticas tienen forma simétrica en dirección horizontal.



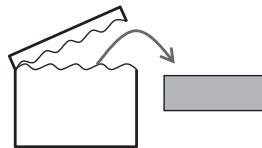
\* Filtro Bio y Filtro De Titanio Apatite son accesorios opcionales.

### Procedimiento de instalación para el Filtro Bio

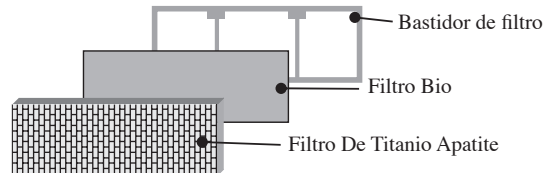
El Filtro Bio cabe en una bolsa cerrada herméticamente.



Retírelo en el momento de la instalación.



Deslice el Filtro entre el marco del Filtro y el Filtro Titanium Apatite.



## ⚠ PRECAUCIÓN

- Por favor, utilice este Filtro Bio durante la **temporada seca** como en invierno.
- Métodos de almacenamiento, tratamiento y desecho.**
  - La vida de este Filtro Bio es de aproximadamente un año después de la apertura.
  - En caso de no utilizar este Filtro Bio inmediatamente, por favor, no coloque el Filtro Bio en ningún sitio donde pueda estar sujeto a luz directa del sol, altas temperaturas y/o alta humedad.
  - Pueden existir ligeras diferencias entre el color del Filtro Bio por razones de fabricación, no tiene efecto en el funcionamiento de la unidad.
  - Por favor, abra esta bolsa inmediatamente antes de su uso. El Filtro Bio debería permanecer cerrado herméticamente en su envoltorio hasta el momento de su uso. (Podría deteriorar su funcionamiento o un cambio en la calidad.)
  - Para evitar peligro de ahogo y cualquier accidente inesperado, tire la bolsa de plástico inmediatamente después de retirar el Filtro Bio. Manténgala fuera del alcance de los niños y bebés.
  - Si guarda este Filtro Bio durante mucho tiempo, por favor manténgalo sin abrir y guárdelo en un sitio frío evitando la luz directa del sol.
  - Por favor, deshágase del Filtro Bio viejo como con cualquier basura no inflamable después de su uso.
- Operación con Filtros sucios:**
  - (1) no se puede desodorizar el aire.
  - (2) no se puede limpiar el aire.
  - (3) el resultado es calefacción o refrigeración deficientes.
  - (4) puede haber mal olor.
- Para adquirir un Filtro Bio, contacte la tienda de reparaciones donde compró su aire acondicionado.

## REPARACIONES Y MANTENIMIENTO

**Nota es válido sólo para Turquía: La vida útil de nuestros productos es de diez (10) años**

Componentes	Procedimientos Para Su Mantenimiento	Precuencia
<b>Filtro de aire (unidad de interior)</b>	<ol style="list-style-type: none"> <li>1. Elimine el polvo adherido al filtro mediante una aspiradora o lavándolo en agua templada (a menos de 40°C/104°F) con un jabón neutro.</li> <li>2. Enjuague y seque bien el filtro antes de volverlo a colocar en la unidad.</li> <li>3. No use gasolina, sustancias volátiles ni productos químicos para limpiar el filtro.</li> </ol>	<p>Por lo menos una vez cada 2 semanas.</p> <p>Más frecuentemente si es necesario.</p>
<b>Unidad interior</b>	<ol style="list-style-type: none"> <li>1. Limpie cualquier suciedad o polvo de la rejilla o el panel con un trapo suave empapado de agua tibia (a menos de 40°C/104°F) con una solución detergente neutra.</li> <li>2. No use gasolina, sustancias volátiles ni productos químicos para limpiar la unidad de interior.</li> </ol>	<p>Por lo menos una vez cada 2 semanas.</p> <p>Más frecuentemente si es necesario.</p>

### ⚠ PRECAUCIÓN

- Evite el contacto directo de cualquier limpiador de tratamiento de serpiente en la parte plástica. Esto podría provocar deformaciones en la parte plástica como resultado de una reacción química.

#### 1. Abra el panel frontal.

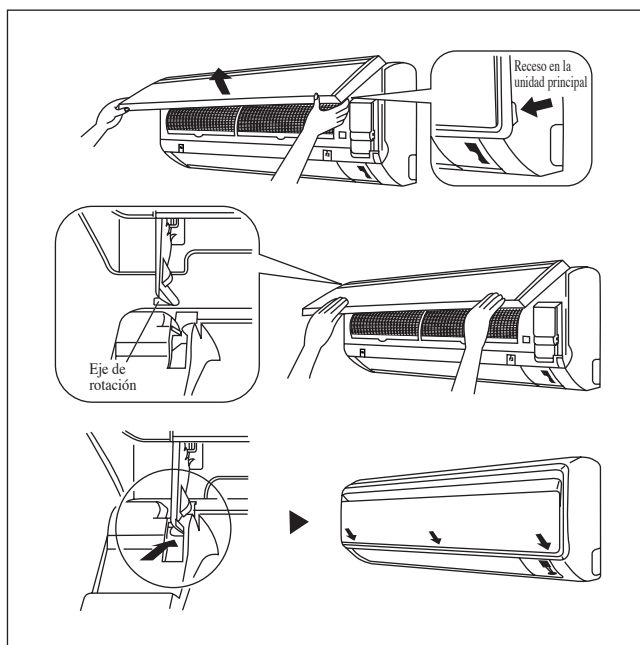
- Sostenga el panel en los recesos de la unidad principal (2 recesos a los lados derecho e izquierdo) y levántelo hasta que se detenga.

#### 2. Remueva el panel frontal.

- Mientras levanta el panel frontal más, deslícelo a la derecha y tírelo al lado frontal. Se desprende el eje de rotación izquierdo. Deslice el eje de rotación derecho a la izquierda y tírelo al lado frontal para removerlo.

#### 3. Instale el panel frontal.

- Alinee los ejes de rotación derecho e izquierdo del panel frontal con las ranuras y empujuelos completamente hacia adentro.
- Cierre gentilmente el panel frontal. (Pulse ambos extremos y el centro del panel frontal.)


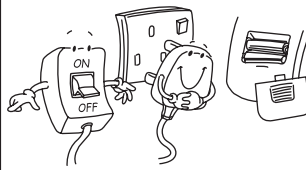




## ⚠ PRECAUCIÓN

- No toque las partes de metal de la unidad interior. Podría causarle lesiones.
- Cuando extraiga o coloque el panel frontal, sujételo firmemente con la mano para evitar que se caiga.
- Para la limpieza, no utilice agua caliente con temperatura superior a los 40°C, bencina, nafta, diluyente u otros aceites volátiles, compuesto para pulir, cepillos, ni material duro.
- Después limpiarlo, asegúrese de que el panel frontal esté bien fijado.

### Cuando No Se Va A Usar La Unidad Por Un Tiempo Prolongado

<p>Opera la unidad durante 2 horas con el siguiente programa.</p> <p>Modo de funcionamiento : frío Temperatura : 30°C/86°F</p>		<p>Retirar al clavija de alimentación. Si se usa un circuito eléctrico independiente para su unidad, cortar el circuito. Retirar las baterías del control remoto.</p>	
--	---	---	---

## LOCALIZACIÓN DE AVERIAS

**Para consultas sobre piezas de recambio, póngase en contacto con un distribuidor autorizado. Cuando detecte alguna anomalía en el funcionamiento de la unidad de aire acondicionado, desconéctela inmediatamente de la fuente de alimentación eléctrica. Compruebe las siguientes condiciones o causas de fallo como consejos de resolución de problemas.**

Falla	Causa/Acción
1. El compresor no empieza a funcionar 3 minutos después de haber puesto en marcha la unidad de aire acondicionado.	– Protección contra los arranques frecuentes. Espere 3 ó 4 minutos hasta que el compresor comience a fun.
2. La unidad de aire acondicionado no funciona.	– Falta de alimentación o se debe reemplazar el fusible. – La clavija de alimentación está desconectada. – Es posible que no haya ajustado correctamente el temporizador de retardo. – Si el fallo sigue después de estas verificaciones, contacte con el instalador de la unidad de aire acondicionado.
3. El flujo de aire es demasiado bajo.	– El filtro de aire está sucio. – Las puertas y las ventanas están abiertas. – La entrada y salida del aire están obstruidas. – La temperatura elegida en el ajuste no es lo suficientemente alta.
4. El flujo de aire de descarge huele mal.	– Estos olores se pueden deber a particulares de humo de cigarrillo, perfume, sudor, etc. que se hayan adherido al serpentín.
5. Condensación en la rejilla de aire frontal-unidad de interior.	– Esto se debe a la humedad del aire, después de un tiempo de funcionamiento prolongado. – La temperatura elegida en el ajuste es demasiado baja. Aumente la temperatura elegida y empiece la unidad con el ventilador a alta velocidad.
6. Sale agua de la unidad de aire acondicionado.	– Apague la unidad y llame al vendedor local.

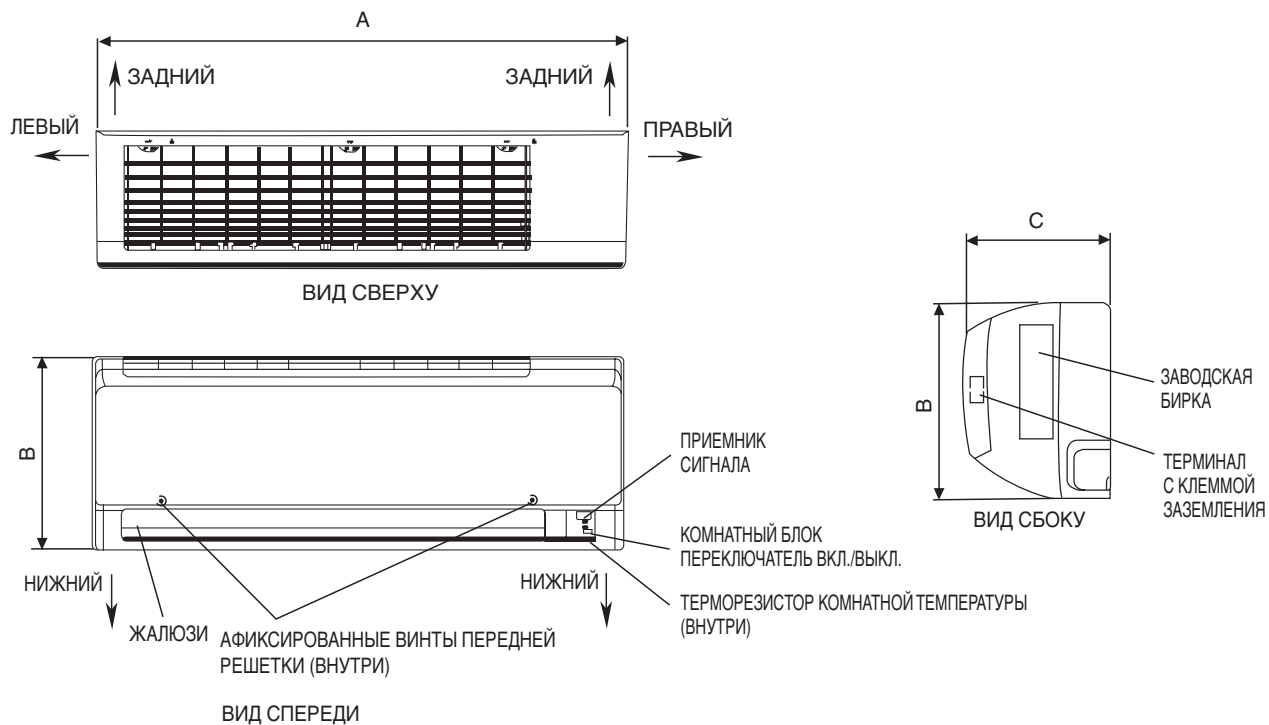
**Si la avería persiste, póngase en contacto con el técnico o vendedor local.**



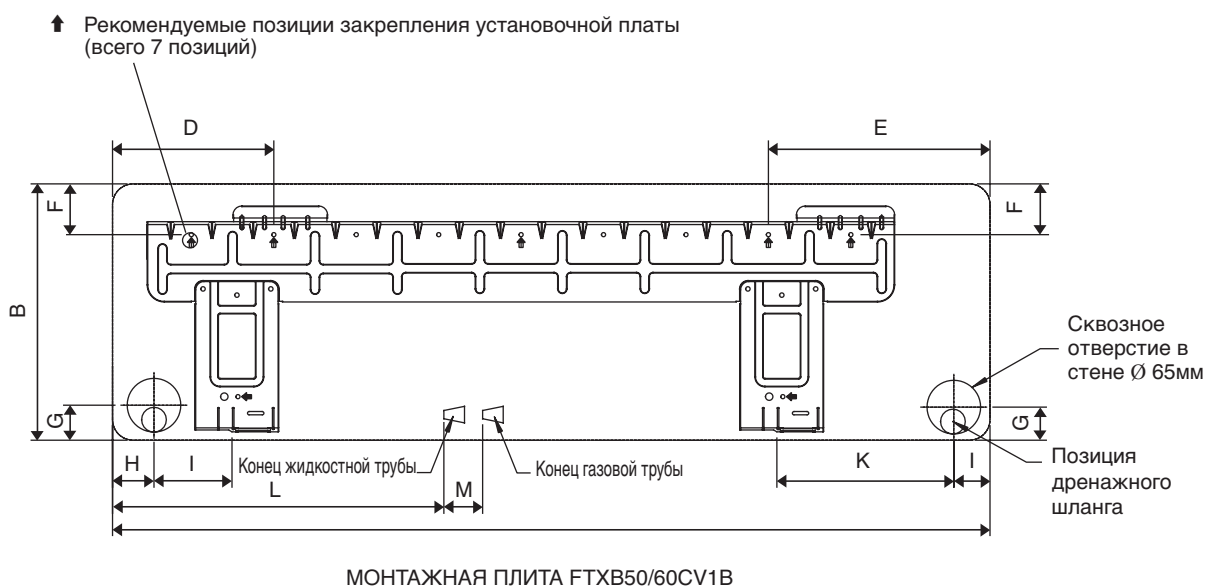
## СХЕМА И РАЗМЕРЫ

### Комнатного блок

ЗНАК ( → ) ПОКАЗЫВАЕТ НАПРАВЛЕНИЕ ТРУБОПРОВОДА



Все размеры указаны в мм



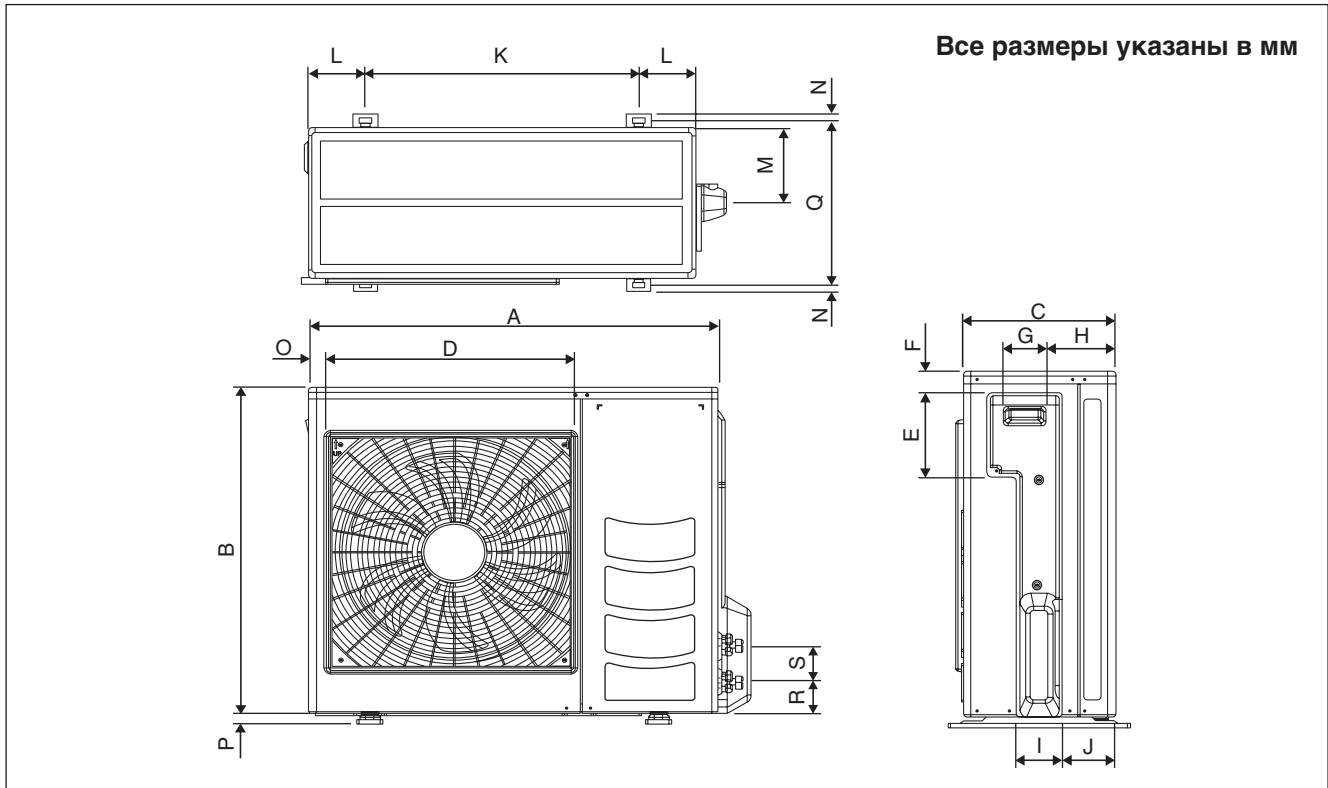
Все размеры указаны в мм

Размер	A	B	C	D	E	F	G	H	I	J	K	L	M
<b>Модель</b>													
<b>FTXB50/60CV1B</b>	1065	310	228	190	173	61	40	45	48	91	219	580	45

Русский

Перевод оригинальных инструкций

# Наружный блок RXB50/60CV1B



Размер / Модель	A	B	C	D	E	F	G	H	I	J	K	L	M	N
RXB50/60CV1B	855	730	328	520	179	46	93	149	101	113	603	126	164	15

Размер / Модель	O	P	Q	R	S
RXB50/60CV1B	34	23	362	73	75

# РУКОВОДСТВО ПО УСТАНОВКЕ

Это руководство рассматривает процедуру установки с целью обеспечения безопасности и соответствующих стандартов для функционирования блока кондиционера.

Специальная регулировка по месту установки может быть необходима.

Перед использованием Вашего кондиционера, прочитайте, пожалуйста, внимательно данное руководство по эксплуатации и сохраните его для обращения за справками в будущем.

Этот аппарат предусмотрен для использования опытным и обученным персоналом в магазинах, в легкой промышленности и сельском хозяйстве, или для коммерческого применения непрофессионалами.

Данное устройство не предназначено к эксплуатации лицами (включая детей) с ограниченными физическими, сенсорными или умственными возможностями, а равно и теми, у кого нет соответствующего опыта и знаний. Такие лица допускаются к эксплуатации устройства только под наблюдением или руководством лица, несущего ответственность за их безопасность.

За детьми необходим присмотр во избежание игр с устройством.


## МЕРЫ ПРЕДОСТОРОЖНОСТИ

### ВНИМАНИЕ

- Установка и техническое обслуживание должны проводиться квалифицированным персоналом, знающим местный код и положение и имеющим опыт работы с данным видом устройств.
- Весь монтаж проводов должен проводиться в соответствии с национальными правилами электромонтажа.
- Перед началом электромонтажа удостоверьтесь, что напряжение блока соответствует указанному на табличке, согласно электрической схеме.
- Блок должен быть **ЗАЗЕМЛЕН** для предотвращения возможной опасности в результате неправильной установки.
- Электропроводка не должна соприкасаться с трубопроводом хладагента или движущимися частями двигателей вентилятора.
- Удостоверьтесь, что блок **ВЫКЛЮЧЕН** перед установкой или обслуживанием.
- Прежде чем производить сервисные работы, кондиционер следует отключить от электросети.
- НЕ выдергивайте шнур при включенном питании. При этом можно получить серьезные удары током и вызвать угрозу пожара.
- Держите комнатный и наружный блоки, силовую кабель и проводку передачи как минимум за 1м от телевизоров и радио для предотвращения искаженного изображения и помех. (В зависимости от типа и источника электрических волн, помехи могут быть услышаны даже при установке более чем на 1м).

### ОСТОРОЖНО

Пожалуйста, обратите внимание на нижеследующие важные моменты при установке.

- **Не устанавливайте блок в месте, где может произойти утечка взрывоопасного газа.**
  -  Если имеется утечка газа и его сбор рядом с блоком, то он может стать причиной возгорания.
- **Удостоверьтесь, что сливные трубы соединены надлежащим образом.**
  -  Если сливные трубы не соединены надлежащим образом, это может стать причиной течи, которая намочит мебель.
- **Не подвергайте перегрузке блок.**
  -  Данный блок установлен на определенную нагрузку на заводе-изготовителе.
  - Перегрузка вызовет перегрузку тока или повредит компрессор.
- **Удостоверьтесь, что панель блока закрыта после технического обслуживания или установки.**
  -  Неплотно закрепленные панели вызовут шум при работе блока.
- **Острые края и поверхности змеевиков являются потенциальными местами нанесения травм. Остерегайтесь контакта с этими местами.**
- **Перед тем, как включить питание, переведите выключатель удаленного контроллера в положение "OFF" во избежание случайного срабатывания устройства.** Если этого не сделать, при включении питания вентиляторы автоматически начнут вращаться и обслуживающий персонал или пользователь подвергнется опасности.
- **Не устанавливайте блоки в дверном проеме или в непосредственной близости с ним.**
- **Не допускайте работы каких-либо обогревательных приборов в непосредственной близости с блоком кондиционера воздуха и не используйте в помещении, в котором имеется минеральное масло, пары нефти или масла, так как это может привести к расплавлению или деформации пластиковых деталей в результате чрезмерного тепла или химической реакции.**
- **При использовании блока на кухне не допускайте попадания муки во всасывающее устройство блока.**
- **Данный блок не подходит для промышленного использования, характеризующегося наличием тумана смазочно-охлаждающей жидкости, железного порошка или больших колебаний электрического напряжения.**
- **Не устанавливайте блоки в таких местах, как горячий источник или нефтеперерабатывающий завод, характеризующиеся наличием газа сульфида.**
- **Убедитесь, что цвет проводов наружного блока и маркировка терминалов совпадает с соответствующими элементами комнатного блока.**
- **ВАЖНО : НЕ УСТАНАВЛИВАЙТЕ ИЛИ НЕ ИСПОЛЬЗУЙТЕ КОНДИЦИОНЕР В МОЕЧНОЙ.**
- **Для входящего электропитания не следует использовать соединенные и скрученные многожильные провода.**
- **Оборудование не предназначено для использования в потенциально взрывоопасной среде.**

## ПРЕДУПРЕЖДЕНИЕ

### Требования по утилизации

Ваше изделие для кондиционирования воздуха отмечено этим символом. Это означает, что электрические и электронные изделия не должны быть смешаны с несортированными бытовыми отходами.

Не пытайтесь самостоятельно демонтировать систему; демонтаж системы кондиционирования воздуха, обработка хладагента, масла и других деталей должна быть произведена квалифицированным специалистом по установке согласно соответствующему местному и национальному законодательству.

Кондиционеры воздуха должны быть обработаны на специализированном перерабатывающем оборудовании для повторной утилизации, повторного использования отходов и восстановления. Убедившись в том, что данное изделие правильно утилизировано, вы можете предотвратить потенциальные негативные последствия для окружающей среды и здоровья людей. Для получения подробной информации обратитесь, пожалуйста, к вашему специалисту по установке или местным властям.

Батареи должны быть удалены из пульта дистанционного управления и утилизированы отдельно согласно соответствующему местному и национальному законодательству.



## ВАЖНО

### Важная информация об используемом хладагенте

Этот продукт содержит фторированные парниковые газы.

Не выпускайте газы в атмосферу.

Марка хладагента: R410A

Величина ПГП <sup>(1)</sup>: 2087,5

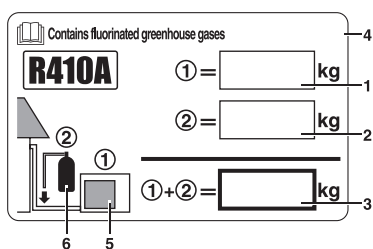
<sup>(1)</sup> ПГП = Потенциал Глобального Потепления

Впишите несмываемыми чернилами:

- ① количество хладагента, заправленного в изделие на заводе;
- ② количество хладагента, заправленного дополнительно на месте; и
- ① + ② общее количество заправленного хладагента

в этикетку информации о заправленном хладагенте, прилагаемую к изделию.

Заполненную этикетку необходимо прикрепить рядом с заправочным портом изделия (например, на внутреннюю поверхность сервисной крышки).



1 количество хладагента, заправленного в изделие на заводе:  
см. паспортную табличку блока <sup>(2)</sup>

2 количество хладагента, заправленного дополнительно на месте

3 общее количество заправленного хладагента

4 содержит фторированных парниковых газов

5 Наружный блок

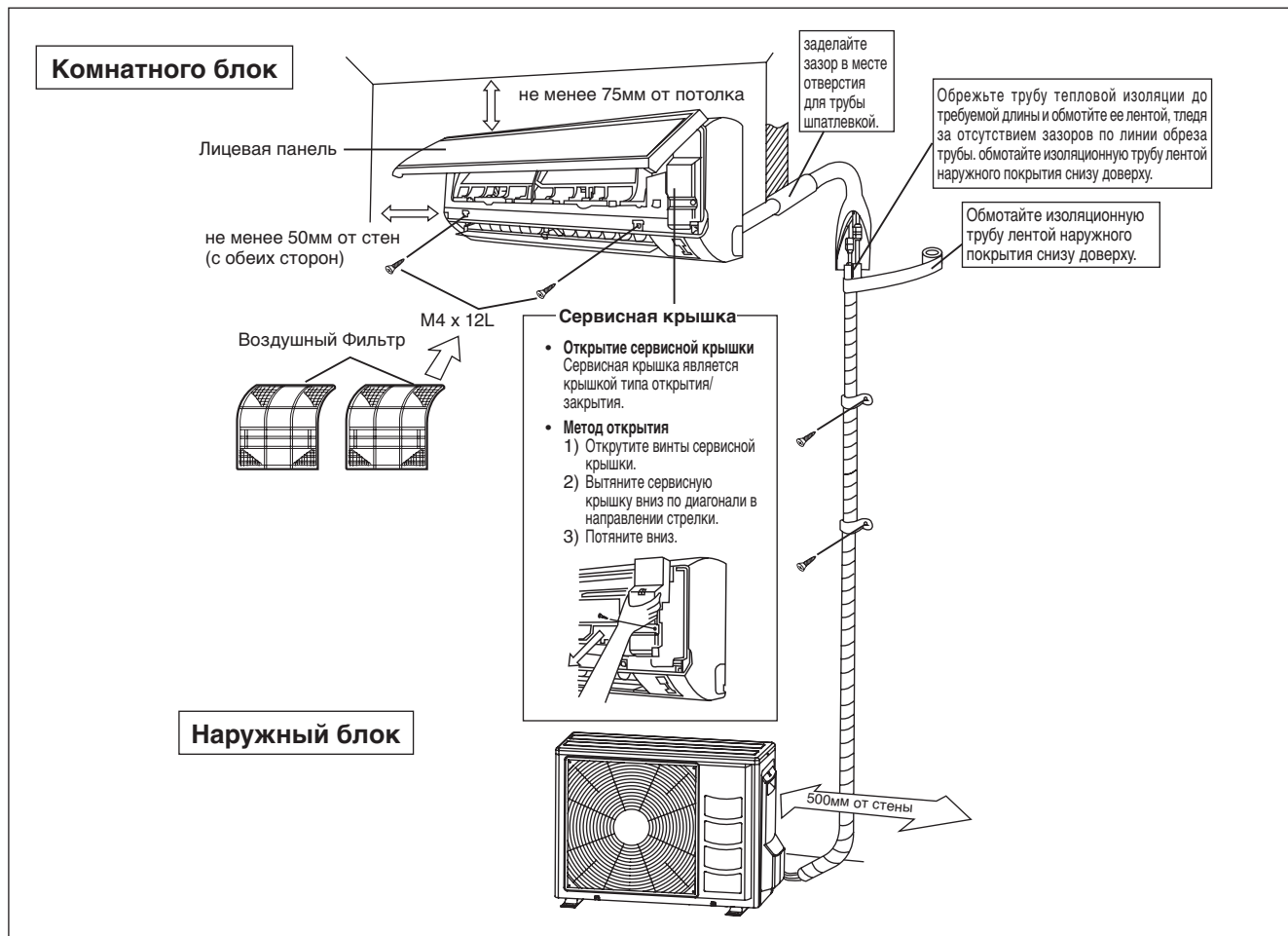
6 баллон с хладагентом и коллектор для заправки

<sup>(2)</sup> В случае системы с несколькими комнатными блоками необходимо прикрепить только одну этикетку, в которой должно быть указано общее количество хладагента\*, заправленного на заводе во все комнатные блоки, подсоединенные к системе циркуляции хладагента.

В соответствии с общеевропейским или местным законодательством может быть необходима периодическая проверка на наличие утечек хладагента. За более подробной информацией обращайтесь к своему местному дилеру.

\* к наружного блок

## РИСУНОК УСТАНОВКИ



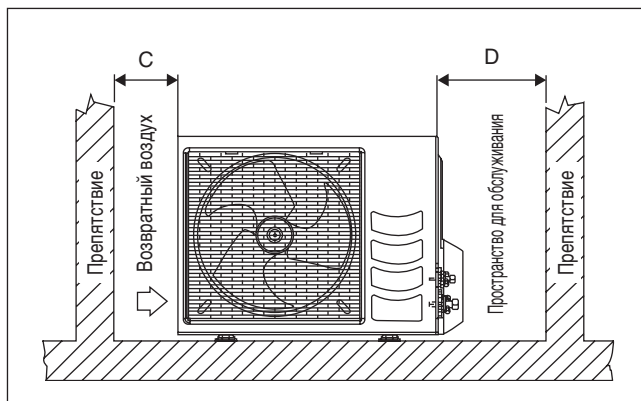
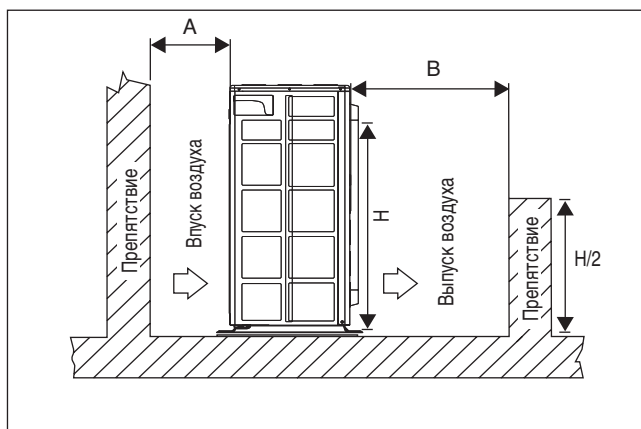
## УСТАНОВКА НАРУЖНОГО БЛОКА

Наружный блок должен быть установлен таким образом, чтобы предотвратить замыкание горячего выпускаемого воздуха или образование препятствия для воздушного потока. Пожалуйста, соблюдайте установочные габариты, показанные на рисунке. Выберите самое прохладное место, где температура воздуха на впуске не превышает наружную температуру воздуха (см. рабочий диапазон).

### Установочные габариты

Размер	A	B	C	D
Мин. Расстояние (мм)	300	1000	300	500

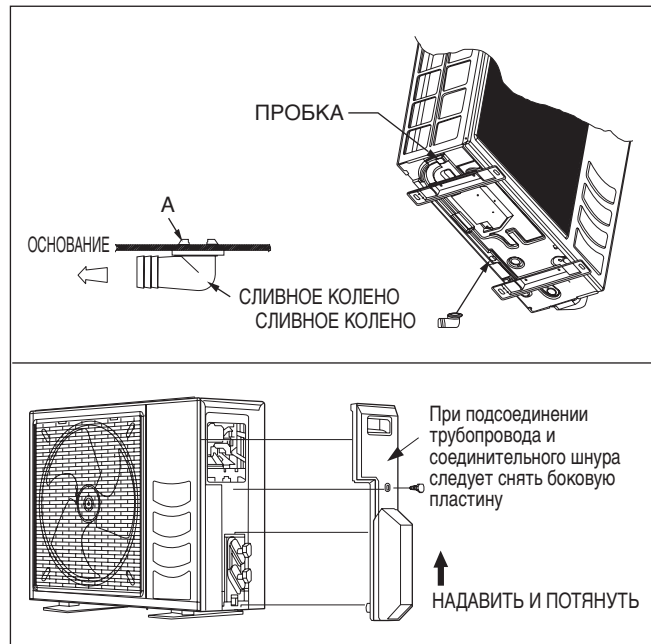
**Примечание:** При наличии любого препятствия высотой, превышающей 2м или любого препятствия, расположенного в верхней части блока, следует оставить больше пространства, чем указано в таблице выше.



## Удаление конденсированной воды из наружного блока

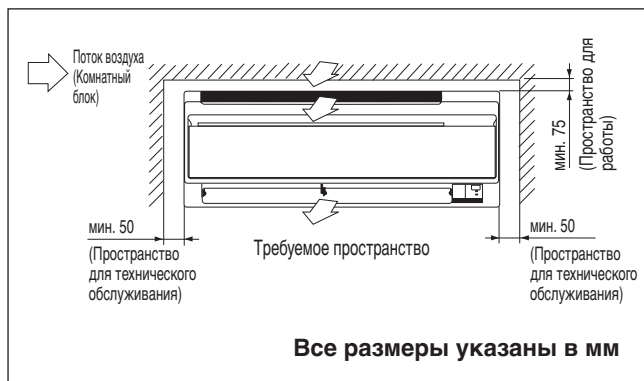
### (Только блоки с тепловым насосом)

- В основании наружного блока для удаления конденсированной воды имеются 2 отверстия. Вставьте сливное колено в одно из отверстий.
- Для установки сливного колена вставьте сначала одну часть крюка в основание (часть А), затем во время установки другой части в основание расположите сливное колено в соответствии с направлением, указанным стрелкой. После установки убедитесь, что сливное колено плотно прилегает к основанию.
- Если блок устанавливается в снежной и холодной местности, конденсированная вода может замерзнуть в основании. В этом случае снимите пробку, расположенную на днище блока, чтобы обеспечить беспрепятственный сток.



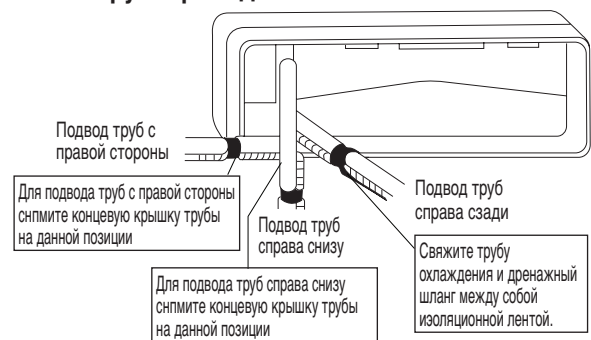
## УСТАНОВКА КОМНАТНОГО БЛОКА

Внутренний блок должен быть установлен таким образом, чтобы предотвратить замыкание холодного выпускаемого воздуха и горячего рециркуляционного воздуха. Пожалуйста, соблюдайте установочные габариты, показанные на рисунке. Не размещайте внутренний блок в месте возможного воздействия на него прямого солнечного света. Кроме того, месторасположение должно быть пригодным для прокладки трубопровода и дренажной системы, а также должно находиться в удалении от дверей и окон.



Прокладку трубопровода хладагента к блоку можно выполнить несколькими способами (с левой или с правой стороны на задней части блока), используя вырезанные отверстия на корпусе блока. Осторожно согните трубы для придания им необходимого положения и выравнивания с отверстиями. Для провода сбоку и внизу подведите трубы и расположите их в необходимом направлении. Сливной шланг для удаления конденсации можно прикрепить к трубам с помощью ленты.

### Правый боковой, правый задний или правый нижний трубопровод



### Левый боковой, левый задний или левый нижний трубопровод

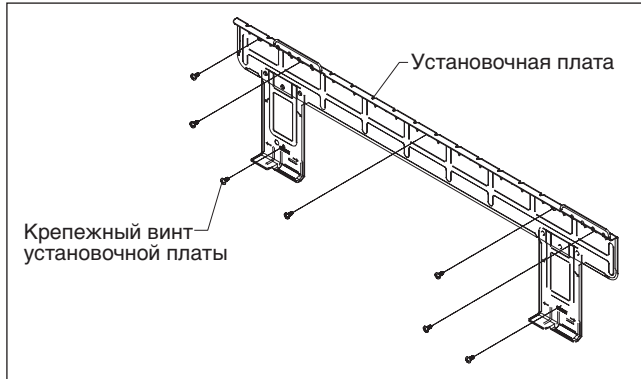


### Сборка монтажной пластины

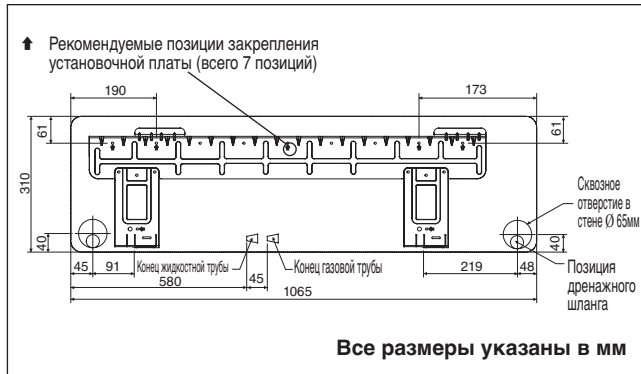
Убедитесь, что стена достаточно крепкая, чтобы выдержать вес блока. В противном случае необходимо укрепить стену пластинами, балками или стойками.

Для выравнивания по горизонтали используйте уровень и закрепите модель FTXB50/60CV1B 7 подходящими винтами.

Если задний трубопровод слишком длинны, чуть ниже на внешней стене просверлите шарошечной дрелью отверстие диаметром 65мм (см. рисунок).



### Рекомендуемая Разметка Крепления Установочной Пластины И Размеры



### Установка блока на монтажной пластине

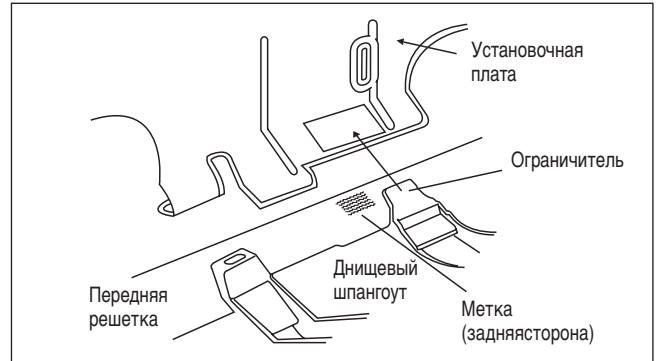
Зацепите внутренний блок за верхнюю часть монтажной пластины (Зацепите два крюка, расположенные на задней верхней части внутреннего блока, за верхний край монтажной пластины). Убедитесь, что крюки надежно зафиксированы на монтажной пластине, перемещая ее влево и вправо.

### Правила установки комнатного блока

Прицепите кулачковые захваты нижней рамы к установочной плате.

### Правила снятия комнатного блока

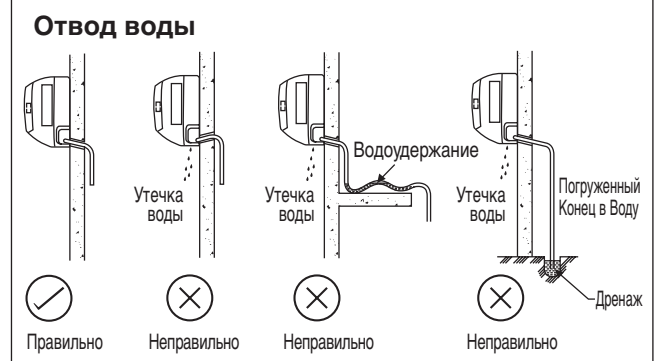
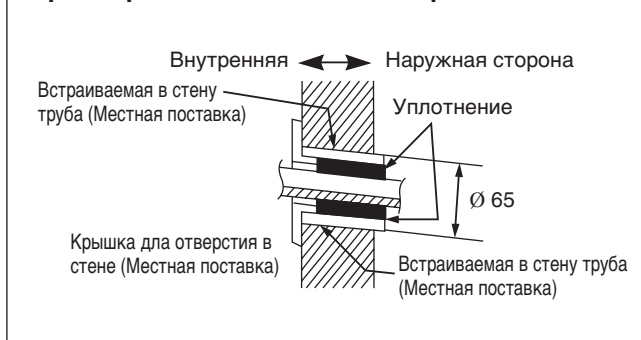
Надавите на отмеченную область (в нижней части передней решетки) для расщепления кулачков.



### Трубопровод отвода воды

Дренажная труба внутреннего блока должна быть установлена с уклоном вниз для обеспечения беспрепятственного отвода воды. Необходимо избегать ситуации, которые могут вызвать утечку воды.

### Просверлите Коническим Сверлом



### ⚠ ОСТОРОЖНО

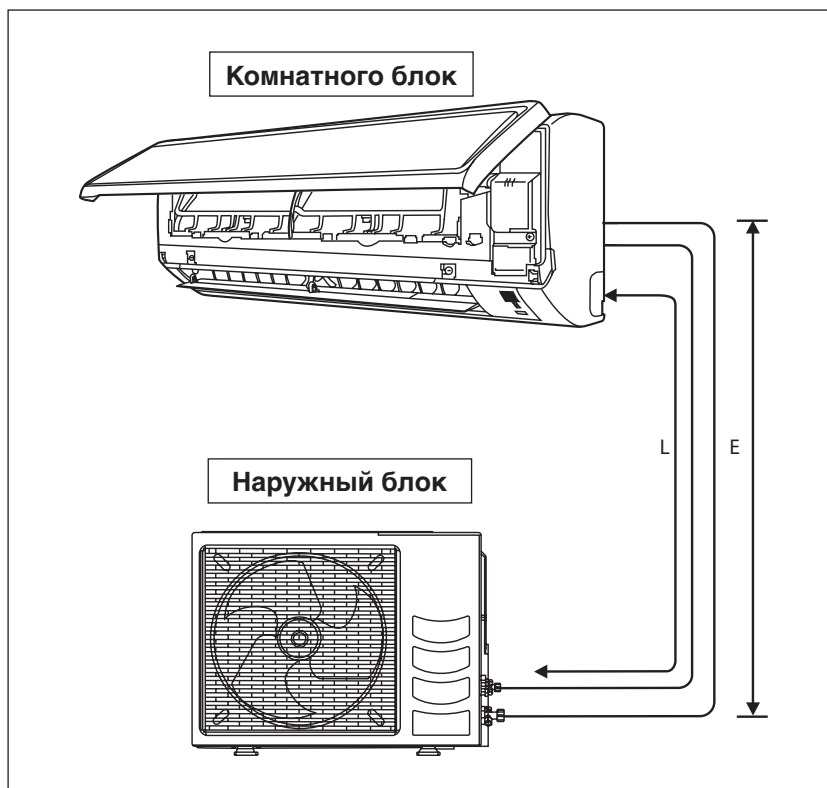
- Не рекомендуется устанавливать как внутренний, так и наружный блоки на высоте более 2000м над уровнем моря.



## ПРОВЕДЕНИЕ ТРУБОПРОВОДОВ ХЛАДАГЕНТА

### Допустимая длина трубопровода

Если трубопровод слишком длинный, это скажется на производительности и надежности системы. При возрастании количества колен увеличивается сопротивление хладагенту, что уменьшает охлаждающую способность. В результате может выйти со строя компрессор. Следует всегда выбирать самые короткие варианты прокладки и соблюдать представленные ниже рекомендации:




Модель	FTXB50CV1B	FTXB60CV1B
Мин. допустимая длина (L), м	3	
Макс. допустимая длина (L), м	30	
Максимальная допустимое поднятие (E), м	10	
Размер Трубы Для Газа, мм / (дюймах)	12,70 (1/2")	15,88 (5/8")
Размер Трубы Для Жидкости, мм / (дюймах)	6,35 (1/4")	

\* Проконтролируйте добавление требуемого количества до полного заполнения хладагентом. Невыполнение данного требования чревато ухудшением качества функционирования.

**Примечание:** Количество предварительно заправленного хладагента в наружном блоке предназначено для трубопровода длиной не более 7,5м.

### Эквивалентная длина для различных фитингов (метр)

Размер Трубы	L совместной	Ловушке изгиб
		
3/8" (OD9,52мм)	0,18	1,3
1/2" (OD12,7мм)	0,20	1,5
5/8" (OD15,9мм)	0,25	2
3/4" (OD19,1мм)	0,35	2,4
7/8" (OD22,2мм)	0,40	3
1" (OD25,4мм)	0,45	3,4
1 1/8" (OD28,6мм)	0,50	3,7
1 3/8" (OD34,9мм)	0,60	4,4

Примечания:

1. Эквивалентная длина трубопроводов получается с фактической длины газопровода
2. 90° изгиб трубы эквивалентно L сустава.

Изгибы следует выполнять осторожно, чтобы не сломать трубу. Для сгибания по возможности используйте трубогибочное оборудование.

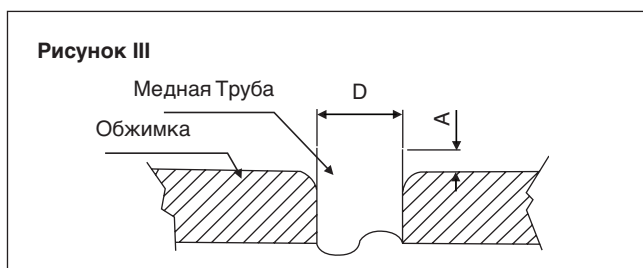
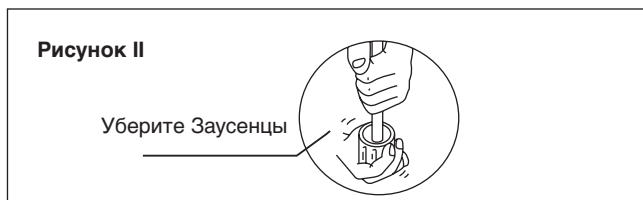
### Проведение Трубопроводов И Соединение Муфт

- Не используйте грязную или поврежденную трубную обвязку. Если какой-либо трубопровод, испаритель или конденсатор оказались под воздействием или были открыты в течение 15 секунд или более, следует произвести вакуумирование системы. В общем, не снимайте пластиковое покрытие, резиновые пробки и латунные гайки с клапанов, штуцеров, труб и змеевиков до тех пор, пока он не готов для соединения подачи газа или жидкости в клапана или штуцеры.
- Если требуется пайка, то удостоверьтесь, что газ азот проходит через змеевик и соединения, где проводится пайка. Это позволит избежать формирования копоти на внутренней стороне медных труб.
- Режьте трубы постепенно, медленно подавая полотно ножа. Чрезмерное усилие и глубокий разрез вызовут деформацию трубы и появление нежелательных выгибов. Смотрите Рисунок I.
- Уберите заусенцы с краев среза трубы съёмником. Смотрите Рисунок II. Держите трубу в верхнем положении, а приспособление для снятия заусенцев в нижнем положении для предотвращения попадания металлической стружки в трубу. Это позволит избежать неровности на поверхности, которая приведет к утечке газа.
- Вставьте штуцерные гайки, установленные на соединяющие концы как внутреннего модуля, так и внешнего модуля, на медные трубы.
- Точная длина трубы, выступающей из лицевой поверхности матрицы, определена развальцовочным инструментом. Смотрите Рисунок III.
- Надежно установите трубу в развальцовочной матрице. Отцентрируйте отверстия в матрице и развальцовочном пробойнике, а затем полностью затяните развальцовочный пробойник.

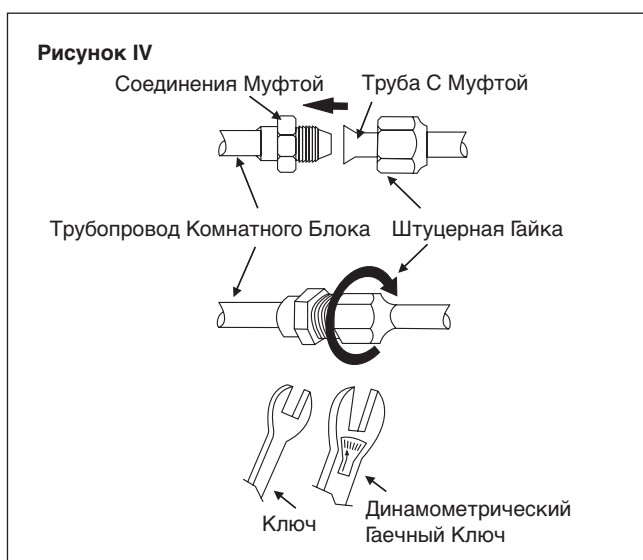
### Соединение Трубопроводов К блокам

- Отцентрируйте положение трубы и до конца затяните штуцерную гайку усилием пальцев. Смотрите Рисунок IV.
- Затем, затяните штуцер динамометрическим гаечным ключом до щелчка ключа.
- При затягивании муфты динамометрическим гаечным ключом, удостоверьтесь, что затягивание происходит в указанном стрелкой направлении.
- Соединение трубы хладагента изолировано закрытой полиуретановой ячейкой.

Размер Трубы, мм (дюйм)	Крутящий Момент, Нм / (ft-lb)
6,35 (1/4")	18 (13,3)
12,70 (1/2")	55 (40,6)
15,88 (5/8")	65 (48,0)



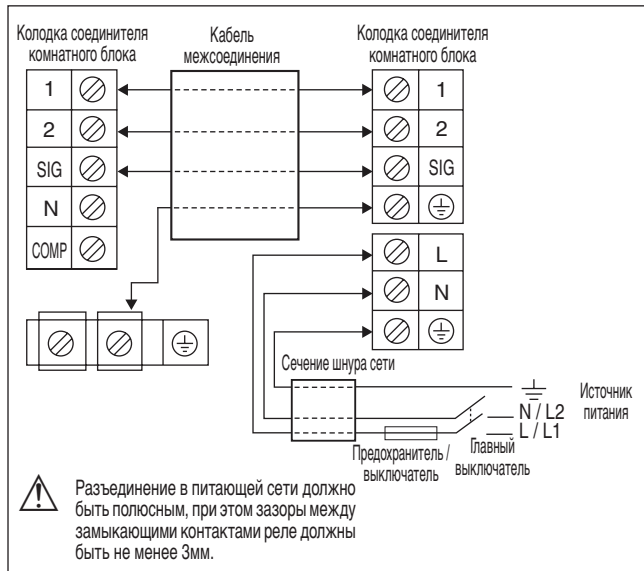
Ø Трубы, D		A (мм)	
Дюйм	мм	Империал (Барашковая гайка)	Риджид (Муфтовый тип)
1/4"	6,35	1,30	0,70
1/2"	12,70	1,90	1,30
5/8"	15,88	2,20	1,70



Русский

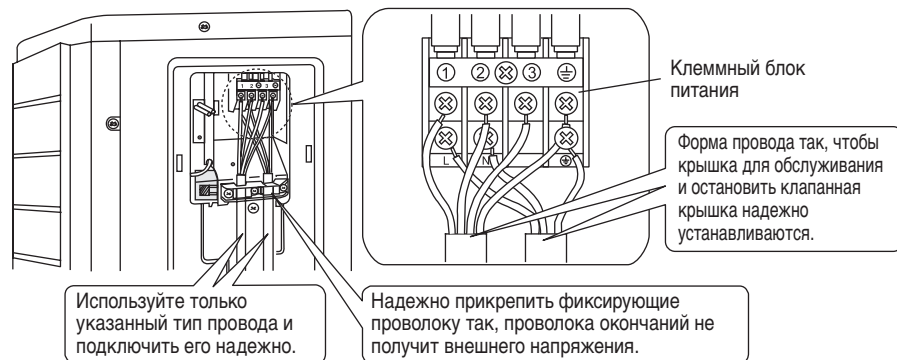
## ЭЛЕКТРИЧЕСКАЯ СХЕМА СОЕДИНЕНИЙ

- ВАЖНО:** \* Эти цифры приведены в таблице только в информационных целях. Их следует проверять и выбирать в соответствии с местными и национальными правилами и нормативами. Они также зависят от типа установки и используемых проводников.
- \*\* Соответствующий диапазон напряжений следует сверять с данными, указанными на табличке, прикрепленной к корпусу аппарата.

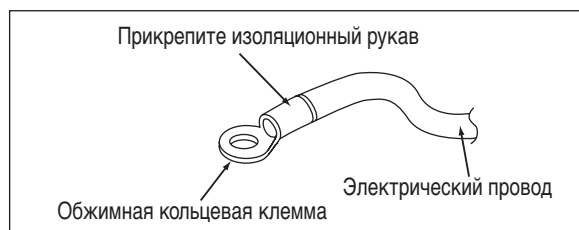


Модель	FTXB50/60CV1B RXB50/60CV1B
Диапазон напряжения**	220-240В/~/50Гц + ⊕
Сечение шнура сети*	мм <sup>2</sup> 2,5
Количество Проводов	3
Сечение Проводов Межсоединения*	мм <sup>2</sup> 2,5
Количество Проводов	4
Рекомендуемый предохранитель / выключатель рейтинг A	20

\* Если длина кабеля превышает 2м, используйте кабель большего размера.



- Все провода должны быть хорошо соединены.
- Убедитесь, что провода не соприкасаются с трубопроводом холодильного агрегата, компрессором или любыми подвижными частями.
- Проводное соединение между внутренним и внешним модулем должно быть зафиксировано при помощи прилагаемых веревочных фиксаторов.
- Шнур сети питания должен отвечать параметрам шнура H07RN-F, который представляет собой минимальные предъявляемые требования.
- Убедитесь, что соединительные зажимы и провода не подвергаются излишней нагрузке.
- Убедитесь, что все крышки плотно закрыты.
- Используйте обжимную кольцевую клемму для подсоединения проводов к терминалу электропитания. Подсоедините провода в соответствии с указаниями на терминале. (Смотри монтажную схему на блоке).



- Для окончательного затягивания винтов используйте надлежащие отвертки. Применение ненадлежащих отверток может повредить головку винта.
- Чрезмерная затяжка может повредить винт.
- Не подключайте провода различных устройств к одному терминалу.
- Правильно подключайте провода. Проводка не должна преграждать доступ к другим частям устройства и к крышке распределительной коробки.



## СПЕЦИАЛЬНЫЕ МЕРЫ ПРЕДОСТОРОЖНОСТИ ПРИ ЭКСПЛУАТАЦИИ КОНДИЦИОНЕРА С ХЛАДАГЕНТОМ R410A

R410A - это новый гидрофторуглеродный хладагент, не повреждающий озоновый слой. Рабочее давление этого нового хладагента в 1,6 раз больше, чем рабочее давление обычного хладагента (R22), поэтому очень важно соблюдать правильный порядок установки и обслуживания кондиционера.

- В кондиционерах, рассчитанных на использование R410A, запрещается применять какие-либо другие хладагенты.
- Масло POE или PVE, используемое в качестве смазочного материала для компрессора с хладагентом R410A, отличается от минерального масла, используемого для компрессора с хладагентом R22. Во время выполнения установки или сервисного обслуживания необходимо принять дополнительные меры предосторожности, чтобы не допускать воздействия влажного воздуха на систему R410A. Оставшееся в трубопроводе и деталях масло POE или PVE и компоненты могут поглощать влагу из воздуха.
- Во избежание неправильной заправки диаметр сервисного патрубка на раструбном вентиле отличается от диаметра соответствующего патрубка для R22.

- Используйте исключительно инструменты и материалы, предназначенные для хладагента R410A. Инструменты специально для R410A: распределительная гребенка, заправочный шланг, манометр, детектор утечки газа, развальцовочные инструменты, ключ с регулируемым крутящим моментом, вакуумный насос и баллон для хладагента.
- Так как в кондиционере на R410A используется более высокое давление, чем в установках на R22, важно правильно выбрать медные трубы. Запрещается использовать медные трубы толщиной менее 0,8 мм, даже если они есть в продаже.
- В случае утечки газообразного хладагента во время выполнения работ по установке или обслуживанию необходимо хорошо проветрить помещение. При соприкосновении газообразного хладагента с огнем возможно образование ядовитого газа.
- При установке или демонтаже кондиционера следите за тем, чтобы в контуре хладагента не осталось воздуха или влаги.

## ОТКАЧКА ВОЗДУХА И ЗАПРАВКА

Откачка воздуха необходима для ликвидации влаги и воздуха из системы.

### Вакуумирование трубопровода и внутреннего блока

За исключением внешнего модуля, который предварительно заправлен хладагентом, внутренний модуль и соединительные трубы хладагента должны быть продуты, поскольку воздух, содержащий остающуюся в системе хладагента влагу, может вызвать сбой в работе компрессора.

- Снимите колпачки с клапана и входа технического обслуживания.
- Соедините центр нагнетательной коробки к вакуумному насосу.
- Соедините нагнетательную коробку к 3-ходовому клапану входа технического обслуживания.
- Включите вакуумный насос. Проводите откачку в течение примерно 30 минут. Время откачки зависит от мощности вакуумного насоса. Удостоверьтесь, что стрелка манометра нагнетательной коробки установилась на  $-760\text{мм}$  ртутного столба.

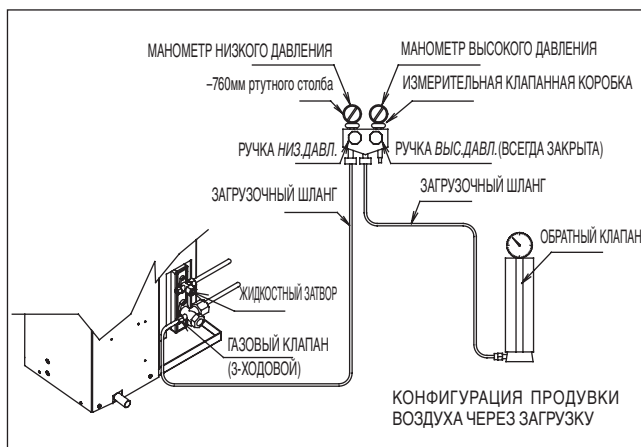
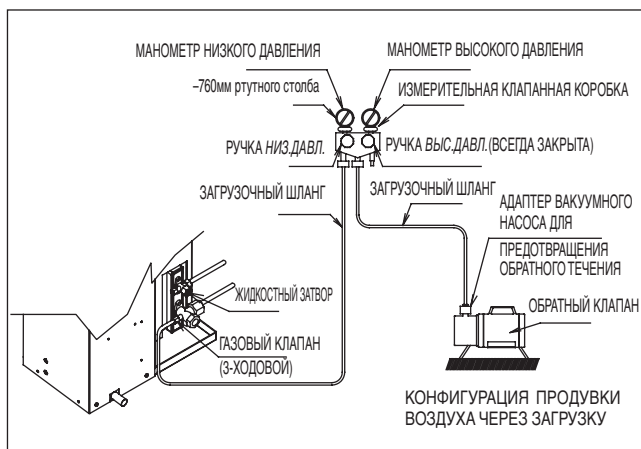
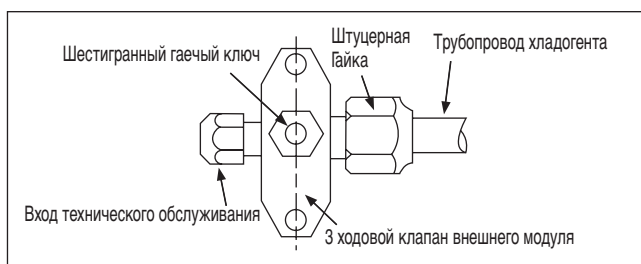
### Осторожно

- Если стрелка указателя не перемещается в  $-760\text{ммHg}$ , убедитесь в отсутствии утечек на Тип Раструб от внутреннего и наружного блоков и устранить утечку, прежде чем приступить к следующему шагу.
- Закройте клапан нагнетательной коробки и выключите вакуумный насос.
- На внешнем модуле, откройте клапан впуска (3-ходовой) и клапан жидкости (2-ходовой) (против часовой стрелки) при помощи ключа размером 4мм для шестигранного винта.

### Операция заправки

Операция должна проводиться при помощи газового цилиндра и обязательно точным дозатором. Во внешний модуль проводится с помощью клапана впуска через вход технического обслуживания.

- Снимите колпачок входа технического обслуживания.
- Подсоедините сторону низкого давления манометра заправки к всасывающему сервисному патрубку баллона и закройте сторону высокого давления манометра заправки. Прочистите от воздуха вспомогательный шланг.
- Включите модуль кондиционера.
- Откройте газовый цилиндр и заправочный клапан низкого давления.
- Когда требуемое количество хладагента заправлено в модуль, то закройте сторону низкого давления и клапан газового цилиндра.
- Отсоедините сервисный шланг от сервисного патрубка. Установите колпачок входа технического обслуживания обратно на его место.



## ДОПОЛНИТЕЛЬНАЯ ЗАПРАВКА

Хладагент заправлен заводом-изготовителем на внешнем модуле. Если длина трубопроводов меньше, чем 7,5м, то в дозаправке после откачки воздуха нет необходимости. Если длина трубопровода превышает 7,5м, используйте значение дозаправки, указанное в таблице.

### Дозаправка хладагента [гр] на дополнительный 1м длины в соответствии с данными таблицы

<b>Комнатный</b>	<b>FTXB50CV1B</b>	<b>FTXB60CV1B</b>
<b>Наружный</b>	<b>RXB50CV1B</b>	<b>RXB60CV1B</b>
<b>Дополнительная заправка [г/м]</b>	20	20

#### Например:

Для модели FTXB50CV1B & RXB50CV1B с трубопроводом длиной 12м, длина дополнительного трубопровода – 4,5м. Таким образом,

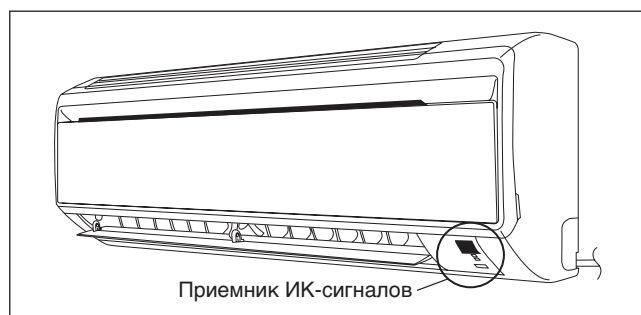
$$\begin{aligned} \text{Дополнительная Заправка} &= 4,5[\text{м}] \times 20[\text{г/м}] \\ &= 90,0[\text{г}] \end{aligned}$$

## ПОКАЗАНИЯ ИНДИКАТОРОВ

### Приемник ИК-сигналов

После передачи инфракрасного сигнала дистанционного управления произойдет срабатывание приемника сигналов на комнатном блоке, как показано ниже, для подтверждения получения передачи сигнала.

<b>ВКЛ. на ВЫКЛ.</b>	1 долгий звуковой сигнал
<b>ВЫКЛ. на ВКЛ.</b> <b>Откачка/Воздействие Охлаждением</b>	2 коротких звуковых сигнала
<b>Дополнительная информация</b>	1 коротких звуковых сигнала



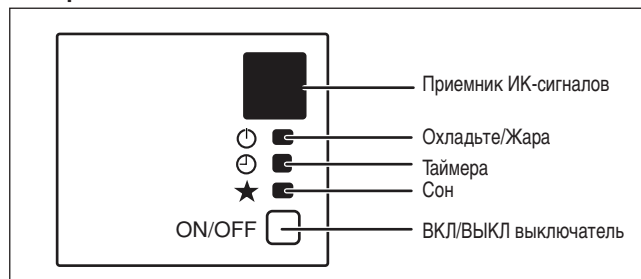
### Модуль Охлаждения/Обогревательный Насос

В таблице показана работа светодиодных индикаторов при нормальном функционировании кондиционера и при возникновении неисправностей.

Индикаторные лампочки СИД расположены на середине блока кондиционера.

Модуль обогревательного насоса оборудован датчиком режима "авто" для обеспечения оптимальной температуры в комнате автоматическим переключением либо в режим "холодно", либо в "обогрев", исходя из установленной температуры пользователем.

### Показания Индикаторов СИД Модуля Охлаждения/Обогревательный Насос



### СИД индикаторы: Нормальные Условия Функционирования и Сбой Модуля Охлаждения/Обогревательный Насос

★	ОХЛАДИТЕ / ЖАРА (ЗЕЛЕНЬИ/КРАСНЫЙ)	🕒	Операция
	○ ЗЕЛЕНОГО		Режим охлаждения
	○ КРАСНЫЙ		Обогрев
	○ КРАСНЫЙ		Режим Авто в процессе Нагрева
	○ ЗЕЛЕНОГО		Режим Авто в процессе Охлаждения
	○		Включен таймер
○	○		Включен режим ожидания
	○ ЗЕЛЕНОГО		Включен режим вентилирования
	○ ЗЕЛЕНОГО		Включен режим осушения
	● КРАСНЫЙ		Процесс размораживания
	● ЗЕЛЕНОГО		Ошибка блока

○ ВКЛ

● Мигание

## РАБОТА КОНДИЦИОНЕРА

### Режим Осушения

- При высокой влажности воздуха кондиционер может работать в режиме осушения. Нажмите кнопку <РЕЖИМ> и выберите режим <ОСУШЕНИЕ>.
- Если температура в помещении на 2°C/3,6°F выше заданной температуры, перед тем как перейти в режим осушения кондиционер будет работать в режиме охлаждения до тех пор, пока не достигнет 2°C/3,6°F диапазона перепада в сравнении с заданной температурой.
- Если температура в помещении находится в рамках 2°C/3,6°F диапазона перепада температур по сравнению с заданной температурой, кондиционер будет сразу работать в режиме осушения.
- В режиме осушения кондиционер будет работать на НИЗКОЙ скорости.

### Обогрев (только для теплового насоса)

- Когда кондиционер включается из холодного запуска или из цикла размораживания, внутренний вентилятор начнет работу только после того, как змеевик достигнет необходимой температуры.
- По достижении заданной температуры вентилятор внутреннего блока будет работать до тех пор, пока змеевик не перестанет производить дополнительное тепло.

### Управление Потокom Воздуха

- Для увеличения эффективности циркуляции воздуха положение решетки выпуска воздуха можно отрегулировать влево или вправо вручную.
- Во время работы в режиме охлаждения или осушения не следует надолго направлять жалюзи выпуска воздуха вниз. Если во время работы кондиционера жалюзи будут находиться в таком положении длительное время, на них может образоваться конденсат, что приведет к капанию воды.

### Скорость вентилятора и номинальная степень охлаждения

- Номинальная степень охлаждения обеспечивается при скорости вентилятора HIGH.
- Номинальная степень охлаждения ниже при режиме модуля, работающего при скорости вентилятора СРЕД и НИЗК.

### Примечания по углам поворота створок и жалюзи

- При пользовании кнопкой “ПОВОРОТ” диапазон углов поворота створок зависит от режима работы. (См. рисунок)

### ВНИМАНИЕ

- Для регулировки угла поворота створок всегда пользуйтесь дистанционный блок управления. Если вы попытаетесь с усилием вручную перемещать створки во время их поворачивания, то возможна поломка механизма.
- При регулировке раскрытия жалюзи соблюдайте осторожность. Внутри воздуховыпускного узла вентилятор вращается с высокой скоростью.

### Защита От Перегрева (только для теплового насоса)

- Слишком высокая внутренняя и/или внешняя температура, загрязненность или засорение фильтра могут привести к перегреву хладагента. При достижении температурой конденсации 62°C/143,6°F компрессор выключится.

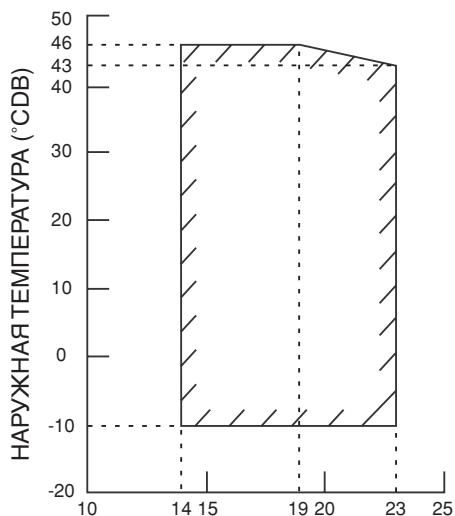
### Предотвращение Замерзания

- При загрязнении воздушного фильтра температура испарения будет уменьшаться, что приведет со временем к замерзанию.
- Если температура испарения достигает -1°C/33,8°F, модуль автоматически отключится.

## РАБОЧИЙ ДИАПАЗОН

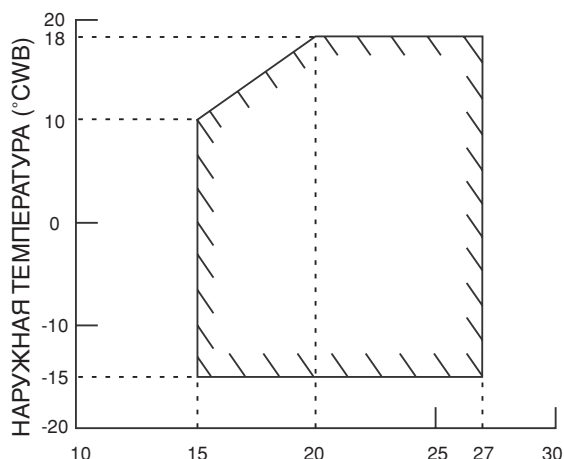
Модель: FTXB50/60CV1B  
RXB50/60CV1B

ОХЛАЖДЕНИЕ



ВНУТРЕННЯЯ ТЕМПЕРАТУРА (°CWB)

ОЪОГРЕВ



ВНУТРЕННЯЯ ТЕМПЕРАТУРА (°CDB)

DB: По сухому термометру

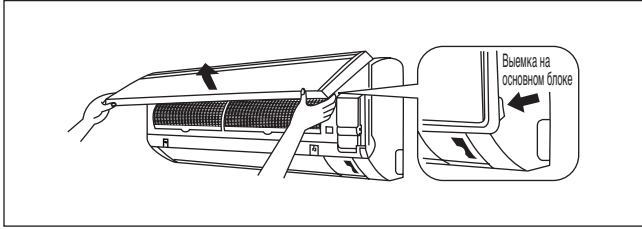
WB: По влажному термометру



## ВОЗДУШНЫЙ ФИЛЬТР

### 1. Откройте лицевую панель.

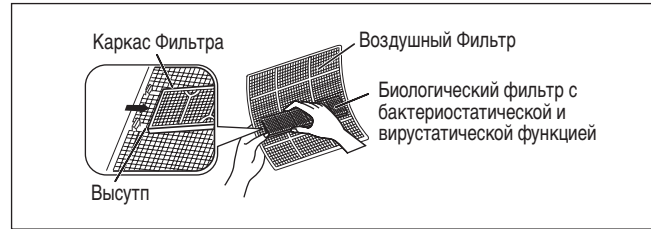
- Возьмитесь за панель в местах углублений на основном блоке (2 углубления с правой и левой стороны) и поднимите ее до упора.



### 4. Очистите или замените каждый из фильтров.

См. рисунок.

- При удалении оставшейся воды, не скручивайте фильтр.

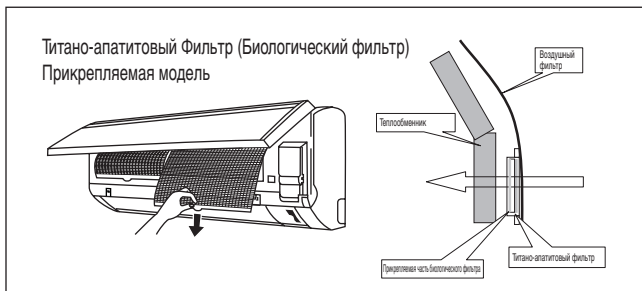


### 2. Вытяните наружу воздушные фильтры.

- Переместите немного вверх петлю в центре каждого воздушного фильтра и затем потяните его вниз.

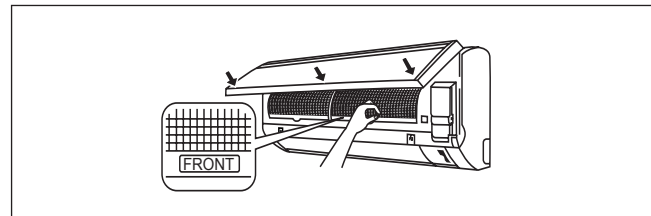
### 3. Снимите Биологический фильтр с бактериостатической и вирустатической функциями.

- Удерживайте каркас за наружные выточки и расцепите 4 кулачковых захвата.



### 5. Установите воздушный фильтр и Биологический фильтр с бактериостатической и вирустатической функцией и закройте переднюю панель.

- Зацепите захватные кулачки фильтров за пазы лицевой панели. Медленно закройте лицевую панель и толчком зафиксируйте ее в трех точках. (по одной с каждой боковой стороны и посередине.)
- Воздушный фильтр и Биологический фильтр с бактериостатической и вирустатической функцией имеют симметричную форму в горизонтальном направлении.



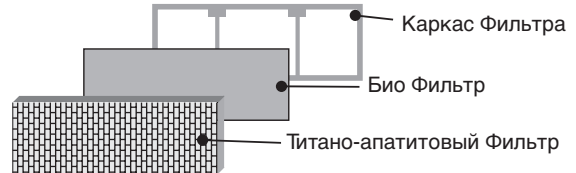
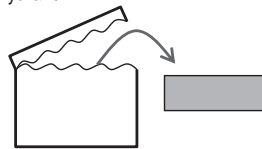
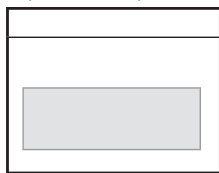
\* Био Фильтр и Титано-апатитовый Фильтр являются дополнительными принадлежностями.

### Порядок установки Биологического фильтра

Био Фильтр фильтр упакован в герметично закрытый пакет.

Снимите его во время установки.

Плавно вставьте фильтр между рамой фильтра и Титано-апатитовым фильтром.



## ⚠ ОСТОРОЖНО

- Биологический фильтр следует использовать во время **сухого периода**, например, зимой.
- **Хранение, обращение и способ утилизации.**
  - Срок службы данного Биологического фильтра составляет примерно год после его открытия.
  - В случае если данный фильтр не используется сразу же после открытия, не следует класть его в место, где он будет подвержен воздействию прямого солнечного света, высоких температур и/или высокой влажности.
  - По производственным причинам цвет Биологического фильтра может слегка отличаться, что не оказывает влияния на эксплуатационные характеристики устройства.
  - Откройте данный пакет непосредственно перед использованием. Биологический фильтр должен оставаться в своей закрытой и герметичной упаковке вплоть до открытия непосредственно перед использованием.
  - Во избежание опасности удушья и любого другого несчастного случая после извлечения Биологического фильтра следует сразу же выбросить пластиковый пакет. Хранить в недоступном для детей месте.
  - При более длительном хранении Биологического фильтра его следует хранить неоткрытым в прохладном месте, избегая воздействия прямого солнечного света.
  - После использования Биологического фильтра следует утилизировать как невоспламеняющийся мусор.
- **Работа с загрязненными фильтрами:**
  - (1) невозможность дезодорирования воздуха.
  - (2) невозможность очистки воздуха.
  - (3) результирующее ухудшение нагрева или охлаждения.
  - (4) возможное появление запаха.
- Чтобы заказать Биологический фильтр, обратитесь в магазин, в котором был приобретен кондиционер воздуха.



**Примечание действительна только для Турции: срок службы нашей продукции в десять (10) лет**

Узлы Обслуживания	Процедуры Технического Обслуживания	Время
<b>Комнатного воздушный фильтр</b>	1. Очистите от пыли фильтр пылесосом или вымойте его в теплой воде (ниже 40°C/104°F) нейтральным моющим средством. 2. Хорошо прополоскайте и высушите фильтр перед установкой его обратно в блок. 3. Не используйте бензиновые, легкоиспаряющиеся вещества или химические средства для очистки фильтра.	Не реже 1 раза каждые 2 недели.  При необходимости чаще.
<b>Комнатного блок</b>	1. Очистите от грязи или пыли решетку или панель, вытирая при помощи мягкой ткани смоченной в теплой воде (ниже 40°C/104°F) нейтральным моющим средством. 2. Не используйте бензиновые, легкоиспаряющиеся вещества или химические средства для очистки комнатного блока.	Не реже 1 раза каждые 2 недели.  При необходимости чаще.

**⚠ ОСТОРОЖНО**

- Не допускайте контакта средств, применяемых для очистки змеевика, с пластмассовыми деталями. Они вступают в реакцию с пластмассой, а это может стать причиной деформации детали.

**1. Откройте лицевую панель.**

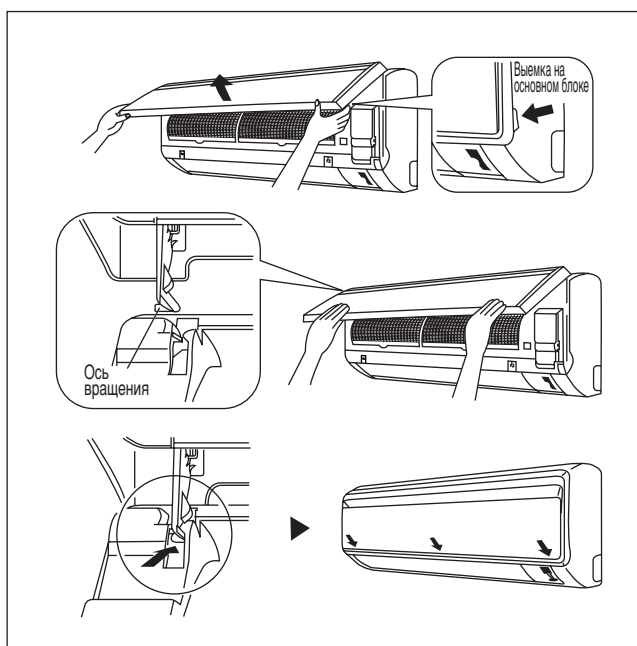
- Возьмитесь за панель в местах углублений на основном блоке (2 углубления с правой и левой стороны) и поднимите ее до упора.

**2. Снимите лицевую панель.**

- Поднимая лицевую панель, сдвиньте ее вправо и потяните к передней стороне. Левая ось вращения отсоединится. Сдвиньте правую ось вращения влево и потяните ее к передней стороне для снятия.

**3. Прикрепите лицевую панель.**

- Выровняйте правую и левую оси вращения лицевой панели с пазами и протолкните их.
- Осторожно закройте лицевую панель. (Нажмите на лицевую панель с обоих концов и по центру.)



## ⚠ ОСТОРОЖНО

- Не прикасайтесь к металлическим частям внутреннего блока. Это может привести к телесным повреждениям.
- При снятии или к реплении лицевой панели надежно придерживайте панель рукой для предотвращения ее падения.
- Для очистки пользуйтесь водой с температурой не выше 40°C, бензин, керосин, разжижитель, другие летучие масла, полировочные составы, щетки с жесткой щетиной или какие-либо другие подручные средства.
- После очистки убедитесь в плотном закрытии лицевой панели.

### Длительный перерыв в использовании кондиционера

<p>Включите кондиционер и оставьте его работать в течение 2 часов со следующими настройками.</p> <p>Режим работы : охлаждение Температура : 30°C/86°F</p>		<p>Извлеките штепсель шнура питания из сетевой розетки.</p> <p>При использовании для кондиционера независимой электрической цепи выключите цепь.</p> <p>Извлеките батарейки из пульта дистанционного управления.</p>	
---	---	--	---

### МЕРЫ ПО УСТРАНЕНИЮ

**С любыми вопросами по поводу запасных частей обращайтесь, пожалуйста, к уполномоченному дилеру. При обнаружении сбоев в работе модуля кондиционера, немедленно выключите питание сети модуля. Проверьте нижеследующие признаки неисправностей, причины и советы простейших мер по устранению.**

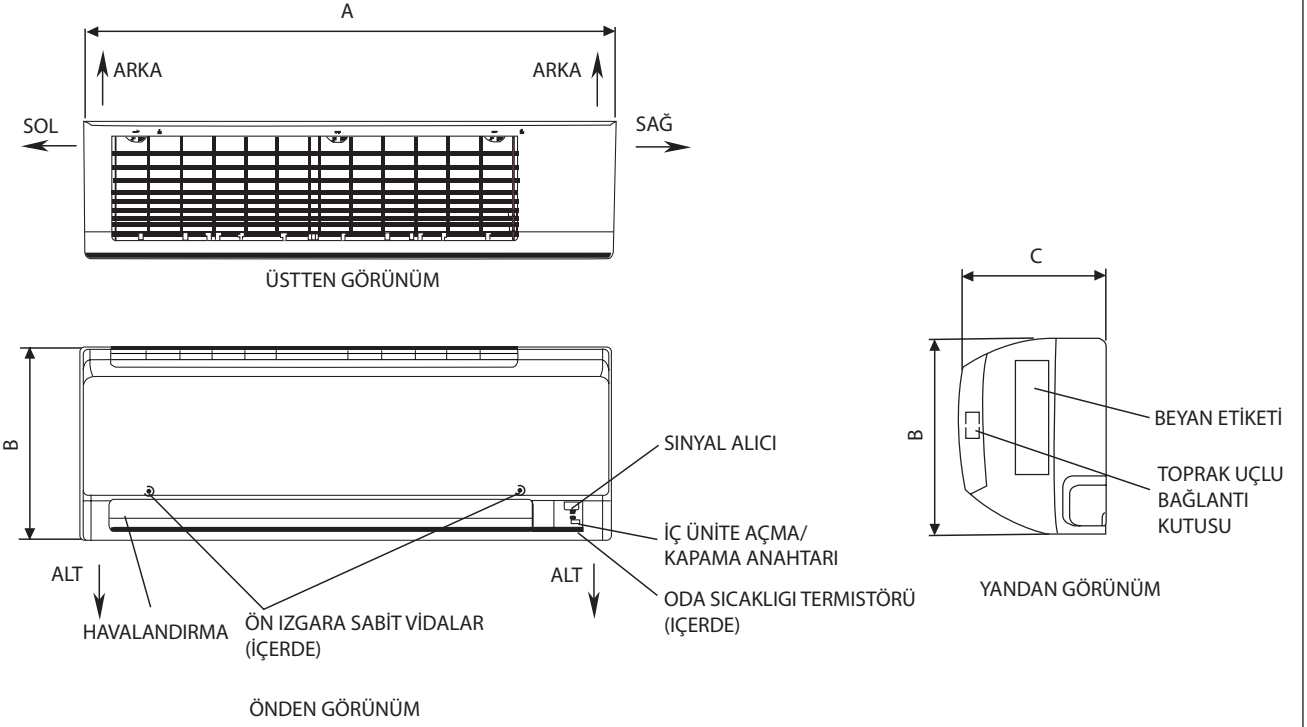
Неисправность	Причины/действия
1. Компрессор не функционирует по прошествии 3 минут после включения модуля кондиционера.	– Защита от частого включения. Подождите от 3 до 4 минут, чтобы компрессор включился.
2. Кондиционер не работает.	– Отсутствие сетевого питания или требуется замена предохранителя. – Вилка не вставлена. – Существует вероятность того, что таймер задержки установлен неправильно. – Если неисправность не удастся устранить после проведения всех проверок, обратитесь к Вашему установщику кондиционера.
3. Очень незначительный поток воздуха.	– Воздушный фильтр загрязнен. – Открыты двери или окна. – Забился впуск и выпуск воздуха. – Установленная температура недостаточно высока.
4. При выпуске воздуха имеется неприятный запах.	– Неприятный запах может быть вызван сигаретами, частицами дыма, парфюмерии и т.п., которые могли осесть на змеевике.
5. Конденсат на передней решетке комнатного блока.	– Это вызвано влагой в воздухе после продолжительного времени функционирования. – Установленная температура слишком низка, увеличьте установленную температуру и установите скорость вентилятора на высокую.
6. Вода выливается из кондиционера.	– Выключите кондиционер и обратитесь к дилеру.

**Если неисправность неустранима, пожалуйста, обращайтесь к Вашему местному дилеру / специалисту.**

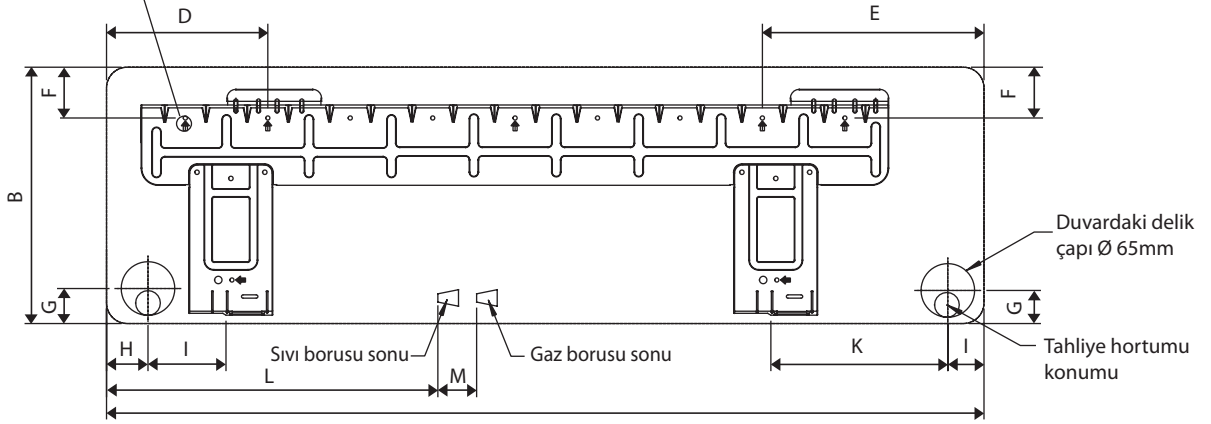
## DIŐ HATLAR VE EBATLAR

### İç Mekan Ünitesi

ISARETİ ( → ) BORU TESİSATININ YÖNÜNÜ GÖSTERİR

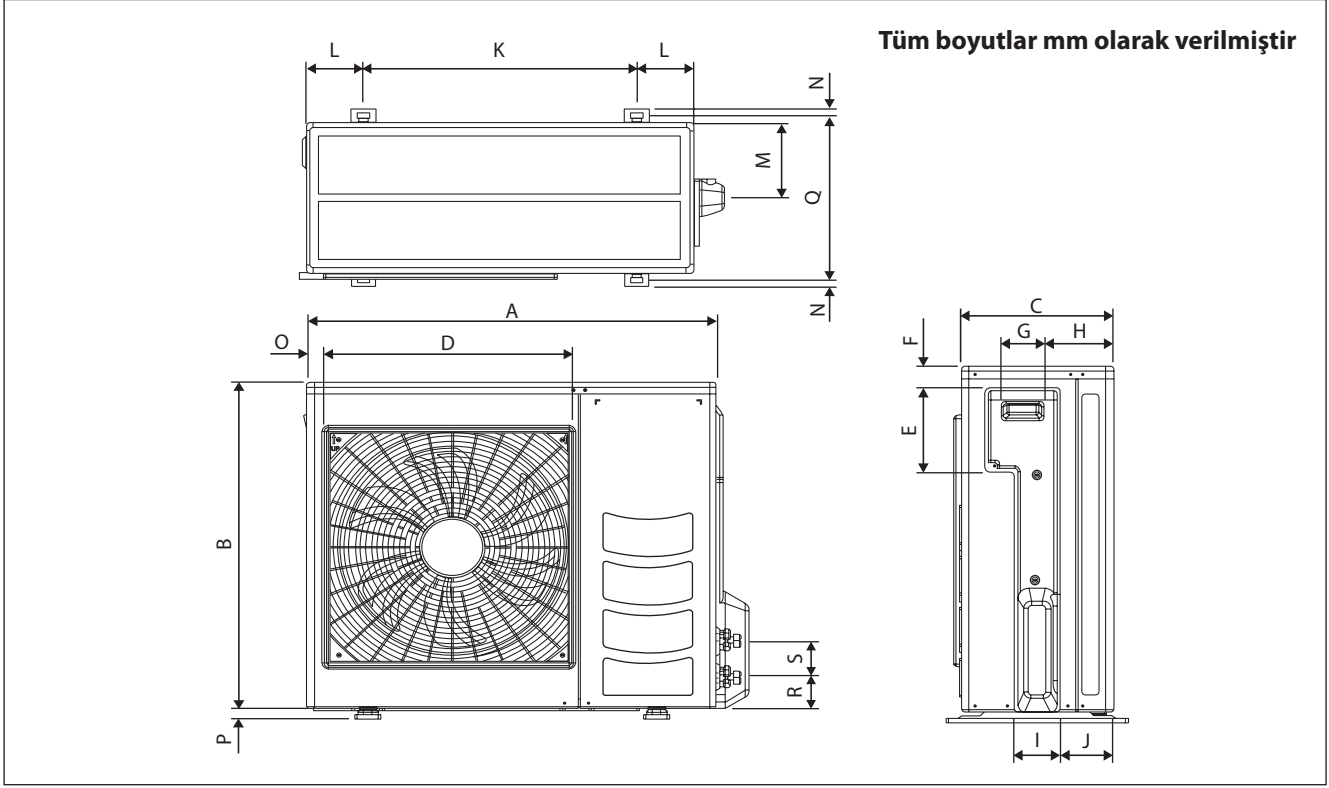


↑ Tavsiye edilen montaj plakası yerleştirme noktaları  
(tümünde 7 nokta)



Modeller	Boyutlar												
	A	B	C	D	E	F	G	H	I	J	K	L	M
FTXB50/60CV1B	1065	310	228	190	173	61	40	45	48	91	219	580	45

## Dış Mekan Ünitesi RXB50/60CV1B



Boyutlar Modeller	A	B	C	D	E	F	G	H	I	J	K	L	M	N
RXB50/60CV1B	855	730	328	520	179	46	93	149	101	113	603	126	164	15

Boyutlar Modeller	O	P	Q	R	S
RXB50/60CV1B	34	23	362	73	75

# KURULUM KILAVUZU

Bu el kitabında, klima ünitesi için güvenli ve iyi çalışma standardı sağlamak için gerekli kurulum prosedürleri verilmektedir.

Yerel gereksinimlere uyum sağlamak için özel ayarlama gerekli olabilir.

Klimanızı kullanmadan önce, lütfen bu talimat el kitabını dikkatli bir şekilde okuyun ve ileride başvurmak üzere saklayın.

Bu cihaz, uzman veya eğitimli kişiler tarafından mağazalarda, aydınlatma endüstrisinde ve çiftliklerde veya meslekten olmayan kişiler tarafından ticari amaçlı olarak kullanılacak şekilde tasarlanmıştır.

Bu cihaz, güvenliklerinden sorumlu bir kimse tarafından cihazın kullanımıyla ilgili nezaret veya talimat sağlanmadıkça çocuklar dahil düşük fiziksel, duysal veya zihni yeteneklere sahip veya deneyimden ve bilgiden yoksun kişilerin kullanımına yönelik değildir.

Cihazla oynamadıklarının garantiye alınması için çocuklar gözetim altında bulundurulmalıdır.





## GÜVENLİK ÖNLEMLERİ

### ⚠ UYARI

- Kurulum ve bakım işlemleri, yerel kuralları ve yönetmelikleri bilen, bu tür cihazlar konusunda tecrübesi olan kalifiye kişiler tarafından yapılmalıdır.
- Sahadaki tüm elektrik tesisatı, ulusal kablolama yönetmeliklerine uygun bir şekilde yapılmalıdır.
- Elektrik tesisat şemasına göre kabloları çekmeye başlamadan önce ünitenin voltaj değerinin, işletim değerleri plakasındaki değerle aynı olduğuna emin olunuz.
- Yalıtım yetersizliğinin neden olabileceği olası tehlikeleri önlemek için ünite TOPRAKLANMALIDIR.
- Hiçbir elektrik kablosu, soğutucu borularına veya fan motorlarının hareketli kısımlarına temas etmemelidir.
- Üniteyi kurmadan veya üniteye bakım yapmadan önce ünitenin KAPALI duruma getirildiğinden emin olunuz.
- Klimaya bakım yapmadan önce ünitenin kablosunu ana elektrik şebekesinden çıkarınız.
- Güç açık durumdayken güç kablosunu ÇEKMEYİN. Bu, yangın tehlikesiyle sonuçlanabilen ciddi elektrik çarpmalarına neden olabilir.
- Parazitli resimleri ve paraziti önlemek için, iç ve dış üniteleri, güç kablosu ve nakil tertibatını TV'lerden ve radyolardan en az 1m uzakta tutun. {Elektrik dalgalarının türü ve kaynağına bağlı olarak, parazit 1m'den daha fazla uzaklıktan bile duyulabilir}.

### ⚠ DİKKAT

Lütfen kurulum yaparken aşağıdaki önemli noktalara dikkat edin.

- **Üniteyi yanıcı gaz sızıntısının olabileceği yerlere kurmayın.**  
 Ünite etrafında gaz sızır ve birikirse, yangına neden olabilir.
- **Tahliye borularının doğru bağlandığından emin olun.**  
 Tahliye boruları düzgün bağlanmazsa, su sızıntısına neden olabilir ve ev eşyasını ıslatır.
- **Üniteyi aşırı yüklemeyin.**  
 Bu ünite fabrikada önceden yüklenmiştir. Aşırı yükleme aşırı akıma veya kompresör hasarına neden olur.
- **Bakım veya kurulumdan sonra ünite panelinin kapatıldığından emin olun.**  
 Emniyete alınmamış paneller ünitenin gürültülü çalışmasına neden olur.
- **Keskin kenarlar ve bobin yüzeyleri yaralanma tehlikesinin olabileceği yerlerdir. Bu yerlere temas etmekten kaçının.**
- **Güç kaynağını kapatmadan önce, ünitenin sıkıntı çıkarmasını önlemek için uzaktan kumandanın ON/OFF anahtarını "OFF" konumuna getirin.** Bu yapılmazsa, elektrik yeniden geldiğinde ünitenin fanları otomatik olarak çalışmaya başlar ve bu durum bakım personeli veya kullanıcıya karşı tehlike oluşturur.
- **Üniteleri kapı yoluna veya yakınına kurmayın.**
- **Klima ünitesine çok yakında ısıtma aygıtları çalıştırmayın veya mineral yağ, yağ buharı ya da istimi bulunan odalarda kullanmayın, aşırı ısı veya kimyasal reaksiyon plastik kartın erimesine veya deforme olmasına neden olabilir.**
- **Ünite, mutfakta kullanıldığında onun ünite tarafından emilmesini önleyin.**
- **Bu ünite, soğutma yağı buharını veya demir tozunun ya da voltaj dalgalanmalarının çok olduğu yerlerde imalathane için uygun değildir.**
- **Üniteyi, kaplıca veya yağ rafineri tesisi gibi sülfür gazının bulunduğu alanlara kurmayın.**
- **Dış mekan ünitesinin kablolarının renkleri ile iç mekan ünitesinin terminal renklerinin aynı olduğundan emin olunuz.**
- **ÖNEMLİ : KLİMA ÜNİTESİNİ ÇAMAŞIR YIKANAN BİR ODAYA KURMAYIN.**
- **Gelen güç kaynağında ekli veya kıvrılmış kablolar kullanmayın.**
- **Ekipman potansiyel olarak patlayıcı olan bir ortamda kullanılmak üzere tasarlanmamıştır.**

## UYARI

### Atım Şartları

Klima cihazınızın üzerinde bu simge yer almaktadır. Bu, elektrikli ve elektronik ürünlerin, ayrıştırılmamış ev atıkları ile karıştırılmayacağını ifade etmektedir.

Sistemi kendi başınıza sökmeye kalkışmayınız: Klimanın sökülmesi ile soğutucu, yağ ve diğer parçalarla ilgili işlemler; yerel ve ulusal düzeyde ilgili yasalara uygun bir şekilde, kalifiye bir montaj elemanı tarafından gerçekleştirilmelidir.

Klimaların yeniden kullanılması, geri dönüştürülmesi ve geri kazanım işlemleri, bu konuda uzmanlığa sahip özel bir tesiste yapılmalıdır. Bu ürünün gerektiği gibi elden çıkarılmasını sağlayarak, çevre ve insan sağlığı açısından olası olumsuz sonuçları önlemeye yardımcı olacaksınız. Bu konuda daha fazla bilgi edinmek için lütfen kurulum yetkilisine veya yerel yetkililere danışın.

Bataryalar, uzaktan kumandanın çıkarıldıktan sonra, yerel ve ulusal düzeyde ilgili yasalara uygun olarak, ayrı bir şekilde elden çıkarılmalıdır.



## ÖNEMLİ

### Kullanılan soğutucuyla ilgili önemli bilgiler

Bu ürün, florlu sera gazları içerir.

Gazları atmosfere salmayın.

Soğutucu türü: R410A

GWP <sup>(1)</sup> değeri: 2087,5

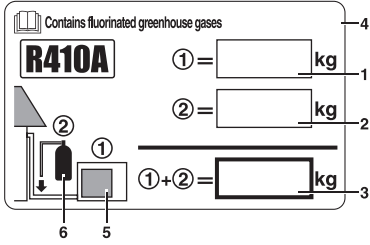
<sup>(1)</sup> GWP = Dünyayı Isıtma Potansiyeli

Lütfen silinmez mürekkeple doldurun,

- ① ürünün fabrika soğutucu şarjı,
- ② bölgede ek olarak şarj edilen soğutucu miktarı ve
- ① + ② toplam soğutucu şarjı

ürünle birlikte gelen soğutucu şarj etiketi.

Doldurulan etiketler ürün şarj yuvasının yakınlarına yapıştırılmalıdır (ör. servis kapağının içine doğru).



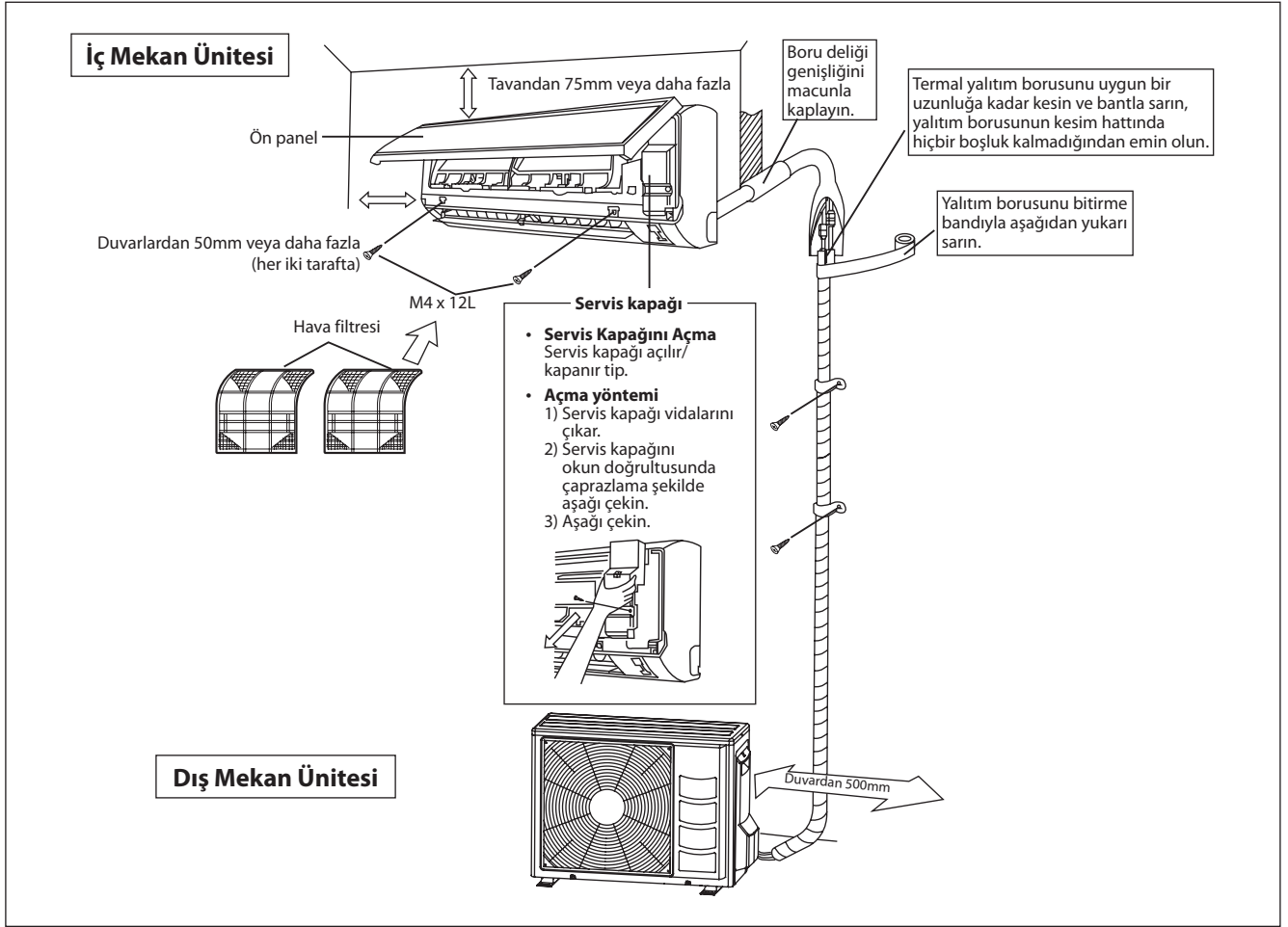
- 1 ürünün fabrika soğutucu şarjı:  
bkz. ünite adı plakası <sup>(2)</sup>
- 2 bölgede şarj edilen ilave soğutucu miktarı
- 3 toplam soğutucu şarjı
- 4 florlu sera gazları içerir
- 5 dış mekan ünitesi
- 6 soğutucu silindiri ve şarj için manifold

<sup>(2)</sup> Birden fazla iç sistem olması durumunda, yalnızca 1 etiket yapıştırılmalıdır\*, soğutucu sisteme bağlı olan tüm iç ünitelerin toplam fabrika soğutucu şarjını belirtmelidir.

Avrupa veya yerel yasalara bağlı olarak periyodik soğutucu sızıntısı muayeneleri gerekli olabilir. Lütfen daha fazla bilgi için yerel satıcınızla irtibata geçin.

\* dış mekan ünitesi

## KURULUM ŞEMASI



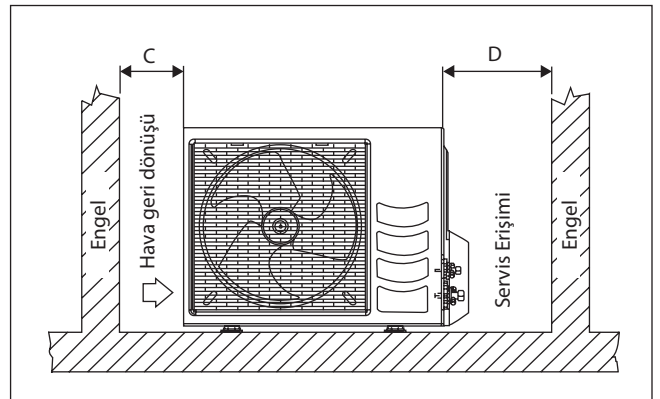
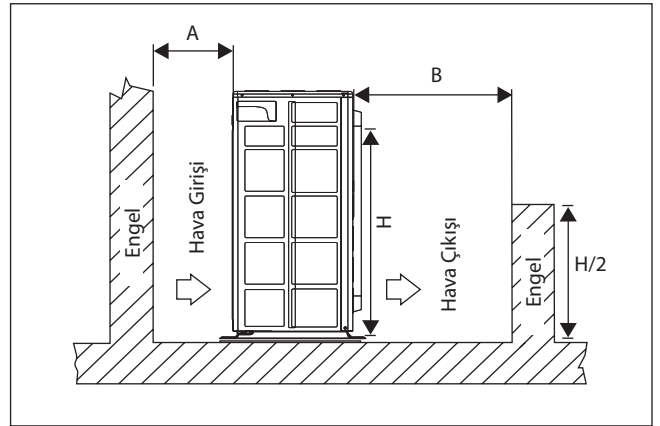
## DIŞ ÜNİTENİN KURULUMU

Dış ünite, tahliye edilen sıcak havanın kısa devre yapması veya hava akışının kısıtlanması engellenecek şekilde takılmalıdır. Lütfen kurulum sırasında şekilde gösterilen mesafeleri muhafaza ediniz. Girişteki hava sıcaklığının dış hava sıcaklığından daha yüksek olmadığı mümkün olan en serin yeri seçin (çalışma aralığına bakın).

### Kurulum Mesafeleri

Boyutlar	A	B	C	D
Minimum Mesafe, mm	300	1000	300	500

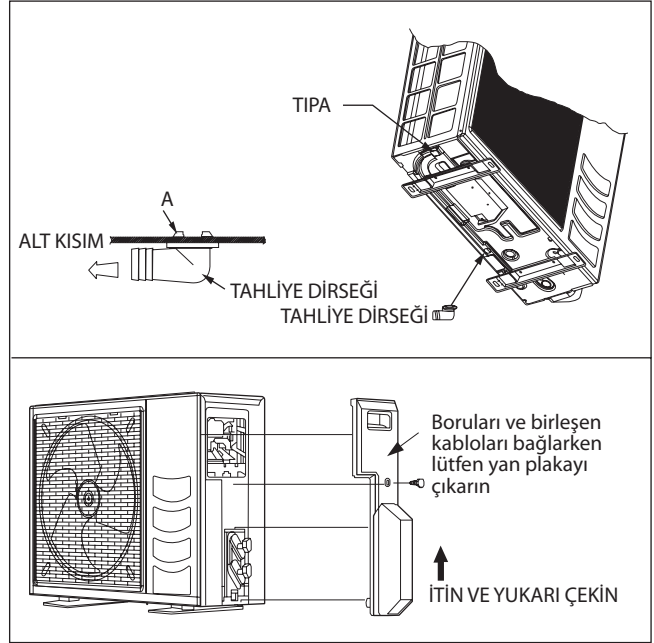
**Not:** Eğer yüksekliği 2 metreyi aşan bir engel varsa veya ünitenin üst tarafında bir engel varsa, lütfen yukarıdaki tabloda belirtilenden daha fazla mesafe bırakınız.





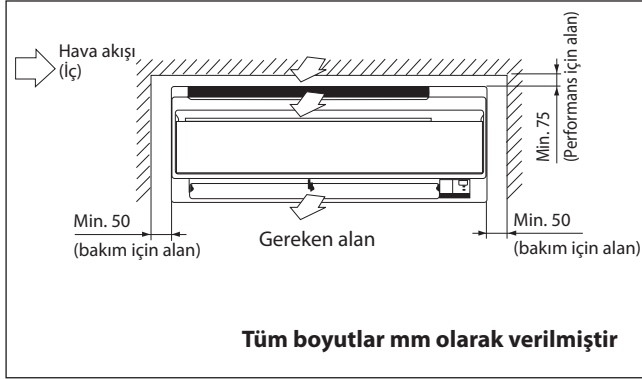
## Dış Ünitenin Yoğunlaşmış Suyunun İmhası (Yalnızca Isı Pompası Ünitesi)

- Dış Ünitenin alt kısmında yoğunlaşan suyun akması için 2 delik bulunmaktadır. Tahliye dirseğini deliklerden birine sokun.
- Tahliye deliğini kurmak için, kancanın bir kısmını en alta takın (A kısmı), sonra diğer kısmını alta takarken tahliye deliğini ok tarafından gösterilen yöne doğru çekin. Kurulumdan sonra, tahliye dirseğinin en alta sıkıca oturduğundan emin olmak için kontrol edin.
- Ünite karlı ve soğuk bir bölgede kuruluysa, yoğunlaşmış su en altta donabilir. Böyle durumlarda, drenajı rahatlatmak için lütfen ünitenin altındaki tıpayı çekin.



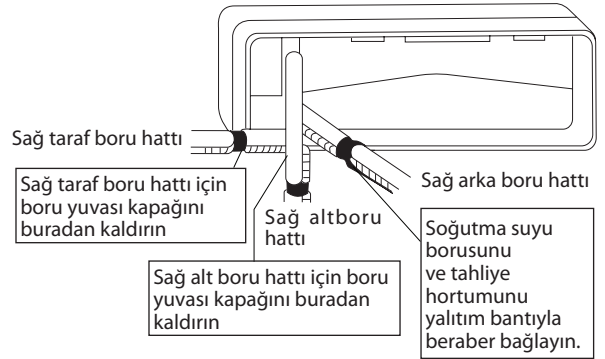
## İÇ ÜNİTENİN MONTAJI

İç ünite öyle kurulmalıdır ki, üniteden çıkan soğuk hava ile dönen sıcak hava iç içe geçmemelidir. Lütfen kurulum sırasında şekilde gösterilen mesafeleri muhafaza ediniz. İç ünite, doğrudan güneş ışığına maruz kalacağı bir noktaya yerleştirilmemelidir. Ayrıca ünitenin yeri, borular ve drenaj için uygun olmalı, kapılardan ve pencerelerden uzakta olmalıdır.

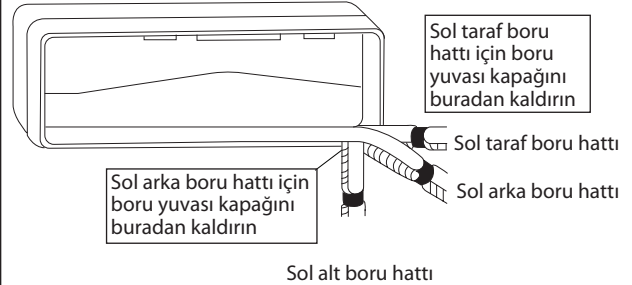


Soğutucu borularının üniteye döşenmesi birkaç değişik şekilde olabilir (ünitenin arkasından, soldan veya sağdan). Bunun için ünitenin gövdesinde açılmış delikler kullanılabilir. Boruların deliklerle hizalanması için boruları dikkatlice bükünüz. Boruları yandan ve alttan geçirirken alttan tutun ve ardından istenen yöne göre konumlandırın. Yoğunlaşma drenaj hortumu borulara bantlanabilir.

### Boruların sağ yandan, sağ arkadan ve sağ alttan geçirilmesi



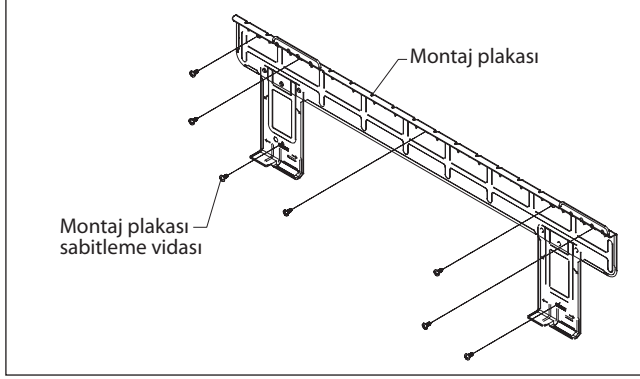
### Boruların sol yandan, sol arkadan veya sol alttan geçirilmesi



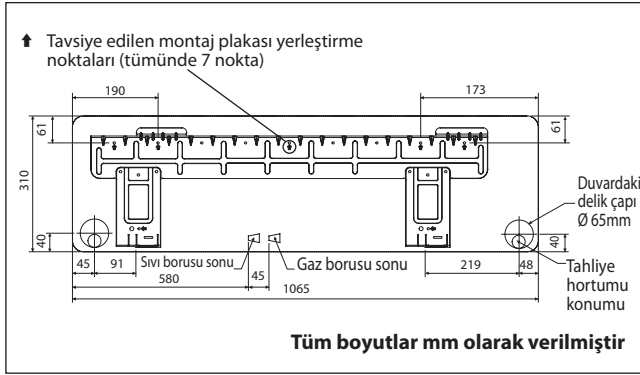
## Montaj Levhasının Monte Edilmesi

Duvarın, ünitenin ağırlığını kaldıracak kadar kuvvetli olduğuna emin olunuz. Aksi halde duvarın; levhalarla, kirişlerle veya sütunlarla desteklenmesi gerekir. Yatay montaj için seviye ölçüm cihazı kullanın ve FTXB50/60CV1B için 7.

Ünitenin arkasından boru çıkacaksa, dış duvarda biraz daha aşağı bir noktada (şekle bakınız), konik matkap ucuyla 65mm çapında bir delik deliniz.

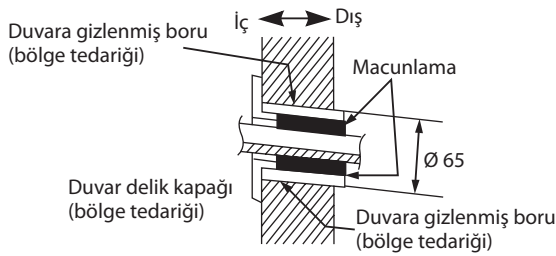


## Tavsiye Edilen Montaj Plakası yerleştirme noktaları ve Boyutlar



Tüm boyutlar mm olarak verilmiştir

## Konik Matkap Ucuyla Açılmış Delik



## İç Ünitenin Montaj Plakasına Monte Edilmesi

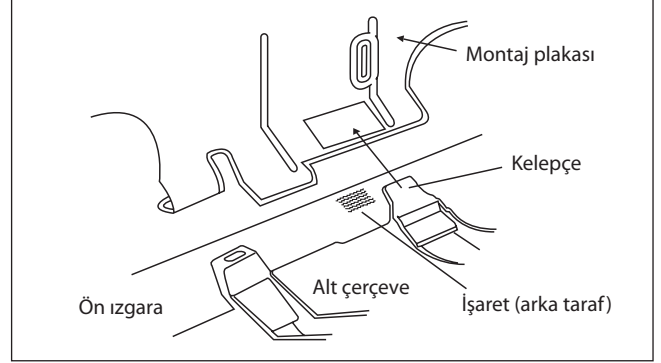
İç ünitenin, montaj levhasının üst kısmına oturtunuz (İç ünitenin arkasında, üst tarafta yer alan iki kancayı, montaj levhasının üst ucuna takın). Üniteyi sola ve sağa oynatarak, kancaların kurulum levhasına gerektiği gibi oturduğuna emin olunuz.

## İç Ünite Nasıl Takılır

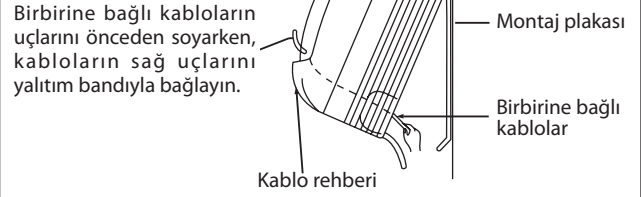
Alt çerçevenin tırnaklarını montaj plakasına takın.

## İç Ünite Nasıl Çıkarılır

Tırnakları serbest bırakmak için işaretli alanı yukarı ittirin (ön ızgaranın alt kısmında).



İç ünitenin kancasını buraya asın.

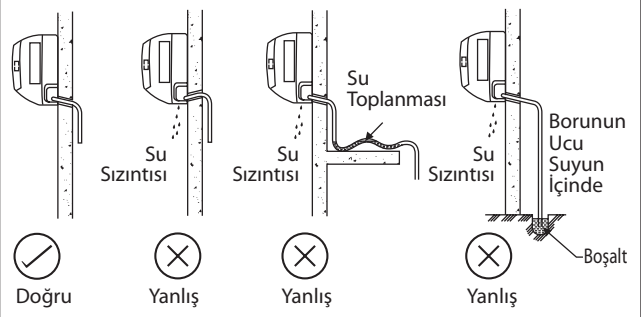


Birbirine bağlı kabloların uçlarını önceden soyarken, kabloların sağ uçlarını yalıtım bantıyla bağlayın.

## Su Drenaj Borusu

İç mekan drenaj borusu, suyun düzgün bir şekilde tahliye edilmesi için, düz bir şekilde aşağıya inmelidir. Suyun sızmasına neden olabilecek durumlardan kaçınınız.

## Su Drenajı



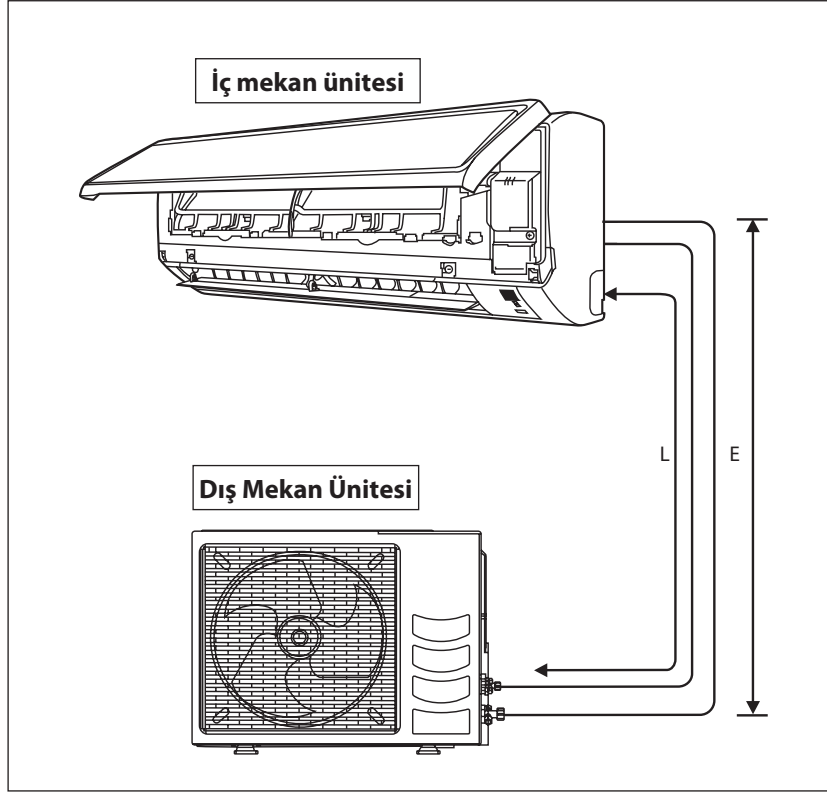
## ⚠ DİKKAT

- Üniteyi, iç ve dış mekan için 2000m üzerinde yükseklikte kurmayın.

## SOĞUTUCU BORULARI

### İzin verilen Boru Uzunluğu

Boru çok uzunsa, ünitenin hem kapasitesi hem de güvenilirliği azalacaktır. Kıvrımların sayısı arttıkça, soğutucu sistemin akımına karşı direnci artar ve böylece soğutma kapasitesi azalır. Sonuçta, kompresör arızalanabilir. Her zaman en kısa mesafeyi seçiniz ve aşağıdaki tabloda yer alan önerileri dikkate alınız:





Modeller	FTXB50CV1B	FTXB60CV1B
Min. izin verilen uzunluk (L), m		3
Max. izin verilen uzunluk (L), m		30
Maks. izin verilen Yükseklik (E), m		10
Gaz Borusu Boyu, mm/(inç)	12,70 (1/2")	15,88 (5/8")
Akışkan Borusu Boyu, mm/(inç)	6,35 (1/4")	

\* Uygun miktarda ilave soğutucu eklemeyi unutmayın. Bunu yapmamak daha az bir performansa neden olabilir.

**Not:** Dış ünite içine önceden doldurulmuş soğutucu en fazla 7,5m uzunluğunda boru tesisatı içindir.

### Çeşitli montaj için eşdeğer uzunluğu (metre)

Boru Büyüklüğü	L eklem 	Tuzak viraj 
3/8" (OD9,52mm)	0,18	1,3
1/2" (OD12,7mm)	0,20	1,5
5/8" (OD15,9mm)	0,25	2
3/4" (OD19,1mm)	0,35	2,4
7/8" (OD22,2mm)	0,40	3
1" (OD25,4mm)	0,45	3,4
1 1/8" (OD28,6mm)	0,50	3,7
1 3/8" (OD34,9mm)	0,60	4,4

Notlar:

1. Eşdeğer boru uzunluğu gaz borulari gerçek uzunluğu ile elde edilir.
2. 90° boru bükme L ortak eşdeğerdir.

Kıvrımlar boruyu kırmayacak şekilde dikkatlice yapılmalıdır. Mümkünse boruyu kıvrırmak bir boru kıvrırcı kullanın.

### İşleri ve Boru Havsali Tekniği

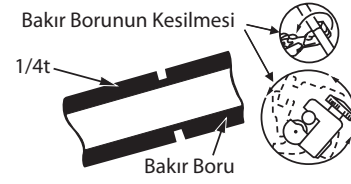
- Kirli veya hasarlı bakır boru kullanmayın. Herhangi bir boru tesisatı, hava kanalı veya kondensatör 15 saniye ya da daha fazla süre ile yalıtımsız ya da açık durumda kalırsa, sistemin temizlenmesi gerekmektedir. Genellikle, plastik, kauçuk tapalar ve pirinç somunları emiş veya sıvı borusunu valf ya da bağlantılara takmaya hazır oluncaya kadar çıkarmayın.
- Eğer kaynak yapmanız gerekecekse, kaynak sırasında spirallerden ve bağlantılardan azot gazı geçmesini sağlayınız. Bu, bakır tüplerin iç duvarında kurum oluşmasını önler.
- Boru kesicinin bıçağını yavaşça ilerleterek boruyu aşama aşama kesin. Fazla güç ve derin kesme daha fazla bozulmaya ve fazla çapağa neden olur. Şekil I'e bakınız.
- Boruların kesik kenarlarındaki çapakları törpüyle temizleyin. Şekil II'e bakın. Boruya metal çapakların girmesini önlemek için borunun ucunu aşağı doğru tutun. Bu konik yüzey üzerindeki gaz sızıntısına neden olabilecek pürüzleri ortadan kaldırır.
- Hem iç ünite hem dış ünite bağlantı parçalarının havşa somunlarını bakır borulara geçirin.
- Konik kalıbın yüzeyinden çıkmış olan borunun tam uzunluğu, konik alet tarafından belirlenir. Şekil III'e bakın.
- Boruyu konik kalıp üzerinde sıkıca sabitleyin. Hem dövme bloğunun hem de konik plakanın merkezlerini eşleştirin ve ardından konik plakayı tam olarak sıkın.

### Ünitelere Boru Bağlantıları

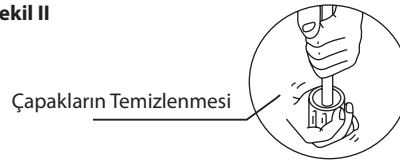
- Borunun ortasını hizalayın ve konik civatayı parmaklarınızla mümkün olduğunca sıkıştırınız. Şekil IV'e bakınız.
- Son olarak, anahtardan çıt sesi gelinceye kadar havşalı somunu bir tork anahtarıyla sıkın.
- Konik civatayı tork anahtarıyla sıkıştırırken, anahtarın üzerindeki oka göre doğru yönde sıkıştırdığınızdan emin olun.
- Soğutucu borusu bağlantısı kapalı hücreli poliüretan ile yalıtılmıştır.

Boru Büyüklüğü, mm (inç)	Tork, Nm / (ft-lb)
6,35 (1/4")	18 (13,3)
12,70 (1/2")	55 (40,6)
15,88 (5/8")	65 (48,0)

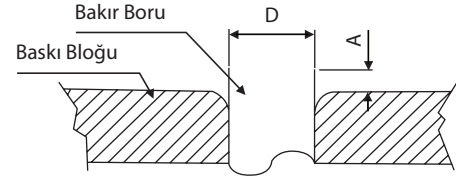
Şekil I



Şekil II

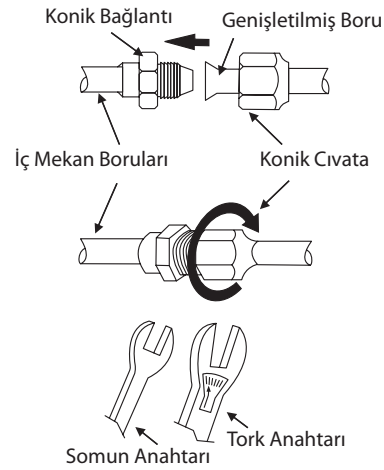


Şekil III



Ø Boru, D		A (mm)	
Inç	mm	Esnek (Kelebek Somunlu Tip)	Sert (Kavrama Tipi)
1/4"	6,35	1,30	0,70
1/2"	12,70	1,90	1,30
5/8"	15,88	2,20	1,70

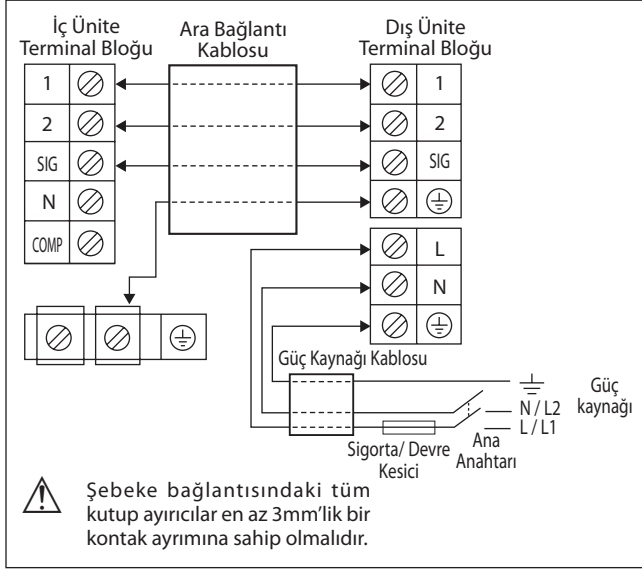
Şekil IV



## ELECTRICAL WIRING CONNECTION

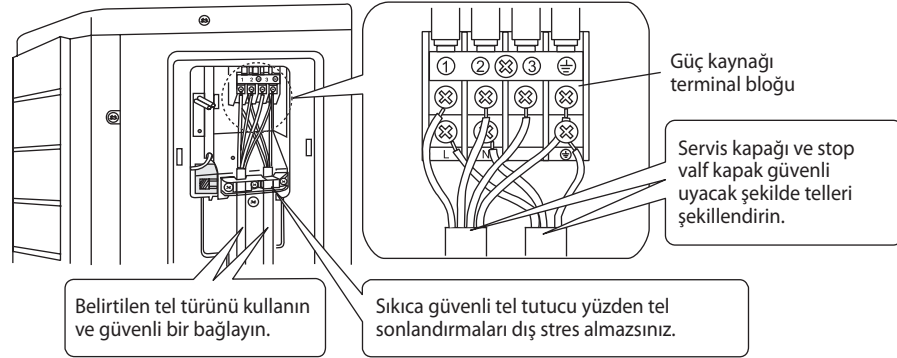
**ÖNEMLİ:** \* Tabloda gösterilen şekiller sadece bilgi amacıyla verilmiştir. Yerel ve ulusal yönetmelik ve düzenlemeleri uygun olarak kontrol edilmeleri ve seçilmeleri gerekir. Bu aynı zamanda montajın ve kullanılan kondüktörlerin tipine bağlıdır.

\*\* Uygun voltaj aralığı ünitedeki etiket verisinden kontrol edilmelidir.

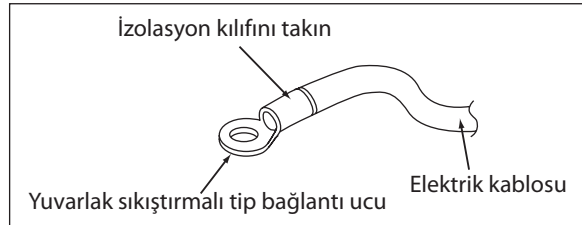


Modeller	FTXB50/60CV1B RXB50/60CV1B
Voltaj aralığı**	220-240V/~50Hz + ⊕
Besleme kablosu çapı* Kondüktörlerin Sayısı	mm <sup>2</sup> 2,5 3
Bağlantı kablosu büyüklüğü* Kondüktörlerin Sayısı	mm <sup>2</sup> 2,5 4
Tavsiye edilen sigorta/devre kesici nominal	A 20

\* Kablonun uzunluğu 2m'den fazlaysa, daha büyük boyutlu kablo kullanın.



- Tüm kablolar sıkıca bağlanmalıdır.
- Hiçbir kablonun soğutucu borulara, kompresöre veya herhangi bir hareketli parçaya değmediğinden emin olun.
- İç ünite ile dış ünite arasındaki bağlantı kablosu, ürünle birlikte verilen kablo sabitleyicisi kullanılarak kenetlenmelidir.
- Güç kaynağı kablosu minimum gereksinim olan H07RN-F değerinde olmalıdır.
- Terminal bağlantılarına ve kablolarına herhangi bir dış basınç uygulanmadığından emin olun.
- Tüm kapakların herhangi bir boşluk bırakılmadan gerektiği gibi sabitlenmesini sağlayın.
- Elektrik bağlantı kutusuna olan bağlantı kabloları için yuvarlak sıkıştırılmalı tip bağlantı ucu kullanın. Kabloları bağlantı kutusunun üzerindeki işaretlerle eşleştirerek bağlayın. (Üniteye yapılandırılan kablo şemasına bakınız).



- Uç vidaları sıkarken doğru tornavidayı kullanın. Uygun olmayan tornavidalar vida başına zarar verebilir.
- Aşırı sıkma terminal vidalarına hasar verebilir.
- Aynı uca farklı kalınlıkta kabloları bağlamayın.
- Kabloların düzenli kalmasını sağlayın. Kabloların diğer parçaları ve terminal kutusu kapağını engellemesini önleyin.



## R410A ÜNİTESİYLE UĞRAŞIRKEN ÖZEL ÖNLEMLER

R410A ozon tabakasına zarar vermeyen yeni bir HFC soğutucudur. Bu yeni soğutucunun çalışma basıncı klasik soğutuculardan (R22) 1,6 kez daha yüksektir, bu nedenle uygun montaj / bakım zorunludur.

- R410A ile çalışmak için tasarlanan klimalarda asla R410A'dan başka soğutucu kullanmayın.
- R410A kompresör için, R22 kompresörde kullanılan mineral yağdan farklı POE veya PVE yağ kullanılır. Kurulum veya bakım sırasında, R410A sisteminin uzun süre nemli havaya maruz kalmamasına özel dikkat gösterilmelidir. Borularda ve bileşenlerde kalan POE veya PVE yağı havadan nem alabilir.
- Yanlış şarjı engellemek için, havşalı valfindaki servis yuvasının çapı R22'den farklıdır.

- Yalnızca R410A soğutucuya özel olan alet ve materyalleri için kullanın. R410A'ya özel olan aletler manifold valfi, şarj hortumu, basınç göstergesi, gaz sızıntı alarmı, havşa aletleri, tork anahtarı, vakum pompası ve soğutucu silindirdir.
- R410A kliması R22 ünitelerden daha yüksek basınç aldığı için, bakır boruları doğru olarak seçmek önemlidir. Pazarda bulunmalarına rağmen, 0,8mm'den daha ince olan bakır boruları asla kullanmayın.
- Kurulum/servis sırasında soğutucu gaz sızıntısı meydana gelirse, tamamen havalandırmayı unutmayın. Soğutucu gaz ateşle temas ederse, zehirli gazlar meydana gelebilir.
- Bir klima takarken veya kaldırırken, soğutucu dönüşümde hava ve nem kalmasına izin vermeyin.

## VAKUMLAMA VE DOLDURMA

Sistemden tüm nem ve havayı boşaltmak için vakumlama işlemi gerekir.

### Boruları ve İç Üniteyi Vakumlama

Soğutucu ile ön dolun yapılan dış ünite dışında, iç ünite ve soğutucu bağlantı boruları hava ile arındırılmalıdır çünkü soğutucu devrinde kalan nemli hava kompresörün arızalanmasına neden olabilir.

- Valf ve servis deliği kapaklarını çıkarın.
- Dolun ölçerin ortasından vakum pompasına bağlayın.
- Dolun ölçerin 3 yönlü valfini servis deliğine bağlayın.
- Vakum pompasını çalıştırın. Yaklaşık 30 dakika tahliye edin. Tahliye süresi vakum pompasının kapasitesine göre değişebilir. Dolun ölçer iğnesinin -760mmHg arasında hareket ettiğini doğrulayın.

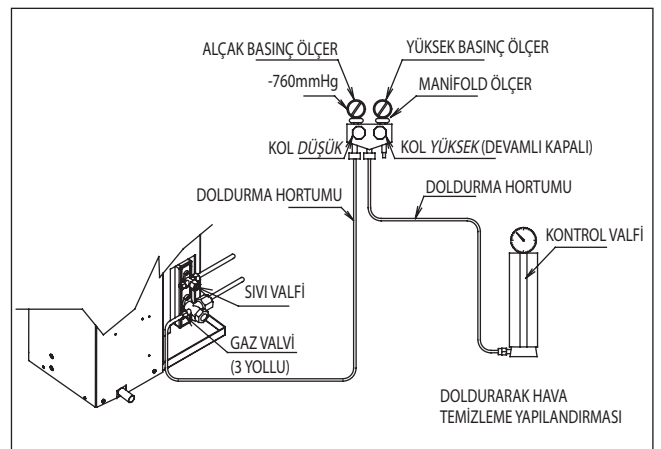
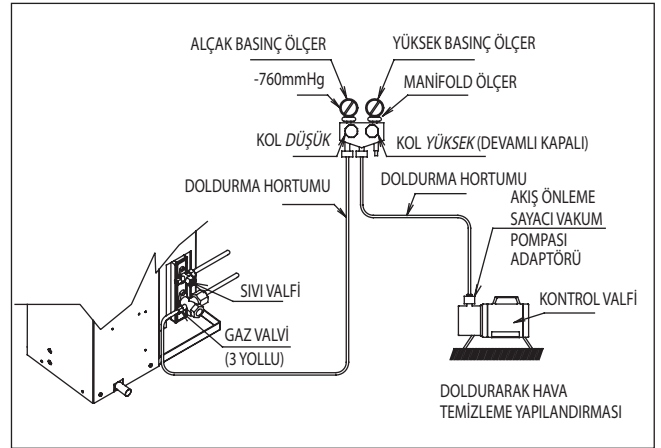
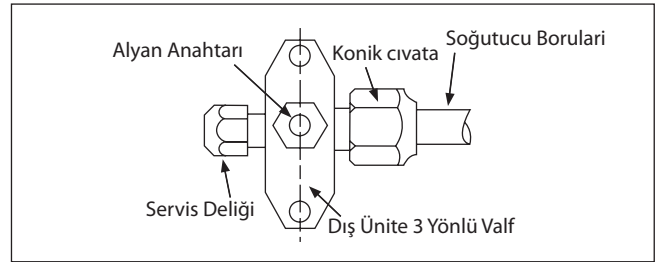
### Dikkat

- Gauge iğne hareket etmezse -760mmHg, iç ve dış ünitenin parlama tipi bağlantı sızıntı için kontrol edin ve bir sonraki adıma geçmeden önce sızıntısını onarmak için emin olun.
- Değiştirme ölçerinin valfini kapatın ve vakum pompasını durdurun.
- Dış ünite, emme valfindeki (3 yönlü) ve sıvı valfindeki (2 yönlü) (saat yönünün tersine) altıgen vidayı 4mm anahtarla açın.

### Gaz Şarj İşlemi

Bu işlem, bir gaz silindiri ve hassas bir ağırlık ölçme makinesi ile yapılmalıdır. İlave soğutucu, giriş valfi kullanılarak, servis portu üzerinden dış mekan ünitesine aktarılır.

- Servis portu kapağını çıkarın.
- Göstergeli doldurma hortumunun düşük basınçlı tarafını, silindir tankının giriş servis portunun merkezine takın ve doldurma hortumunun yüksek basınçlı tarafını kapatın. Servis hortumundaki havayı tahliye ediniz.
- Klimayı çalıştırınız.
- Gaz silindirini ve düşük basınçlı doldurma valfini açınız.
- Gerekli miktarda soğutucu üniteye pompalandığında, düşük basınçlı tarafı ve gaz silindir valfini kapatın.
- Servis hortumunu servis portundan çıkarınız. Servis portunun kapağını geri takınız.



## İLAVE GAZ ŞARJI

Dış üniteye önceden soğutucu doldurulmuştur. Boru sistemi uzunluğu 7,5m'den az ise, daha sonra vakum sonra ek bir şarj gerekli değildir. Boruların uzunluğu 7,5m'den fazlaysa, tabloda gösterildiği gibi ek doldurma değerini kullanın.

### Her Bir İlave 1m Uzunluk İçin Gerekli Ek Soğutucu Dolumu [g]

İç Mekan	FTXB50CV1B	FTXB60CV1B
Dış Mekan	RXB50CV1B	RXB60CV1B
İlave gaz şarjı [g/m]	20	20

#### Örnek:

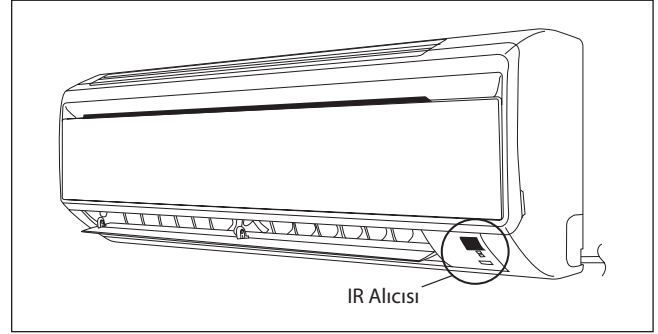
Boru uzunluğu 12 metre olan FTXB50CV1B ve RXB50CV1B de ilave boru uzunluğu 4,5 metredir. Bu yüzden, ilave gaz şarjı = 4,5[m] x 20[g/m]  
= 90,0[g]

## GÖSTERGE LAMBALARI

### IR Sinyal Alıcısı

Kızıl ötesi uzaktan kumandayla çalışan sinyal verildiğinde, iç üniteye sinyal alıcı siyan gönderiminin kabulünü doğrulamak için aşağıdaki gibi tepki verecektir.

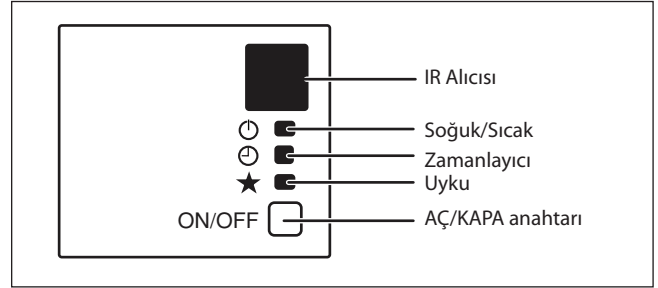
AÇIKTAN KAPALIYA	1 uzun bip
KAPALIDAN AÇIĞA Aşağı pompala/Soğutucu güç açık	2 kısa bip
Diğer	1 kısa bip



### Soğutma Ünitesi/Isı Pompalı Ünitesi

Aşağıdaki tabloda, klima ünitesinin normal işletim ile arıza durumlarındaki LED gösterge ışıkları yer almaktadır. LED gösterge ışıkları, klima ünitesinin ortasında bulunur. Isı pompası ünitelerinde bulunan bir "otomatik" mod algılayıcısı, kullanıcı tarafından ayarlanan sıcaklığa göre ya "soğutma" ya da "ısıtma" moduna geçerek, arzulanan oda sıcaklığını sağlayacaktır.

### Soğutma Ünitesi LED Gösterge Işıkları / Isı Pompalı Tipler



### LED Gösterge Işıkları: Soğutma ve Isı Pompalı Tip İçin Normal İşletim ve Arıza Durumları

★	SOĞUTMA/ISITMA (YEŞİL/KIRMIZI)	🕒	Çalışma
	○ YEŞİL		Soğutma modu
	○ KIRMIZI		Isıtma modu
	○ KIRMIZI		Isıtma işleminde Otomatik mod
	○ YEŞİL		Soğutma işleminde Otomatik mod
	○		Zamanlayıcı açık
○	○		Uyku modu açık
	○ YEŞİL		Fan modu açık
	○ YEŞİL		Nem alma modu açık
	● KIRMIZI		Buz çözme
	● YEŞİL		Ünite hatası

○ AÇIK

● Yanıp sönen



## KLİMANIN ÇALIŞTIRILMASI

### Nem Alma Modu

- Havadaki nem oranı yüksek olduğunda ünite, nem alma modunda çalışabilir. <MODE> düğmesine basın ve <DRY> seçimini yapın.
- Eğer oda sıcaklığı ayarlı sıcaklıktan 2°C/3,6°F daha yüksekse, ayarlı sıcaklık ile oda sıcaklığı arasındaki fark 2°C/3,6°F değerine düşüncüye kadar klima soğutma modunda çalışır, bunun ardından nem alma modunda çalışmaya geçer.
- Eğer oda sıcaklığı ile ayarlı sıcaklık arasındaki fark 2°C/3,6°F değerinden azsa, klima doğrudan nem alma modunda çalışmaya başlar.
- Ünite, nem alma modundayken LOW (düşük) hızda çalışacaktır.

### Isıtma Modu (sadece ısı pompalı tip için)

- Ünite soğukken veya buz çözme modundayken çalıştırıldığında, iç mekan fanı ancak serpantin arzulan sıcaklığa ulaştığında çalışmaya başlayacaktır.
- Ayarlı sıcaklığa ulaştığında iç ünite fanı, serpantin yeterli sıcaklık sağlayamayacak sıcaklığa gelene kadar çalışacaktır.

### Hava Akışı Kontrolü

- Daha etkili bir hava akışı sağlamak için, manuel olarak hava çıkış ızgarasını sola veya sağa ayarlayabilirsiniz.
- Soğutma modu ile nem alma modunda, hava çıkış panjurunu aşağı bakacak şekilde uzun süre tutmayınız. Eğer bu şekilde çalıştırmaya devam ederseniz, panjur üzerinde yoğunlaşma oluşabilir ve su damlamaya başlayabilir.

### Kanatçık ve Panjur Açılı ile İlgili Notlar

- Ortalama soğutma kapasitesi YÜKSEK fan hızında verilir.
- Ünite ORTA (MEDIUM) ve DÜŞÜK (LOW) fan hızında çalıştığında soğutma kapasitesi düşüktür.

### Kanatlar ve Panjur Açılı Notları

- "**SALINIM düğmesi**" basıldığında, kanatların salınım aralığı çalışma moduna göre değişir. (bkz. şekil).

### DİKKAT

- Kanatların açısını ayarlamak için her zaman bir uzaktan kumanda kullanın. Salınım yaparken elle güç kullanarak hareket ettirmeye çalışırsanız, mekanizma kırılabilir.
- Panjurları ayarlarken dikkatli olun. Hava çıkışı içinde, bir fan yüksek hızda dönmektedir.

### Aşırı Isınma Koruması (sadece ısı pompalı cihazlar için)

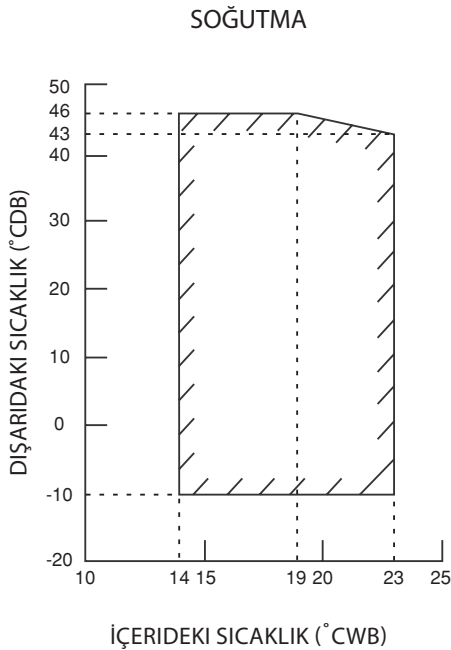
- İç ve/veya dış sıcaklığın çok yüksek olması durumunda ya da fitrenin kirlenmiş ve tıkanmış olması durumunda, soğutma sıvısı aşırı ısınabilir. Yoğunlaşma sıcaklığı 62°C/143,6°F değerine ulaştığında kompresör kapanacaktır.

### Buzlanmayı Önleme

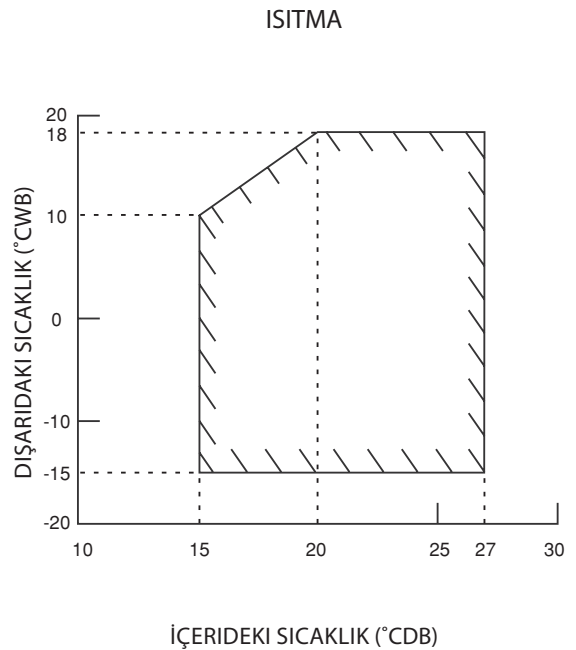
- Hava fitresi kirlendiğinde, buharlaşma sıcaklığı düşecek ve bir noktadan sonra buzlanmaya neden olacaktır.
- Eğer buharlaşma sıcaklığı -1°C/33,8°F değerine ulaşırsa, ünite çözülecektir.

## ÇALIŞMA ARALIĞI

Modeller: FTXB50/60CV1B  
RXB50/60CV1B



DB: Kuru Hazneli Termometre

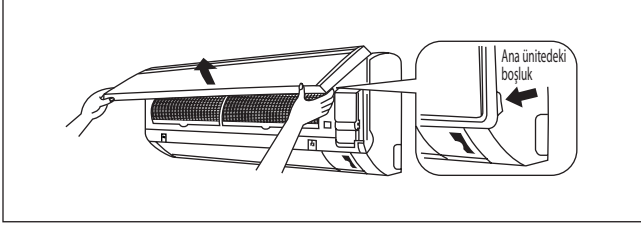


WB: Nemli hava

## HAVA FİLTRESİ

### 1. Ön paneli açın.

- Paneli ana üniteye bağlı boşluklardan tutun (sağ ve sol taraflarda iki aralık) ve durana kadar yukarı kaldırın.

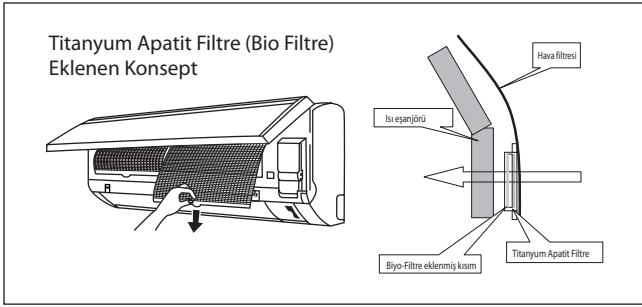


### 2. Hava filtrelerini dışarı çekin.

- Her hava filtresinin ortasındaki sekmeyi hafifçe yukarı ittirin, sonra aşağı geri çekin.

### 3. Bakteriostatik, virüstatik işlevlerle Bio Filtreyi çıkartın.

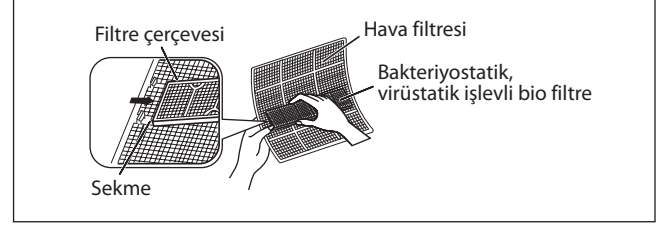
- Çerçevenin boşluklu kısımlarını tutun ve dört tırnağı kancadan çıkarın.



### 4. Her filtreyi temizleyin veya değiştirin.

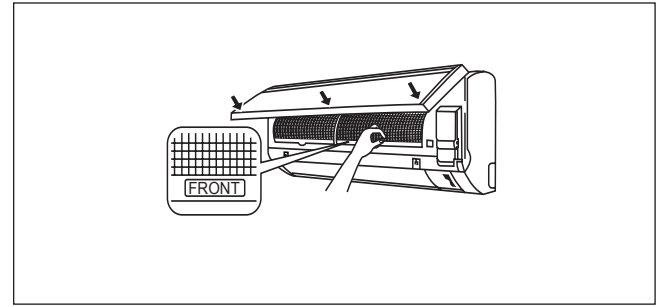
Bkz. şekil.

- Kalan suyu çalkalarken, filtreyi bükmeyin.



### 5. Hava filtresini ve bio filtreyi eskisi gibi yerlerine yerleştirin ve ön paneli kapatın.

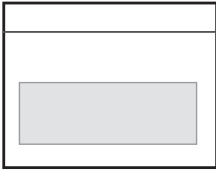
- Filtrelerin tırnaklarını ön panelin yuvalarına yerleştirin. Ön paneli yavaşça kapayın ve paneli 3 noktadan ittirin. (her iki tarafta 1'er tane ve ortada 1 tane.)
- Bakteriyostatik, virüstatik işlevli hava filtresi ve bio filtre taya konumunda bir simetrik şekilde sahiptir.



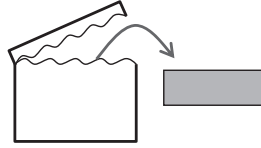
\* Bio Filtre ve Titanium Apatit Filtre isteğe bağlı donanımlardır.

### Bio Filtre için Kurulum Prosedürü

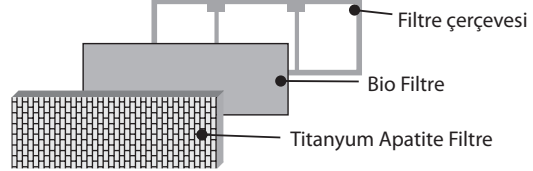
Bio Filtre hava sızdırmaz bir çantada gelmektedir.



Kurulum zamanında dışarı çıkartın.



Filtreyi Filtre çerçevesiyle Titanium Apatite Filtre arasında kaydırın.



## ⚠ DİKKAT

- Lütfen bu Bio Filtreyi kış gibi **kuru mevsimlerde** kullanın.
- Saklama, bakım ve imha yöntemleri.**
  - Bu Bio filtrenin ömrü açıldıktan sonra yaklaşık bir yıldır.
  - Bu Bio Filtreyi hemen kullanmazsanız, lütfen bu Bio Filtreyi doğrudan güneş ışığına, yüksek ısıya ve / veya yüksek neme maruz kalacağı yerlere koymayın.
  - Üretim nedenlerinden ötürü Bio filtre renkleri arasında haf farklılıklar olabilir, ünite performansı üzerinde bir etkisi yoktur.
  - Lütfen bu çantayı tam kullanmadan önce açın. Bio Filtreyi kullanımdan hemen öncesine kadar açılmamış olarak paketinde mühürlü durmalıdır. (Performans azalmasına veya kalite değişikliğine neden olabilir).
  - Boğulma tehlikesini ve beklenmedik kazaları önlemek için, lütfen plastik torbayı Bio Filtreyi çıkardıktan hemen sonra imha edin. Bebeklerden ve çocuklardan uzak tutun.
  - Bu Bio Filtreyi uzun bir süre tutacaksanız, lütfen açılmamış olarak ve doğrudan güneş ışığından uzak bir yerde tutun.
  - Lütfen kullanımdan sonra eski Bio Filtreyi yanmayan çöp olarak imha edin.
- Kirli filtrelerle çalışma:**
  - (1) havanın kokusunu gideremez.
  - (2) havayı temizleyemez.
  - (3) kötü ısıtma veya soğutmaya neden olur.
  - (4) kötü koku yaratabilir.
- Bio Filtre sipariş etmek için, klimayı almış olduğunuz servis dükkanıyla görüşün.

## SERVİS VE BAKIM

**Bu not sadece Türkiye için geçerlidir: Ürünlerimizin kullanım ömrü 10 yıldır.**

Servis Parçaları	Bakım Prosedürleri	Süre
<b>İç ünite hava filtresi</b>	<ol style="list-style-type: none"><li>Filtreye yapışmış olan tozları bir elektrikli süpürge yardımıyla veya ılık suda (40°C/104°F sıcaklığın altında), nötr bir temizlik deterjanı ile yıkayarak temizleyiniz.</li><li>Filtreyi iyice durulayın ve üniteye takmadan önce kurutun.</li><li>Filtreyi temizlemek için benzin, uçucu maddeler veya kimyasallar kullanmayın.</li></ol>	En azından her 2 haftada bir kez.  Eğer gerekiyorsa daha sık.
<b>İç mekan ünitesi</b>	<ol style="list-style-type: none"><li>Izgara veya panel üzerindeki kirleri veya tozu, ılık su (40°C/104°F sıcaklığın altında) ve nötr bir temizlik deterjanına batırılmış yumuşak bir bez ile silerek temizleyiniz.</li><li>İç üniteyi temizlemek için benzin, uçucu maddeler veya kimyasallar kullanmayınız.</li></ol>	En azından her 2 haftada bir kez.  Eğer gerekiyorsa daha sık.

### DİKKAT

- Herhangi bir boru arıtma temizleyicisinin plastik kısımla doğrudan temas etmesini önleyin. Bu durum plastik kısmın kimyasal tepkime sonucunda şeklinin bozulmasına neden olabilir.

#### 1. Ön paneli açın.

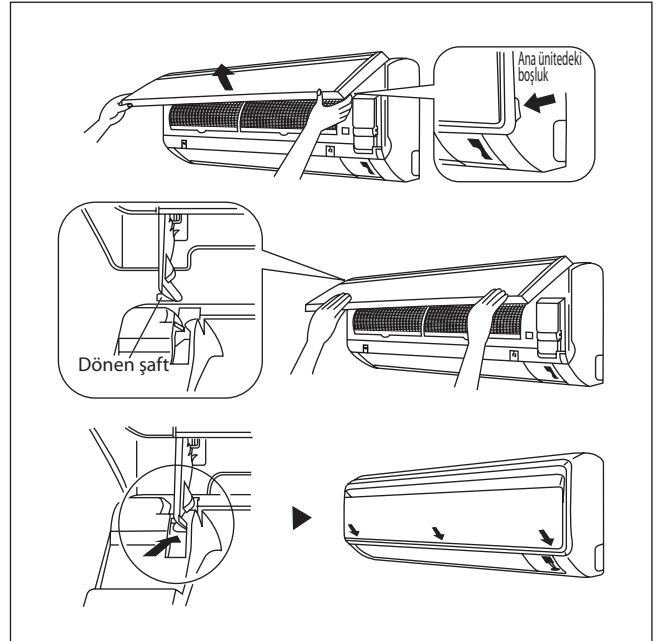
- Paneli ana ünite üzerindeki boşluklardan tutun (sağ ve sol tarafta iki aralık) ve durana kadar yukarı kaldırın.

#### 2. Ön paneli çıkarın.

- Ön paneli yukarı doğru kaldırırken, sağa doğru kaydırın ve ön tarafa doğru çekin. Dönen sol şaft çıkar. Dönen şaftı sola doğru döndürün ve çıkarmak için ön tarafa çekin.

#### 3. Ön paneli takın.

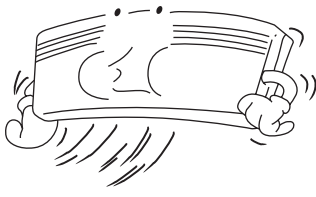
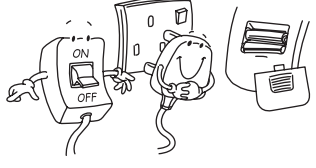
- Ön panelin sağ ve sol dönen şaftlarını dişlilerle eşleştirin ve sonuna kadar içeri itirin.
- Ön paneli nazikçe kapatın. (Her iki ucu ve orta kısmı ön panele itirin.)



## ⚠ DİKKAT

- İç ünitenin metal parçalarına dokunmayın. Yaralanmaya sebep olabilir.
- Ön paneli takarken veya çıkarırken, düşmesini engellemek için paneli elle sıkıca destekleyin.
- Temizlik için, 40°C üstündeki sıcak suları, benzin, gazolin, tiner, veya diğer uçucu yağları, parlatici bileşimleri, ovalama fırçalarını ve diğer el malzemelerini kullanmayın.
- Temizlikten sonra, ön panelin tamamen sabit olduğundan emin olun.

### Ünite Uzun bir Süre Kullanılmayacağı Zaman

<p>Üniteyi aşağıdaki ayarda 2 saat boyunca çalıştırınız.</p> <p>Çalışma modu : soğutma Sıcaklık : 30°C/86°F</p>		<p>Elektrik kablosunu çıkarınız. Eğer ünitenin bağımsız bir elektrik devresinden besleniyorsa, üniteyi devreden çıkarınız. Uzaktan kumandanın pillerini çıkarınız.</p>	
---	---	--	---

### SORUN GİDERME

**Yedek parçalarla ilgili sorularınız için lütfen yetkili servis ile görüşün. Eğer klima ünitesinde herhangi bir arıza fark ederseniz, derhal üniteye giden elektriği kesiniz. Sorun gidermekle ilgili bazı basit ipuçlarını okumak için aşağıdaki arıza durumlarını ve ilgili nedenleri okuyunuz.**

Arıza	Nedenler / Eylem
1. Klima çalıştırıldıktan sonra 3 dakika içinde kompresör çalışmıyor.	- Sık sık başlatmalara karşı koruyun. Kompresörün çalışmaya başlaması için 3 ila 4 dakika bekleyiniz.
2. Klima birimi çalışmıyor.	- Elektrik kesik veya sigortanın değiştirilmesi gerekiyor. - Elektrik kablosu takılı değil. - Geciktirme zamanlayıcısı yanlış ayarlanmış olabilir. - Bütün bu kontrollerden sonra arıza devam ederse, lütfen yetkili servis ile iletişim kurun.
3. Hava akışı çok düşük.	- Hava filtresi kirli. - Kapı veya pencereler açıktır. - Hava giriş ve çıkış kısımları tıkalı. - Sirküle edilen sıcaklık yeterince yüksek değil.
4. Hava çıkışında kötü bir koku var.	- Serpentine yapışmış olabilecek sigaralar, duman parçacıkları, parfüm vs. kokuya neden olabilir.
5. İç ünitenin ön hava ızgarasının üzerinde yoğuşma var.	- Ünite uzun bir çalıştıktan sonra havadaki nem buna neden olur. - Ayarlı sıcaklık çok düşüktür, sıcaklık ayarını artırınız ve üniteyi yüksek fan hızında çalıştırınız.
6. Klimadan dışarı su akıyor.	- Üniteyi kapatın ve yetkili servisi çağırın.

**Eğer arıza devam ederse, lütfen yerel bayinizi / servis elemanını çağırınız.**

CE - DECLARATION OF CONFORMITY  
 CE - KONFORMITÄTSSERKLÄRUNG  
 CE - DECLARATION DE CONFORMITE  
 CE - KONFORMITÄTSSERKLÄRUNG

CE - DECLARACION DE CONFORMIDAD  
 CE - DICHIARAZIONE DI CONFORMITÀ  
 CE - ΔΗΛΩΣΗ ΣΥΜΜΟΡΦΩΣΗΣ  
 CE - FORSKARANS OM ÖVERENSSTÄMMELE

CE - ERKLÄRUNG OM SAMSVAR  
 CE - LIIVIITUSYHDENMUKAISUUSDEISTA  
 CE - DEKLARACJA ZGODNOŚCI  
 CE - DECLARAȚIE DE CONFORMITATE

CE - IZJAVA O SKLADNOSTI  
 CE - VASTAVUSDEKLARATSIOON  
 CE - ДЕКЛАРАЦІЯ З ЧУВСТВОВАЇТЬСЯ  
 CE - UYUMLULUK-BİLDİRİSİ

CE - ATTIKTES/DEKLARACIA  
 CE - ATBIŠTĪBAS-DEKLARACIA  
 CE - VYHLAŠENIE ZPRODY  
 CE - UYUMLULUK-BİLDİRİSİ

**Daikin Europe N.V.**

- 01 (GB) declares under its sole responsibility that the air conditioning models to which this declaration relates;
- 02 (D) erklärt auf seine alleinige Verantwortung das die Modelle der Klimaanlage für die diese Erklärung bestimmt ist;
- 03 (E) déclare sous sa seule responsabilité que les appareils (air conditionné) visés par la présente déclaration;
- 04 (NL) verklaart hierop op eigen exclusieve verantwoordelijkheid dat de airconditioning units waarop deze verklaring betrekking heeft;
- 05 (E) declara sub sa singura responsabilitate ca modelele de aer condiționată a sa sunt conformitate cu cerințele declarației;
- 06 (I) dichiara sotto sua responsabilità che i condizionatori modello a cui è riferita questa dichiarazione;
- 07 (GB) δηλώνει με αποκλειστική ευθύνη ότι η παρούσα δήλωση αφορά αποκλειστικά τα μοντέλα των κλιματιστικών συσκευών στα οποία αναφέρεται η παρούσα δήλωση;
- 08 (P) declara sub sa singura responsabilitate ca os modelele de aer condiționată a que estas declarată sa se refere.

RXN50MV1B, RXN60MV1B, ARXN50MV1B, ARXN60MV1B,  
 RXN50NV1B, RXN60NV1B, ARXN50NV1B, ARXN60NV1B,  
 RXB50CV1B, RXB60CV1B, ARXB50CV1B, ARXB60CV1B,

ARXN50MV1B7, ARXN60MV1B7, RXK50AV1B, RXK60AV1B,

- 01 are in conformity with the following standard(s) or other normative document(s), provided that these are used in accordance with our instructions;
- 02 är i enlighet med följande standard(er) eller andra normgivande dokument(er), förutsatt att dessa används i enlighet med våra instruktioner;
- 03 sont conformes à la(s) norme(s) ou autre(s) document(s) normatifs, pour autant qu'ils soient utilisés conformément à nos instructions;
- 04 conform de volgende norm(en) of één of meer andere bindende document(en) zijn, op voorwaarde dat ze worden gebruikt overeenkomstig onze instructies;
- 05 están en conformidad con la(s) siguiente(s) norma(s) u otro(s) documento(s) normativo(s), siempre que sean utilizados de acuerdo con nuestras instrucciones;
- 06 sono conformi all(i) seguente(i) standard(i) o altro(i) documento(i) a carattere normativo, a patto che vengano usati in conformità alle nostre istruzioni;
- 07 areo oapibaru pe toți (a)obiectele(i) tipurilor(i) (a)ba hipoportivă (a)convoaia), unde tipul tipobindării și utilizarea documentației oapibaru pe toți obiectele tip.

**EN60335-2-40.**

- 01 following the provisions of:
- 02 gemäß den Vorschriften der:
- 03 conformément aux stipulations des:
- 04 overeenkomstig de bepalingen van:
- 05 siguientes las disposiciones de:
- 06 secondo le prescrizioni per:
- 07 je tipični tvor dokumentu tvor:
- 08 de acordo com o previsto em:
- 09 с соответствии с положениями:
- 10 under följande bestämmelser i:
- 11 enligt villkoren i:
- 12 enligt de bestämmelser i:
- 13 noudattamalla määräykset:
- 14 za do državnih ustanovljenih pogojev:
- 15 prema odredbama:
- 16 kveleli áli:
- 17 zgodnie z postanowieniami Dyrektywy:
- 18 in urma prevederilor:
- 19 ob upoštevjanju določb:
- 20 vastavalt nõuetele:
- 21 суреднавікам вырада на:
- 22 ліквідації наслідків пожежі:
- 23 іверітні прабавы, паказкі:
- 24 održavajući ustavenosti:
- 25 bunum koşullarına uygun olarak:

- 01 Nota \* as set out in <A> and judged positively by <B> according to the Certificate <C>.
- 02 Hinweis \* wie in <A> aufgeführt und von <B> positiv beurteilt gemäß Zertifikat <C>.
- 03 Remarque \* lorsque défini dans <A> et évalué positivement par <B> conformément au Certificat <C>.
- 04 Bemerk \* zoals vermeld in <A> en positief beoordeeld door <B> overeenkomstig Certificaat <C>.
- 05 Nota \* como se establece en <A> y es valorado positivamente por <B> de acuerdo con el Certificado <C>.
- 06 Nota \* delimita nel <A> e giudicato positivamente da <B> secondo il Certificato <C>.
- 07 Spjutiutum \* ömsu viðfarðum um <A> og dómurinn frá <B> er að hljóða jafnt til Þróttarinnis <C>.
- 08 Nota \* tal como estabelecido em <A> e com o parecer positivo de <B> de acordo com o Certificado <C>.
- 09 Примечание \* как указано в <A> и в соответствии с нормативными требованиями <B> согласно Сертификату <C>.
- 10 Bemerk \* som anført i <A> og positivt vurderet af <B> i henhold til Certifikat <C>.

- 06 (EN) заверяет, исключительно под свою ответственность, что модели кондиционеров воздуха, к которым относится настоящее заявление;
- 07 (D) erklärt auf seiner eigenen, alleinigen Verantwortung, dass die Modelle der Klimaanlage, auf die diese Erklärung bezieht, die folgenden Bestimmungen entsprechen;
- 11 (E) déclare sur sa seule responsabilité que les appareils (air conditionné) visés par la présente déclaration correspondent aux stipulations des normes ou autres documents normatifs mentionnés;
- 12 (NL) verklaart hierop op eigen exclusieve verantwoordelijkheid dat de airconditioning units waarop deze verklaring betrekking heeft;
- 13 (E) declara sub sa singura responsabilitate ca modelele de aer condiționată a sa sunt conformitate cu cerințele declarației;
- 14 (I) dichiara sotto sua responsabilità che i condizionatori modello a cui è riferita questa dichiarazione;
- 15 (GB) δηλώνει με αποκλειστική ευθύνη ότι η παρούσα δήλωση αφορά αποκλειστικά τα μοντέλα των κλιματιστικών συσκευών στα οποία αναφέρεται η παρούσα δήλωση;
- 16 (P) declara sub sa singura responsabilitate ca os modelele de aer condiționată a que estas declarată sa se refere.

- 09 estão em conformidade com a(s) seguinte(s) norma(s) ou outro(s) documento(s) normativo(s), desde que estes sejam utilizados de acordo com as nossas instruções;
- 10 overeenbldr volgende standard(er) eller andetendende retningsgivende dokument(er), forudsat at disse anvendes i henhold til vore instruktioner;
- 11 respektive utmähning á utförri i översensstämmele med otri följande standard(er) eller andra normgivande dokument, under förutsättning att användning sker översensstämmele med våra instruktioner;
- 12 respektive utslý er i översensstämmele med följende standard(er) eller andre normgivende dokument(er), under forutsætting av at disse brukes i henhold til våre instruksjoner;
- 13 vastavalt searavaten standardin ja muiden ohjeellisten dokumenttien vaatimuksia edellyttäen, että niitä käytetään ohjeellamme mukaisesti;
- 14 za preopkladu, že jsou vyznačeny souladu s našimi podmínkami, opovídající následujícími normami nebo normativním dokumentům;
- 15 u skladu sa sljebakom standardom (ima) ili drugim normativnim dokumentom (ima), uz uvjet da se oni koriste u skladu s našim uputama;

RXN50MV1B, RXN60MV1B, ARXN50MV1B, ARXN60MV1B,  
 RXN50NV1B, RXN60NV1B, ARXN50NV1B, ARXN60NV1B,  
 RXB50CV1B, RXB60CV1B, ARXB50CV1B, ARXB60CV1B,

ARXN50MV1B7, ARXN60MV1B7, RXK50AV1B, RXK60AV1B,

- 16 Megjegyzés \* a(z) <A> alapján, á(z) <B> igazolta a megjelölt, a(z) <C> tanúsítvány szerint;
- 17 Uvaga \* zadržbo z dokumentacij <A> pozitivno oprij <B> svidetvovom <C>.
- 18 Nota \* sig-com este stabilit în <A> și apreciat pozitiv de <B> în conformitate cu Certificatul <C>.
- 19 Opomba \* kot je obdoločeno v <A> in odobreno s strani <B> v skladu s certifikatom <C>.
- 20 Märkus \* nagu on määratud dokumentis <A> ja heaks kiidetud <B> järgi vastavalt sertifikaadile <C>.

Low Voltage 2006/95/EC  
 Machinery 2006/42/EC  
 Electromagnetic Compatibility 2004/108/EC \*

- 16 Information \* enigi <A> ohi opidatins av <B> enigi Certifikat <C>.
- 17 Uvaga \* som del framkommer <A> og på ingen måte positiv bedømmelse av <B> ifølge Sertifikaat <C>.
- 18 Nota \* joko an esletoil vastatustas <A> ja joko <B> on heakkihvasti sertifitseeritud <C> muudatustega.
- 19 Opomba \* kaj je obdoločeno v <A> in pozitivno zjeleno <B> v skladu s certifikatom <C>.
- 20 Märkus \* kaks je määratud <A> ja positiivselt heakkihvato od stasid <B> järgi vastavalt sertifikaadile <C>.

- 17 (L) deklareja na własnej odpowiedzialności, że modele klimatyzatorów, których dotyczy niniejsza deklaracja;
- 18 (D) erklärt auf eigene Verantwortung, dass die Modelle der Klimaanlage, auf die diese Erklärung bezieht, die folgenden Bestimmungen entsprechen;
- 19 (E) déclare sur sa seule responsabilité que les appareils (air conditionné) visés par la présente déclaration correspondent aux stipulations des normes ou autres documents normatifs mentionnés;
- 20 (NL) verklaart hierop op eigen exclusieve verantwoordelijkheid dat de airconditioning units waarop deze verklaring betrekking heeft;
- 21 (E) declara sub sa singura responsabilitate ca modelele de aer condiționată a sa sunt conformitate cu cerințele declarației;
- 22 (I) dichiara sotto sua responsabilità che i condizionatori modello a cui è riferita questa dichiarazione;
- 23 (GB) δηλώνει με αποκλειστική ευθύνη ότι η παρούσα δήλωση αφορά αποκλειστικά τα μοντέλα των κλιματιστικών συσκευών στα οποία αναφέρεται η παρούσα δήλωση;
- 24 (P) declara sub sa singura responsabilitate ca os modelele de aer condiționată a que estas declarată sa se refere.

RXN50MV1B, RXN60MV1B, ARXN50MV1B, ARXN60MV1B,  
 RXN50NV1B, RXN60NV1B, ARXN50NV1B, ARXN60NV1B,  
 RXB50CV1B, RXB60CV1B, ARXB50CV1B, ARXB60CV1B,

ARXN50MV1B7, ARXN60MV1B7, RXK50AV1B, RXK60AV1B,

- 16 Megjegyzés az alábbi szabvány(ok)nak vagy egyéb irányadó dokumentum(ok)nak, ha azokat előírás szerinti használatuk;
- 17 megfelel a(n) vonatkozó normák (munkaterv) követelményeinek, feltéve, hogy azokat a megjelölt útmutatók szerint használják;
- 18 surt în conformitate cu următorii (următoare) standard(e) sau alți (documente) normative, cu condiția ca acestea să fie utilizate în conformitate cu instrucțiunile noastre;
- 19 skladu z naslednjimi standardi in drugim normativi, pod pogojem, da se uporabljajo v skladu z našimi navodili;
- 20 on vastavusse järgmistele standarditele või teistele normatiivsetele dokumentidele, kui need kasutatakse vastavalt meie juhenditele;
- 21 соответствует или другим нормативным документам, при условии, что с использованием нашего инструкций;
- 22 aifrika lemaia nurodytus standartus ir (arba) kitus norminius dokumentus sa sąlyga, kad yra naudojami pagal mūsų nurodymus;
- 23 ad, ja teikti atbilstošą rašytinį nurodymą, atbūti susiję su standartu ar citu normatyviniu dokumentu;
- 24 su i zivotis s nasledujícím normami nebo normativními dokumenty;
- 25 iütiin, laimatlama gora kullanimasi kosuluyaka asgūduaki standartar ve norm beifiten beifetelere uyumludur;

- 10 Direktiiv, med senere ændringer.
- 11 Direktiv, med foretagne ændringer.
- 12 Direktiiv, med foretagne ændringer.
- 13 Direktiiv, seadisekum ne oot muutluna.
- 14 v päinemis znehi.
- 15 Suhteme, kaks ja zmjenjeno.
- 16 rānyevāki (s) mūdsistāsik rēndkēzēsēt.
- 17 z pāzērszymi pporawkami.
- 18 Direktiiv, cu amendamentele respective.
- 19 Direktiiv, med senere ændringer.
- 20 Direktiiv koos muudatustega.
- 21 Директив, с внесенными изменениями.
- 22 Direktiivose su parajūmās.
- 23 Direktiivis un to papildījumās.
- 24 Smernice, v plānotu zmēni.
- 25 Daģstīrīmāš tālruniņē Yovetmeklēr.

- 21 Zjednoczona \* karro e vnotovese s <A> i owerkeo potvorenno or <B> sraznoo Cerzifikatu <C>.
- 22 Paabta \* kaip nustatyta <A> žaido legiamai nustatyte <B> pagal Sertifikaat <C>.
- 23 Pizmes \* ka noratams <A> an atbilstoš <B> pozitivan noratamun saskaia sa Sertifikaat <C>.
- 24 Pomba \* ako bno uvedeno v <A> a pozitivne zseno <B> v sūlase s osvedenim <C>.
- 25 Not \* <A> da beifidūgi gū ve <C> Sertifikaat na gūre <B> beifidūgi oamū oarak deģerendūgi gū.



Shigeki Morita  
 Director  
 Ostend, 09th of December 2014







- In the event that there is any conflict in the interpretation of this manual and any translation of the same in any language, the English version of this manual shall prevail.
- The manufacturer reserves the right to revise any of the specification and design contain herein at any time without prior notification.
- En cas de désaccord sur l'interprétation de ce manuel ou une de ses traductions, la version anglaise fera autorité.
- Le fabricant se réserve le droit de modifier à tout moment et sans préavis la conception et les caractéristiques techniques des appareils présentés dans ce manuel.
- Im Falle einer widersprüchlichen Auslegung der vorliegenden Anleitung bzw. einer ihrer Übersetzungen gilt die Ausführung in Englisch.
- Änderungen von Design und technischen Merkmalen der in dieser Anleitung beschriebenen Geräte bleiben dem Hersteller jederzeit vorbehalten.
- Nel caso ci fossero conflitti nell'interpretazione di questo manuale o delle sue stesse traduzioni in altre lingue, la versione in lingua inglese prevale.
- Il fabbricante mantiene il diritto di cambiare qualsiasi specificazione e disegno contenuti qui senza precedente notifica.
- En caso de conflicto en la interpretación de este manual, y en su traducción a cualquier idioma, prevalecerá la versión inglesa.
- El fabricante se reserva el derecho a modificar cualquiera de las especificaciones y diseños contenidos en el presente manual en cualquier momento y sin notificación previa.
- В случае противоречия перевода данного руководства с другими переводами одного и того же текста, английский вариант рассматривается как приоритетный.
- Завод-изготовитель оставляет за собой право изменять характеристики и конструкцию в любое время без предварительного уведомления.
- Bu kılavuzun anlaşılmasında bir çatışma olduğunda ve farklı dillerdeki tercümele farklılık gösterdiğinde, bu kılavuzun İngilizce sürümü üstün tutulacaktır.
- Üretici burada bulunan teknik özellikleri ve tasarımları herhangi bir zamanda ve önceden haber vermeden değiştirme hakkını saklı tutar.

---

**DAIKIN EUROPE N.V.**

Zandvoordestraat 300, B-8400 Oostende, Belgium

**DAIKIN MCQUAY MIDDLE EAST FZE**

P.O.Box 18674, Galleries 4, 11th Floor,  
Downtown Jebel Ali, Dubai, UAE.

Importer for Turkey

**DAIKIN ISITMA ve SOĞUTMA SİSTEMLERİ SAN TİC A.Ş.**

Hürriyet Mahallesi Yakacık D-100 Kuzey Yanyol Caddesi  
No:49/1-2 Kartal – İstanbul

**DAIKIN INDUSTRIES, LTD.**

Head office:

Umeda Center Bldg., 2-4-12, Nakazaki-Nishi,  
Kita-ku, Osaka, 530-8323 Japan

Tokyo office:

JR Shinagawa East Bldg., 2-18-1, Konan,  
Minato-ku, Tokyo, 108-0075 Japan  
<http://www.daikin.com/global/>



- اذا حدث اي تعارض في تفسير هذا الكتيب واي اختلاف في الترجمة نفسها بأية لغة كانت. تكون النسخة الانكليزية هي السائدة.
- يحتفظ المصنع بحق تعديل التصميم وإية مواصفات موجودة هنا في اي وقت من دون إشعار مسبق.

---

**DAIKIN INDUSTRIES, LTD.**

Head office:  
Umeda Center Bldg., 2-4-12, Nakazaki-Nishi,  
Kita-ku, Osaka, 530-8323 Japan

Tokyo office:  
JR Shinagawa East Bldg., 2-18-1, Konan,  
Minato-ku, Tokyo, 108-0075 Japan  
<http://www.daikin.com/global/>

**DAIKIN EUROPE N.V.**

Zandvoordestraat 300, B-8400 Oostende,  
Belgium

**DAIKIN MCQUAY MIDDLE EAST FZE**

P.O.Box 18674, Galleries 4, 11th Floor,  
Downtown Jebel Ali, Dubai, UAE.

Importer for Turkey

**DAIKIN ISITMA ve SOĞUTMA SISTEMLERİ SAN TİC A.Ş.**

Hürriyet Mahallesi Yakacık D-100 Kuzey Yanyol Caddesi  
No:49/1-2 Kartal – İstanbul

## ⚠️ تنبيه

- لا تلمس الاجزاء المعدنية من الوحدة الداخلية. يمكن ان يسبب ذلك جروحاً.
- عند نزع او تركيب اللوحة الامامية، ادمع اللوحة بصورة آمنة بواسطة اليد وذلك لمنع سقوط اللوحة.
- للتنظيف، لا تستعمل ماء ساخن بدرجة حرارة اكثر من 40 درجة مئوية، ولا تستعمل البنزين، والكايز والثر، ولا تستعمل الزيوت المتطايرة.
- ومركبات التلميع، وفراشي الخدش، او مواد تنظيف الايدي.
- بعد التنظيف، تأكد من ان اللوحة الامامية مثبتة بصورة آمنة.

### عند عدم استخدام الوحدة لفترة طويلة من الزمن

<p>ارفع قابس التيار. اذا كنت تستخدم دائرة كهربائية مستقلة للوحدة، افصل الدائرة. ارفع البطاريات من موجه التحكم عن بعد.</p>		<p>شغّل الوحدة لمدة ساعتين بواسطة التهيئة التالية.  وضع التشغيل: تبريد درجة الحرارة: 86°F / 30°C</p>	
---	---	--	---

### دليل التحري عن الخلل واصلاحه

من اجل المعلومات حول قطع الاحتياط يرجى الاتصال بوكيل المرخص. اذا لاحظت اي اختلال في عمل وحدة مكيف الهواء، فوراً اوقف التزود بالتيار للوحدة. افحص الحالات والاسباب التالية لبعض التلميحات المفيدة لدليل التحري عن الخلل واصلاحه.

الاسباب/الفاعل	العيب
<p>– الحماية مقابل الانطلاق المألوف للتشغيل. انتظر لمدة 3 الى 4 دقائق لكي تبدأ الضاغطة بالعمل.</p>	<p>1. لا تشغل الضاغطة لمدة 3 دقائق بعد تشغيل مكيف الهواء.</p>
<p>– قصور في التيار، او الفاصمة بحاجة الى الاستبدال. – قابس التيار مفصول. – من المحتمل ضبط مؤقت التأخير بصورة خاطئة. – اذا استمر الاختلال بعد كل هذه التحقيقات، يرجى الاتصال بالشخص المختص بتركيب وحدة مكيف الهواء.</p>	<p>2. لا تشغل وحدة مكيف الهواء.</p>
<p>– اتساخ مرشح الهواء. – الأبواب او النوافذ مفتوحة. – يوجد عائق امام تفرغ وتصريف الهواء. – تنظيم درجة الحرارة ليس عالياً بدرجة كافية.</p>	<p>3. انسياب الهواء منخفض جداً.</p>
<p>– قد تكون الروائح بسبب السجائر، او ذرات الدخان، او العطور... الخ. والتي قد تلتصق على الملف.</p>	<p>4. الهواء المفرغ المناسب يحتوي على رائحة كريهة.</p>
<p>– هذا بسبب رطوبة الهواء بعد فترة طويلة من الاستخدام. – درجة الحرارة المضبوطة منخفضة جداً. قم بزيادة تهيئة درجة الحرارة وشغّل الوحدة على المروحة بسرعة عالية.</p>	<p>5. التكاثر على شبكة الهواء الامامية للوحدة الداخلية.</p>
<p>– اوقف تشغيل الوحدة واتصل بوكيل.</p>	<p>6. يتدفق الماء من وحدة مكيف الهواء.</p>

اذا استمر الاختلال، يرجى الاتصال بوكيلك المحلي/او بالشخص المختص بالصيانة.

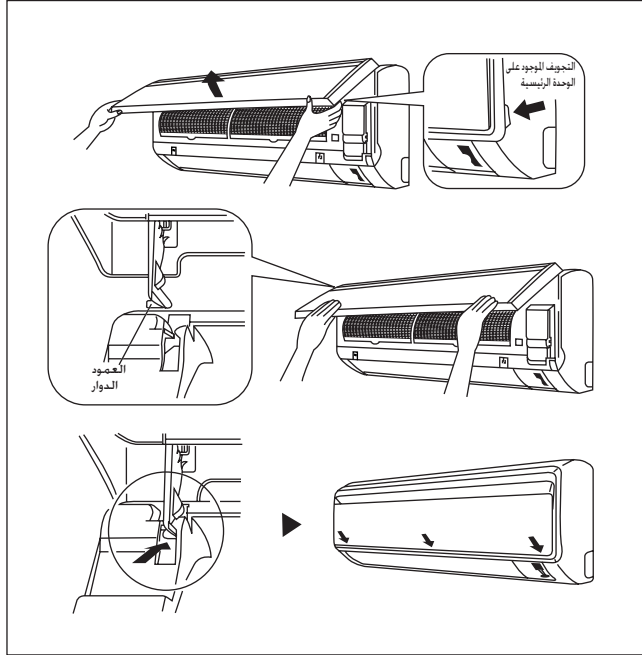
## التصليح والصيانة

ملاحظة صالحة لتركيبها فقط: عمر منتجاتنا هو عشر (10) سنوات

المدة	اجراءات الصيانة	اقسام الصيانة
مرة واحدة كل اسبوعين على الاقل. زيادة التكرار عند الضرورة.	<ol style="list-style-type: none"> <li>1. ازل اي غبار ملتصق بالمرشح باستعمال مكنسة كهربائية او نظّفه بماء دافئ قليلاً (اقل من 40 ° مئوية) مع محلول تنظيف متعادل.</li> <li>2. اشطف المرشح جيداً وجفّفه قبل اعاده وضعه في داخل الوحدة.</li> <li>3. لاتستعمل الكازولين، او المواد الطيارة او الكيماوية لتنظيف المرشح.</li> </ol>	مرشح الهواء الداخلي
مرة واحدة كل اسبوعين على الاقل. زيادة التكرار عند الضرورة.	<ol style="list-style-type: none"> <li>1. نظّف اية اوساخ او غبار يوجد على الشبكة او اللوحة بمسحه بقطعة قماش ناعمة منقوعة بماء دافئ قليلاً (اقل من 40 ° مئوية) مع محلول تنظيف متعادل.</li> <li>2. لاتستعمل الكازولين او المواد الطيارة او الكيماوية لتنظيف الوحدة الداخلية.</li> </ol>	الوحدة الداخلية

### تنبيه

- لاتشغل اية اجهزة حرارية بالقرب من وحدة مكيف الهواء. هذا سوف يؤدي الى اذابة اللوحة البلاستيكية او تشوهها كنتيجة للحرارة الشديدة.



### 1. افتح اللوحة الامامية.

- امسك اللوحة من التجاويف الموجودة على الوحدة الرئيسية (2 تجويف على الجانب الايسر والايمن) وارفع اللوحة حتى تتوقف.

### 2. انزع اللوحة الامامية.

- اثناء رفع اللوحة الامامية اكثر، ازلها الى جهة اليمين واسحبها الى الجانب الامامي. ييم فصل العمود الدوار الايسر. ازل العمود الدوار الايمن لجهة اليسار واسحبه لجهة الامام لنزعه.

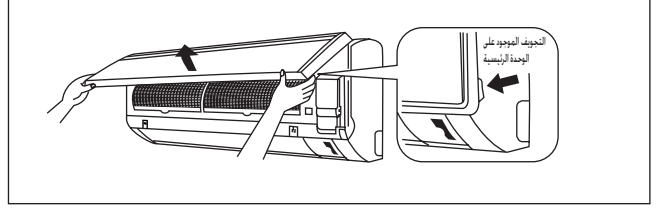
### 3. ركب اللوحة الامامية.

- وازن العمود الدوار الايسر والايمن للوحة الامامية مع البروز وادفعهم للداخل.
- اغلِق اللوحة الامامية بلطافة. (ادفع كلا الطرفين والمركز على اللوحة الامامية.)

## مرشح الهواء

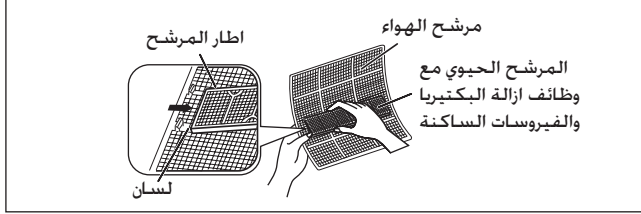
### 1. افتح اللوحة الامامية

- امسك اللوحة من التجاويف الموجودة على الوحدة الرئيسية (2) تجويف على الجانب الايسر والايمن) وارفع اللوحة حتى تتوقف.



### 4. نظّف او بدل كل مرشح.

- انظر الشكل.
- عند نفخ الماء المتبقي على المرشح. لا تعصر المرشح.



### 2. اسحب مرشحات الهواء للخارج.

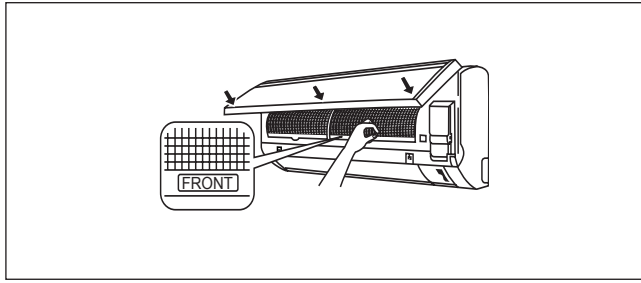
- ادفع اللسان الموجود في مركز كل مرشح بصورة قليلة للاعلى. وبعد ذلك اسحبه للاسفل.

### 3. انزع المرشح الحيوي مع وظائف ازالة البكتيريا والفيروسات الساكنة.

- امسك الاجزاء المجوفة للاطار وفك المخالب الاربعة.

### 5. ضع مرشح الهواء والمرشح الحيوي مع وظائف ازالة البكتيريا والفيروسات الساكنة كما كانت واغلق اللوحة الامامية.

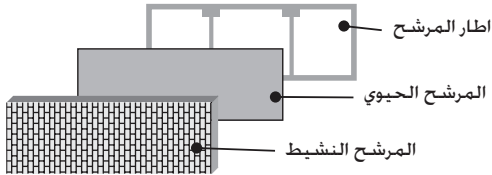
- ادخل مخالب المرشحات داخل شقوق اللوحة الامامية. اغلق اللوحة الامامية ببطنى وادفع اللوحة في ال 3 نقاط (1 على كل جانب و 1 في المنتصف).
- يمتلك مرشح الهواء والمرشح الحيوي مع وظائف ازالة البكتيريا والفيروسات الساكنة شكل متماثل في الاتجاه الافقي.



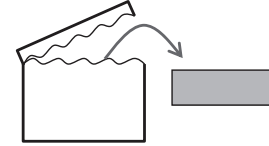
\* المرشح الحيوي والمرشح النشط هي ملحقات اختيارية.

### اجراء تركيب المرشح الحيوي

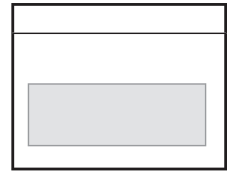
ازلق المرشح الحيوي بين اطار و المرشح النشط.



اخرج المرشح في وقت التركيب.



المرشح الحيوي محزوم في حقيبة مغلقة بشكل - سحري



### ⚠ تنبيه

- يرجى استعمال المرشح الحيوي اثناء الفصل الجاف مثل فصل الشتاء.
- طرق خزن واستعمال المرشح والتخلص منه.
- مدة خدمة المرشح الحيوي حوالي سنة بعد فتحه.
- في حالة عدم استعمال المرشح الحيوي فورا. يرجى عدم وضع المرشح الحيوي في مكان معرض لأشعة الشمس المباشرة. ودرجات الحرارة العالية و/او الرطوبة العالية.
- يمكن ان يكون هناك اختلاف بسيط في لون المرشح الحيوي بسبب التصنيع. ولا يوجد تأثير على اداء الوحدة.
- افتح هذه الحقيبة رأسا قبل الاستعمال. يجب ان يبقى المرشح الحيوي غير مفتوح ومختوم في حزمته حتى قبل الاستعمال. (يمكن ان يسبب فتح المرشح الحيوي نقص في التأدية او تغيير في الجودة).
- لتجنب خطر الاختناق وأي حادث غير متوقع. يرجى التخلص من الحقيبة البلاستيكية حالا بعد إخراج المرشح الحيوي. ابعد الأطفال الرضع والأطفال عن من الحقيبة البلاستيكية.
- اذا حفظت المرشح الحيوي لمدة طويلة. يرجى حفظه بدون فتح واخزنه في مكان بارد بعيدا عن اشعة الشمس المباشرة.
- يرجى التخلص من المرشح الحيوي القديم بعد الاستعمال كفضلات غير قابلة للاشتعال.
- التشغيل مع المرشحات القدرة:
  - (1) لا يمكن ازالة الروائح الكريهة.
  - (2) لا يمكن تنظيف الهواء.
  - (3) ينتج تدفئة وتبريد ضعيف.
  - (4) يمكن ان تسبب روائح كريهة.
- لطلب المرشح الحيوي. اتصل بمتجر الخدمة الذي اشتريته منه المكيف.

## تشغيل وحدة مكيفة الهواء

### الوضع الجاف

- عندما تكون الرطوبة عالية في الجو. يمكن تشغيل الوحدة بالوضع الجاف. اضغط زر <MODE> واختر <DRY>.
- إذا كانت درجة حرارة الغرفة أعلى بدرجتين 2 درجة مئوية من الدرجة المضبوطة. سوف تشتغل مكيفة الهواء تحت وضع التبريد إلى أن تصل ضمن 2 درجة مئوية من مدى الاختلاف بالمقارنة إلى الدرجة المضبوطة قبل التحول إلى الوضع الجاف.
- إذا كانت درجة حرارة الغرفة ضمن 2 درجة مئوية من مدى الاختلاف بالمقارنة إلى الدرجة المضبوطة. سوف تشتغل مباشرة تحت الوضع الجاف.
- سوف تشتغل الوحدة بسرعة LOW تحت الوضع الجاف.

### وضع التدفئة (الوحدة ضخ التدفئة فقط)

- عند تشغيل الوحدة بمباشرة دورة التبريد أو اذابة الصقيع. تشتغل المروحة الداخلية بعدما يصل الملف إلى درجة الحرارة المرغوبة.
- عند الوصول إلى الدرجة المضبوطة. سوف تشتغل المروحة الداخلية لحين عدم تمكن الملف من التزويد بآية تدفئة إضافية.

### التحكم بانسياب الهواء

- لزيادة فعالية دوران الهواء. يمكنك ضبط شبكة الهواء المفرغ باليد لليساو أو لليمين.
- أثناء تشغيل وضع التبريد وتشغيل الوضع الجاف. لاتوجه شق تصريف الهواء نحو الأسفل لمدة طويلة جداً. إذا استمر التشغيل بهذه الطريقة. قد يحدث تكاثف على الشق. هذا بسبب التقطير.

### سرعة المروحة والسعة المقدرة للتبريد

- يتم التزويد بالسرعة المقدرة للتبريد عند السرعة العالية HIGH للمروحة.
- سوف تنخفض سعة التبريد عند تشغيل الوحدة بسرعة MEDIUM و LOW للمروحة.

### ملاحظات حول قلابات الهواء وزوايا شقوق التهوية

- عندما يتم اختيار زر تأرجح الهواء "SWING button". يعتمد مدى تأرجح قلابات الهواء على وضع التشغيل. (انظر الشكل).

### تنبيه

- استعمل دائماً وحدة التحكم عن بعد لضبط زاوية قلابات الهواء. إذا حاولت تحريكها بواسطة اليد بصورة فورية أثناء تأرجحها. فإنه يمكن أن يحصل كسر في آلية تحريك قلابات الهواء.
- انتبه عند ضبط شقوق التهوية. يوجد داخل مخرج الهواء مروحة دوارة بسرعة عالية.

### الحماية من التدفئة الزائدة (الوحدة ضخ التدفئة فقط)

- في حالة إذا كان درجة الحرارة الداخلية و/أو الخارجية عالية. أو كان المرشح متسخ. سوف تحمي مادة التبريد. ويتم فصل الضاغطة عندما تصل درجة حرارة التكاثر إلى 62 درجة مئوية.

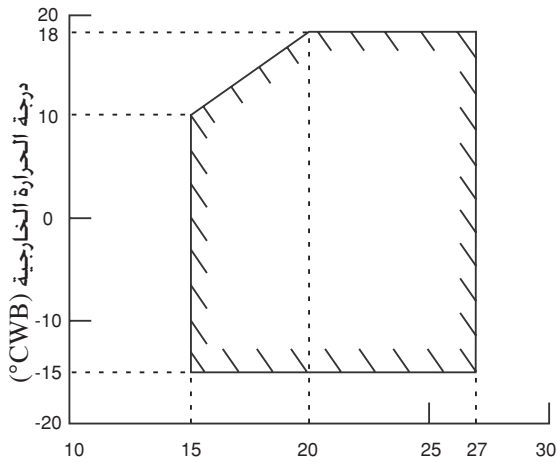
### منع الانجماد

- عندما يكون المرشح متسخاً. سوف تقل درجة حرارة التبخر وفي آخر الأمر تؤدي إلى الانجماد.
- إذا وصلت درجة الحرارة إلى 1- درجة مئوية. سوف تتوقف الوحدة وتبدأ بإزالة الصقيع.

## مدى التشغيل

الموديل: FTXB50/60CV1B  
RXB50/60CV1B

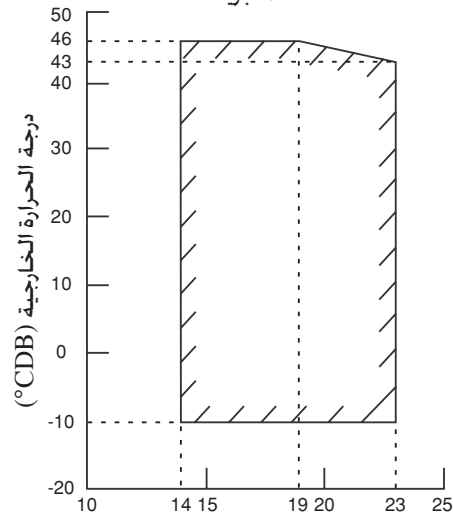
### التدفئة



درجة الحرارة الداخلية (°CDB)

WB: بصيلة رطبة

### التبريد



درجة الحرارة الداخلية (°CWB)

DB: بصيلة جافة

## الشحن الإضافي

ان مادة تبريد الوحدة الخارجية مشحونة مسبقاً. اذا كان طول الانابيب اقل من 7.5م. اذن لا حاجة لشحن اضافي بعد التفريغ. اذا كان طول الأنابيب أكثر من 7.5م. استعمل صمام الشحن الإضافي كما هو مبين في الجدول.

شحن مادة التبريد الإضافية [غم] لكل 1م اضافي كما هو مبين في الجدول

الداخلية	FTXB50CV1B	FTXB60CV1B
الخارجية	RXB50CV1B	RXB60CV1B
الشحن الإضافي [غم/م]	20	20

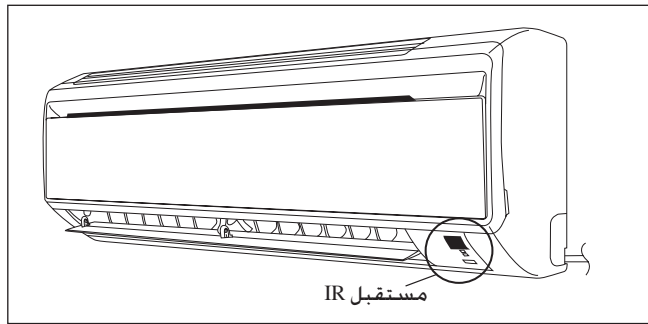
مثال:

الموديلات FTXB50CV1B & RXB50CV1B بطول انابيب 12م. يكون طول الانابيب الاضافي 4.5م لهذا.  
الشحن الاضافي = 4.5 [م] x 20 [غم/م]  
= 90.0 [غم]

## اضواء المؤشر

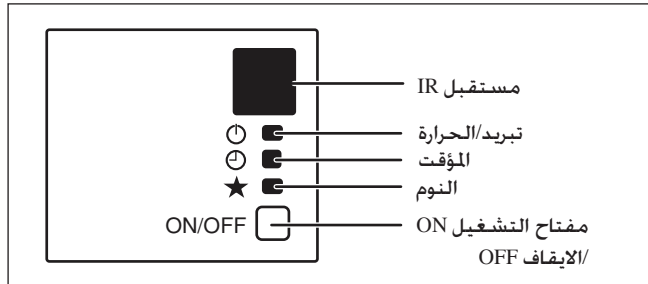
### مستقبل اشارة IR

عندما يتم ارسال اشارة التحكم عن بعد تحت الحمراء. سوف يستجيب مستقبل الاشارة الموجود على الوحدة الداخلية كما هو مبين في الاسفل لتأكيد قبول ارسال الاشارة.



تشغيل ON الى ايقاف OFF	1 صوت بيب طويل
اييقاف OFF الى تشغيل ON ضج للاسفل/تشغيل قوة التبريد	2 صوت بيب قصير
اخرى	1 صوت بيب قصير

### اضواء مؤشر LED لوحدة التبريد/وحدة ضخ التدفئة



### وحدة التبريد/وحدة ضخ التدفئة

يعرض الجدول اضواء مؤشر LED لوحدة مكيف الهواء تحت حالات التشغيل العادي والخاطيء.

توجد اضواء المؤشر LED على جانب وحدة مكيف الهواء.

ان وحدة ضخ التدفئة مجهزة بمتحسس للوضع "التلقائي" الذي يوفر درجة حرارة معقولة للغرفة بواسطة التحويل التلقائي لوضع "التبريد" او "التدفئة" وفقاً الى درجة الحرارة المضبوطة من قبل المستخدم.

### اضواء مؤشر LED: حالات التشغيل العادي والخاطيء لوحدة التبريد / وحدة ضخ التدفئة

العملية	★	تبريد/تدفئة (اخضر/احمر)	⏸
وضع التبريد		○ اخضر	
وضع الحرارة.		○ احمر	
الوضع التلقائي في عملية التدفئة		○ احمر	
الوضع التلقائي في عملية التبريد		○ اخضر	
تشغيل المؤقت		○	
تشغيل وضع النوم	○	○	
تشغيل الوضع المروحة		○ اخضر	
تشغيل الوضع الجاف		○ اخضر	
عملية ازالة الصقيع		● احمر	
خطأ الوحدة		● اخضر	

● تومض

○ تشغيل

## تحذيرات خصوصية عند التعامل مع الوحدة R410A

- استعمال ادوات ومواد مقتصرة لمادة R410A. ان الادوات المخصصة لمادة R410A على وجه الخصوص هي صمام متشعب المسالك، خرطوم الشحن، مقياس الضغط، مكشاف تسرب الغاز، عُدّة توسيع، مفتاح عزم التدوير مضخة مفرغة هواء واسطوانة مادة التبريد.
- بما أن مكيفة هواء R410A تتعرض لضغط اعلى من وحدات R22، فمن الواجب اختيار انابيب نحاسية بشكل صحيح، لاستعمال مطلقاً انابيب نحاسية سمكها اقل من 0.8 مم حتى لو كانت متوفرة في الاسواق.
- اذا حدث تسرب لغاز التبريد اثناء التركيب/الصيانة، تأكد من التهوية بشكل كامل، اذا حدث تماس لغاز التبريد مع النار، سوف يؤدي الى انطلاق غاز سام.
- عند تركيب او نزع مكيفة الهواء، لاتسمح ببقاء الهواء او الرطوبة في دورة مادة التبريد.

- ان R410A هي مادة تبريد HFC جديدة التي لاتسبب ضرر لطبقة الاوزون. ان ضغط التشغيل لمادة التبريد هذه هو 1.6 اعلى من مادة التبريد التقليدية (R22). لهذا يعتبر التركيب/الصيانة الصحيحة امراً اساسياً.
- مطلقاً لاتستعمل مادة تبريد اخرى غير R410A في مكيفة الهواء المصممة للتشغيل مع مادة R410A.
- يستخدم زيت POE أو PVE لتزيت ضاغطة R410A، والذي يخلق عن الزيت المعدني المستخدم ضاغطة R22. اثناء النصب أو الصيانة، يجب اتخاذ حيلة أكثر لعدم تعرض نظام R410A للهواء الرطب لفترة طويلة من الزمن. يمكن أن يمتص زيت POE أو PVE المتبقي في الأنابيب والمكونات الرطوبية من الهواء.
- لتفادي الشحن الخاطيء، فإن قطر منفذ الصيانة الموجود على صمام التوسيع يختلف عن ذلك المخصص لمادة R22.

## التفريغ والشحن

يعتبر التفريغ ضرورياً لازالة الرطوبة والهواء من النظام.

### تفريغ الأنابيب والوحدة الداخلية

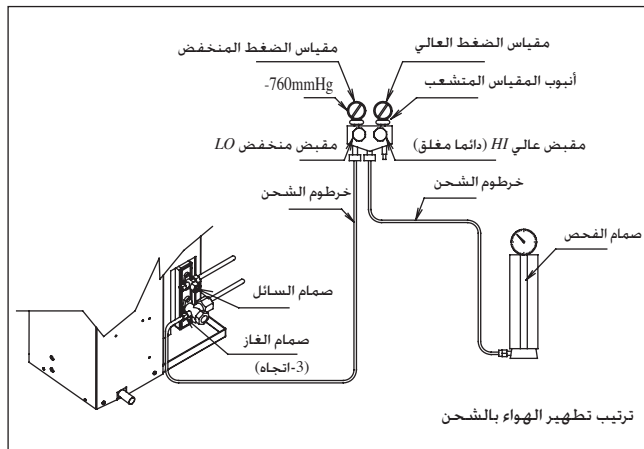
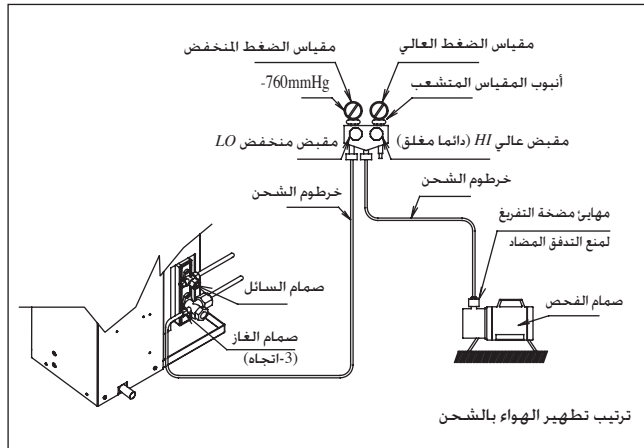
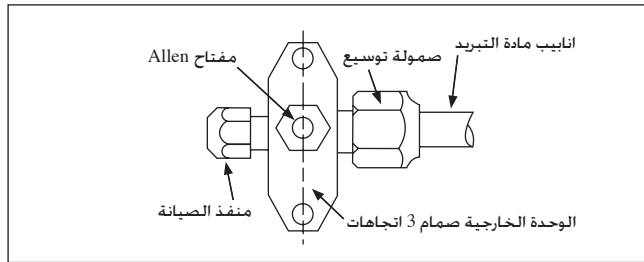
- باستثناء الوحدة الخارجية التي تم شحنها مسبقاً بمادة التبريد، يجب تطهير الوحدة الداخلية وانابيب التوصيل من الهواء لأن الهواء يحتوي على رطوبة تبقى اثناء دورة التبريد مما يسبب خلل في عمل الضاغطة.
- ارفع الاغطية من الصمام ومنفذ الصيانة.
- اوصل مركز مقياس الشحن بمضخة التفريغ.
- اوصل مقياس الشحن بمنفذ الصيانة للصمام الثلاثي.
- شغل مضخة التفريغ. يكون التفريغ لمدة 30 دقيقة تقريباً.
- تختلف مدة التفريغ باختلاف سعة مضخة التفريغ. تأكد من انتقال ابرة مقياس الشحن باتجاه -760mmHg.

### تنبيه

- إذا لم ابرة مقياس التحرك ل -760mmHg، تأكد من تحقق من وجود تسرب في نوع مضيئة اتصال من وحدة داخلية وخارجية وإصلاح تسرب قبل الانتقال إلى الخطوة التالية.
- اغلق الصمام لمقياس التغيير ووقف مضخة التفريغ.
- على الوحدة الخارجية، افتح صمام الامتصاص (3 اتجاهات) وصمام السائل (2 اتجاه) (عكس اتجاه عقارب الساعة) بواسطة مفتاح 4 مم للمسمار السداسي.

### عملية الشحن

- يجب ان تنجز هذه العملية باستعمال اسطوانة الغاز وآلة ميزان دقيقة. تتم تعبئة الشحن الاضافي الى اعلى مستوى في الوحدة الخارجية باستعمال صمام الامتصاص من خلال منفذ الصيانة.
- ارفع غطاء منفذ الصيانة.
- اوصل جانب الضغط المنخفض لمقياس الشحن بمركز منفذ الامتصاص لصهرج الاسطوانة واغلق جهة الضغط العالي للمقياس. اطرد الهواء من انبوب الصيانة.
- شغل وحدة مكيفة الهواء.
- افتح اسطوانة الغاز وصمام الضغط المنخفض للشحن.
- عند ضخ كمية مادة التبريد المطلوبة الى الوحدة، اغلق صمام الضغط المنخفض واسطوانة الغاز.
- افصل انبوب الصيانة من منفذ الصيانة. اعد غطاء منفذ الصيانة.



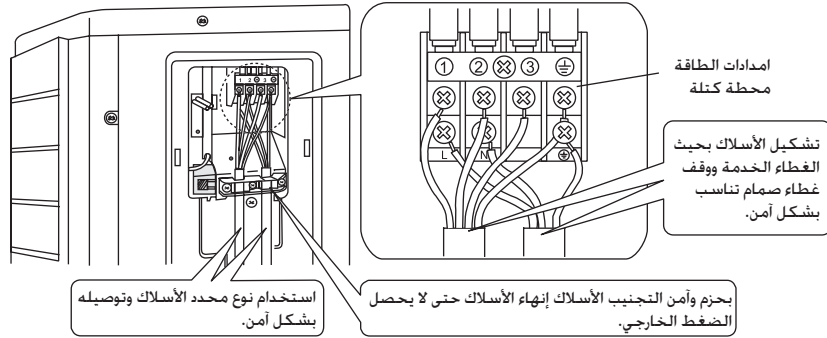
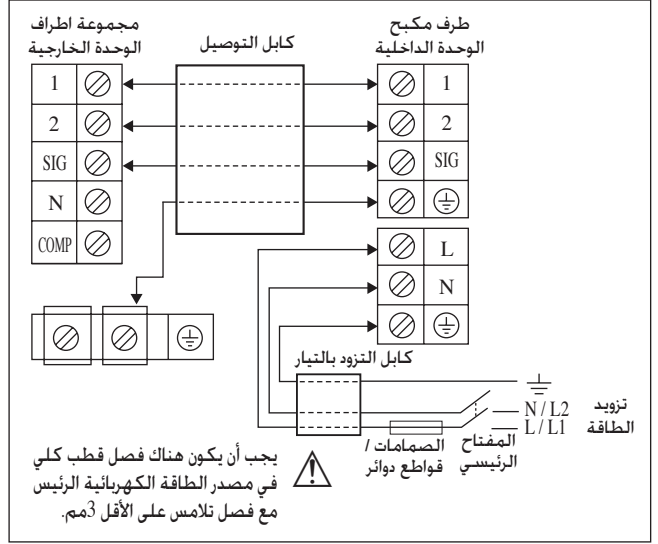


## توصيل الاسلاك الكهربائية

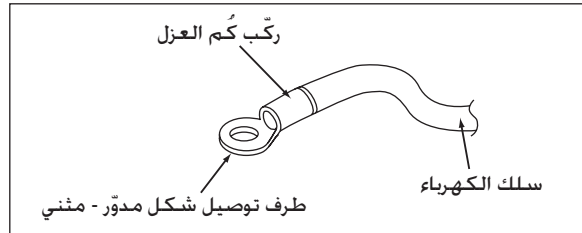
**هام:** \* ان الارقام الموجودة في الجدول هي لغرض الاطلاع فقط. يجب فحصها واختيارها بحيث تتوافق مع الشفرات المحلية المألوفة. هذه ايضاً عرضةً لنوع النصب واستعمال الموصلات.  
\*\* يجب فحص مدى الفولطية المناسب مع معطيات العلامة الموجودة على الوحدة.

الموديل	FTXB50/60CV1B RXB50/60CV1B
مدى الفولطية**:	220-240V/~50Hz + ⊕
حجم كابل التزود بالتيار* عدد الموصلات	2.5 مم <sup>2</sup> 3
حجم كابل الربط* عدد الموصلات	2.5 مم <sup>2</sup> 4
أوصت الصمامات / حلبة تصنيف الكسارة	A

\* إذا كان طول الكابل يزيد عن مترين. فاستخدم كابل بحجم أكبر.

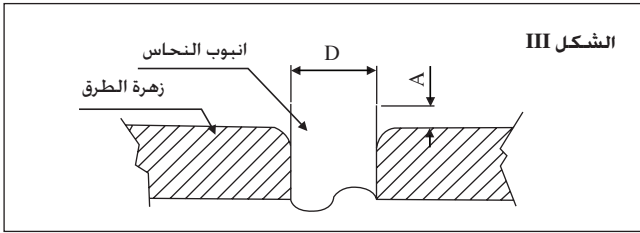
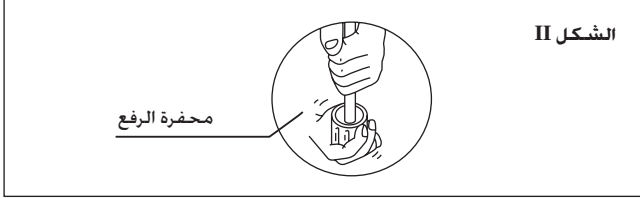
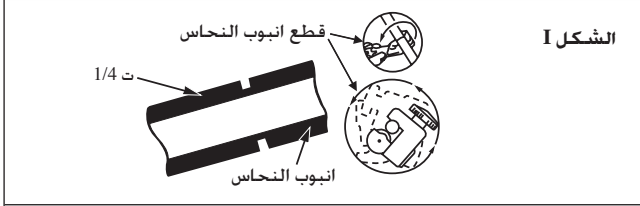


- يجب توصيل كافة الاسلاك باحكام.
- تأكد من أن كافة الأسلاك تكون غير ملامسة لأنابيب المبرد. أو الضاغط أو أية أجزاء متحركة.
- يجب تثبيت سلك التوصيل بين الوحدة الخارجية والوحدة الداخلية بواسطة أدوات تثبيت الأسلاك المرفقة.
- يجب ان يساوي كبل التزود بالتيار الى H07RN-F والذي يتطلب الحد الأدنى.
- تأكد من عدم وجود أي ضغط خارجي على أطراف الموصلات والأسلاك.
- تأكد من تثبيت كافة الأغشية بشكل صحيح لتجنب وجود أي فجوات.
- استعمل طرف توصيل شكل مدور - مثنى من اجل توصيل الأسلاك مع بلوك توصيل مصدر الطاقة الكهربائية. اوصل الأسلاك حسب تطابق العلامة الموجودة على بلوك التوصيل. (ارجع إلى مخطط الأسلاك الموجود على الوحدة).

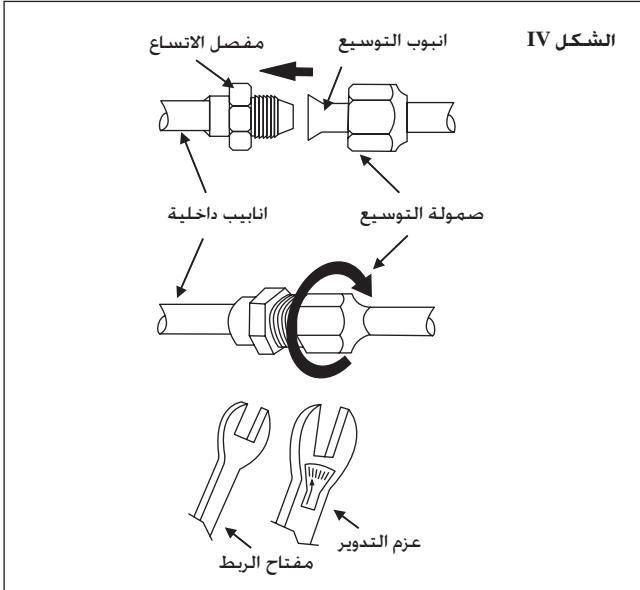


- استخدم المفك المناسب لربط مسامير الوحدات الطرفية. يمكن أن يتسبب المفك غير المناسب في إتلاف رأس المسامير.
- قد يتسبب الربط الشديد في إتلاف مسامير الوحدات.
- لا تقم بتوصيل سلك من مقياس مختلف بنفس الوحدة.
- حافظ على الأسلاك بطريقة منظمة. كما يجب أن تتأكد من عدم إعاقة الأسلاك للأجزاء الأخرى وغطاء صندوق الوحدة.





A (مم)		Ø انبوب بنصف قطر. D	
الثابت (نوع فاصل)	الامبراطوري (نوع صمولة - مجنحة)	مم	بوصة
0.70	1.30	6.35	1/4"
1.30	1.90	12.70	1/2"
1.70	2.20	15.88	5/8"



### انجاز شبكة الانابيب و التوسيع التقني

- لا تستعمل أنابيب نحاسية ملوثة أو متضررة. إذا تم فتح أية أنابيب. أو المبخر أو المكثف لمدة 15 ثانية أو أكثر. فإنه يجب تفرغ النظام. عادة، لا تنزع البلاستيك، القوابس المطاطية والصمولات النحاسية من الصمامات، والتجهيزات، والأنابيب والملفات حتى تصبح جاهزة لتوصيل خط الامتصاص أو السائل على الصمامات أو التجهيزات.
- إذا تطليت اي اعمال لحم بالنحاس. تأكد من مرور غاز النتروجين من خلال الملف والمفاصل اثناء انجاز اعمال اللحام بالنحاس. هذا سوف يزيل السخام المتكون على الجدران الداخلية للأنابيب النحاسية.
- اقطع الانبوب مرحلة بعد مرحلة. بحيث يتقدم نصل قاطعة الانبوب ببطء. تسبب القوة الزائدة والقطع العميق الى تشوه اكثر للانبوب مما يؤدي الى حافات خشنة اضافية. انظر الشكل I.
- ازل الحافات الخشنة من النهايات المقطوعة للانبابيب بواسطة المزيل كما هو موضح في الشكل II. هذا لتجنب عدم الانتظام على اوجه التوسيع والتي تسبب تسرب الغاز. امسك نهاية الانبوب نحو الاسفل لمنع دخول الشظايا المعدنية الى داخل الانبوب.
- ادخل موسع الصمولات ثبته على الاقسام الموصلة للوحدتين الداخلية والخارجية على الانابيب النحاسية.
- يتم تحديد الطول الصحيح للأنبوب البارز من السطح العلوي من زهرة الطرق بواسطة أداة التوسيع. ارجع إلى الشكل III.
- ثبّت الأنبوب بشكل محكم على زهرة الطرق. وازن كلا من مركزي زهرة الطرق وسنبك التوسيع وبعد ذلك شدّ سنبك التوسيع بصورة كاملة.

### توصيل الانابيب الى الوحدات

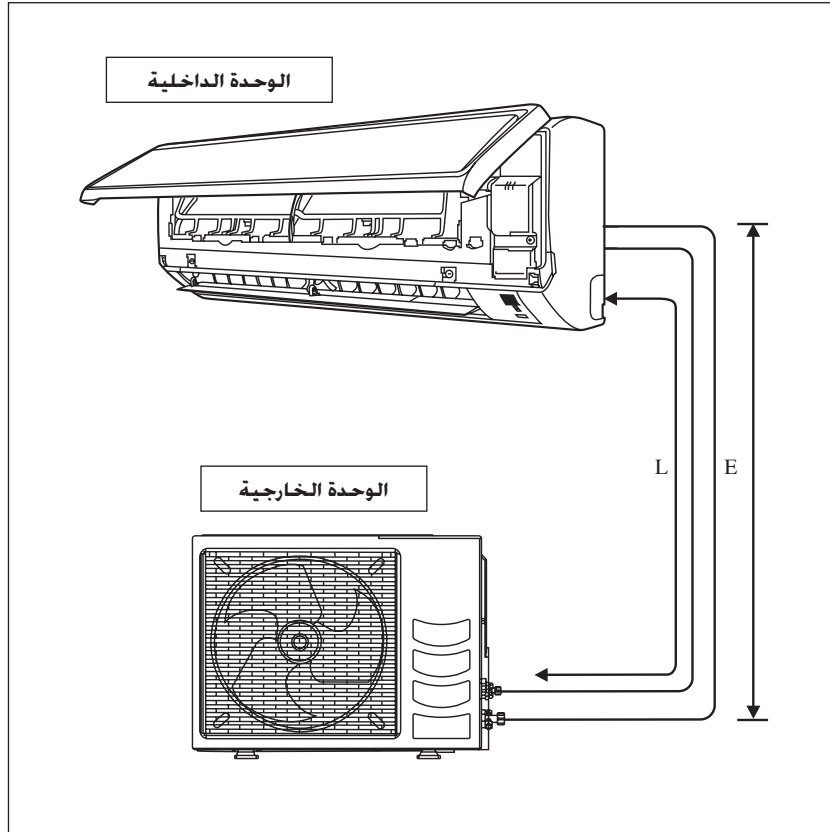
- قم بمحاذاة مركز الأنابيب واحكم ضبط صمولة الاتساع بصورة كافية بواسطة الاصابع. ارجع إلى الشكل IV.
- اخيراً، احكم ضبط صمولة الاتساع بواسطة عزم التدوير الى ان تسمع طقطقة التدوير.
- عند احكام شدّ صمولة التوسيع بواسطة مفتاح عزم التدوير. تأكد من اتجاه احكام الشد يتبع السهم المبين على المفتاح.
- توصيل أنبوب المبرّد معزول بخلية مغلقة من البولي يورثين.

عزم التدوير. (ft-lb) / Nm	حجم الانبوب، مم (بوصة)
18 (13.3)	6.35 (1/4")
55 (40.6)	12.70 (1/2")
65 (48.0)	15.88 (5/8")

## أنابيب التبريد

### الأنابيب المدة المسموح به

عندما يكون الانبوب طويلاً جداً، سوف تقل السعة والاعتمادية كليهما. بسبب زيادة عدد الانحناءات، وزيادة نظام مقاومة الانابيب لتدفق مادة التبريد. وبالتالي تنخفض سعة التبريد. كنتيجة لذلك، تتأثر اعتمادية الضاغطة. دائماً اختر اقصر مسار واتبع التوصيات المدونة ادناه:



FTXB60CV1B	FTXB50CV1B	الموديل
	3	الطول الأدنى المسموح به (الطول L)، م.
	30	الطول الأقصى المسموح به (الطول L)، م.
	10	الارتفاع الأقصى المسموح به (الارتفاع E)، م.
15.88 (5/8")	12.70 (1/2")	حجم أنبوب الغاز، مم/(بوصة)
	6.35 (1/4")	حجم أنبوب السائل، مم/(بوصة)

\* تأكد من اضافة كمية مادة التبريد الاضافية الصحيحة. يمكن ان ينتج عن عدم اضافة كمية مادة التبريد الاضافية الصحيحة نقص في التأدية. تعليق: ان مادة التبريد المشحونة مسبقاً في الوحدة الخارجية هي لأنابيب طولها 7.5م.

### أي ما يعادل طول المناسب لمختلف

فخ بيند	L المشتركة	حجم الانبوب
		
1.3	0.18	3/8" (OD9.52 مم)
1.5	0.20	1/2" (OD12.7 مم)
2	0.25	5/8" (OD15.9 مم)
2.4	0.35	3/4" (OD19.1 مم)
3	0.40	7/8" (OD22.2 مم)
3.4	0.45	1" (OD25.4 مم)
3.7	0.50	1 1/8" (OD28.6 مم)
4.4	0.60	1 3/8" (OD34.9 مم)

تلاحظ:

1. يتم الحصول على ما يعادل طول أنابيب بطول أنابيب الغاز الغلي لل.
2. 90° بيند من الأنابيب ما يعادل المشتركة L.

يجب اجراء الثني بعناية حتى لاينكسر الانبوب. استعمل اداة ثني الانبوب لثني الانبوب كلما كان هذا ممكناً.

## تثبيت الوحدة على لوحة التركيب

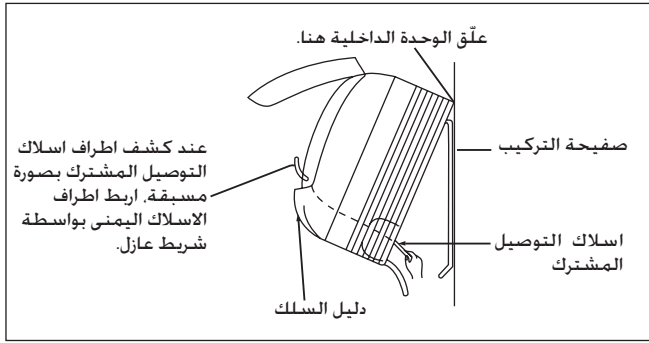
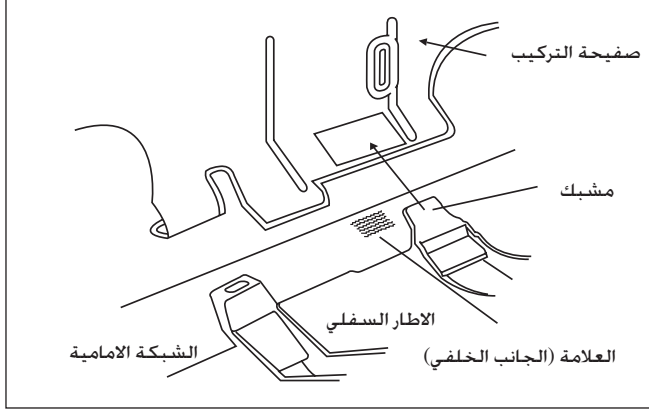
تثبت الوحدة الداخلية على القسم العلوي للوحة التركيب (اربط الكلابين في أعلى مؤخرة الوحدة الداخلية مع الحافة العلوية للوحة التركيب). تأكد من تثبيت الكلابين بصورة صحيحة على لوحة التركيب بواسطة تحريكهما لليسار ولليمين.

## كيفية تركيب الوحدة الداخلية

علق مخالب الأطار السفلية على صفيحة التركيب.

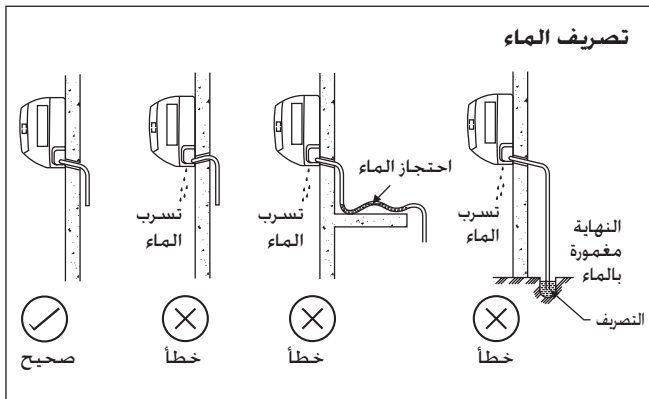
## كيفية نزع الوحدة الداخلية

ادفع المنطقة المؤثرة (في القسم السفلي من الشبكة الأمامية) لتحرير المخالب.



## أنابيب تصريف الماء

يجب ان تكون انابيب التصريف الداخلية بشكل المنحني النازل للتصريف السهل. تجنب الأوضاع التي يحتمل فيها تسرب الماء.



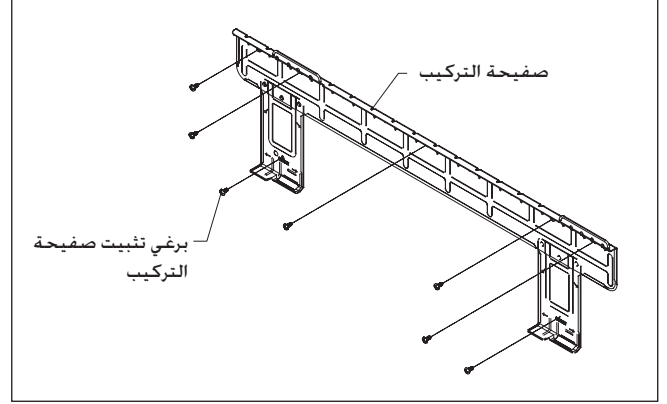
## ⚠️ تنبيه

- لا تركيب الوحدة على ارتفاع أكثر من 2000م لكلا من الداخل والخارج.

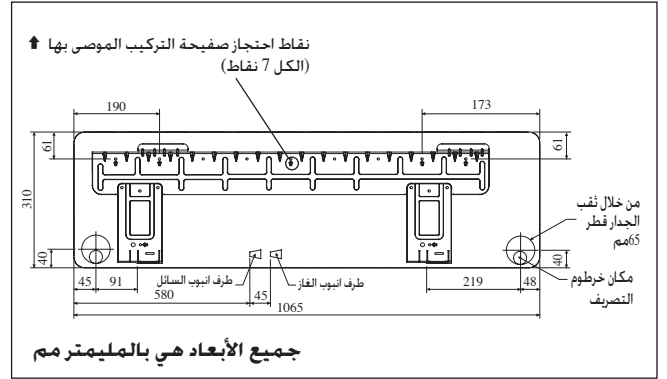
## لوحة تثبيت التركيب

تأكد من القوة الكافية للجدار بحيث يتحمل وزن الوحدة. بطريقة اخرى، من الضروري تقوية الجدار بواسطة اللوحات، او الدعامات أو القوائم.

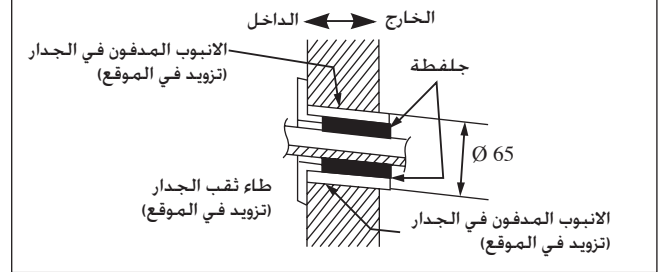
7 استخدم مقياس المستوى للتثبيت الأفقي. وقم بتثبيتها بواسطة فتحة بنصف قطر 65مم بواسطة مثقاب مخروطي. برفق اخفضه على (الجدار الخارجي) (انظر الشكل).



## نقاط احتجاز صفيحة التركيب الموصى بها والأبعاد



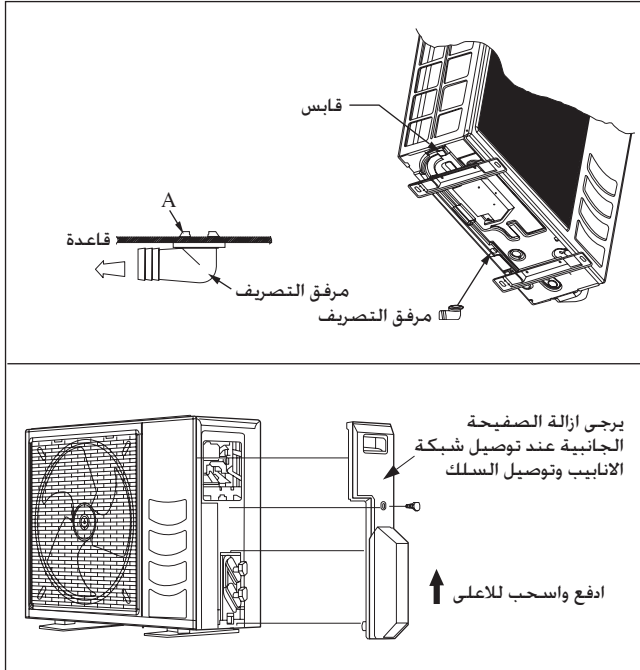
## فتحة مع مثقاب مخروطي



## التخلص من ماء التكاثف للوحدة الخارجية

### (وحدة مضخة الحرارة فقط)

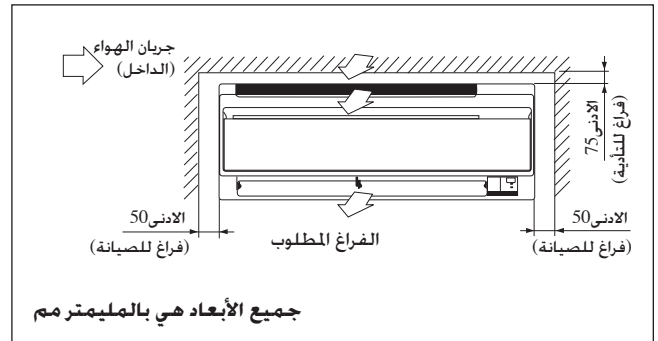
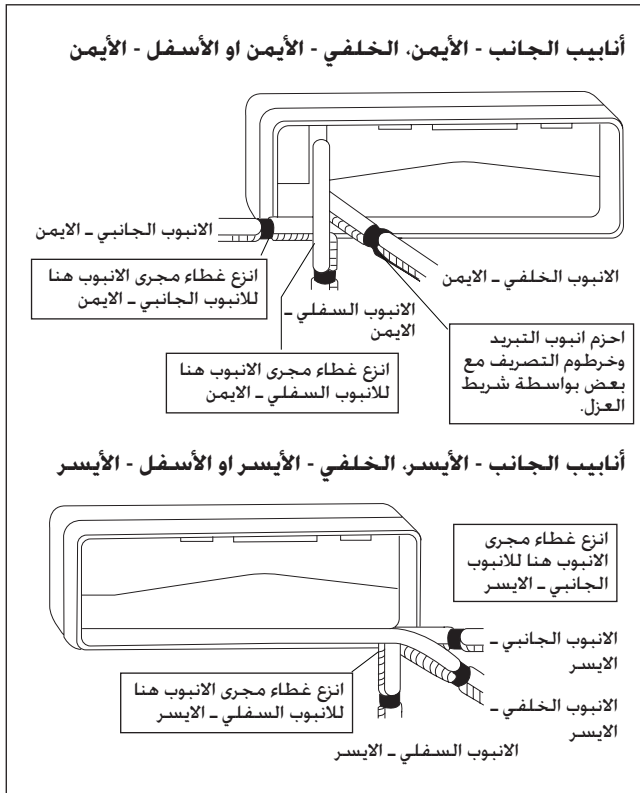
- يوجد ثقبين على قاعدة الوحدة الخارجية من أجل انسياب الماء المتكثف. ادخل مرفق التصريف في احد الثقبين.
- لتركيب مرفق التصريف، أولاً ادخل جزءاً واحداً من الخطاف في القاعدة (الجزء A). ثم اسحب مرفق التصريف بالاتجاه المبين بواسطة السهم بينما تدخل الجزء الآخر في القاعدة. بعد التركيب، تحقق من تثبيت مرفق التصريف على القاعدة بشكل محكم.
- اذا تم تركيب الوحدة في منطقة ثلجية وباردة، قد يتجمد الماء المتكثف على القاعدة. في تلك الحالة، يرجى نزع القابض الموجود في اسفل الوحدة لتسهيل عملية التصريف.



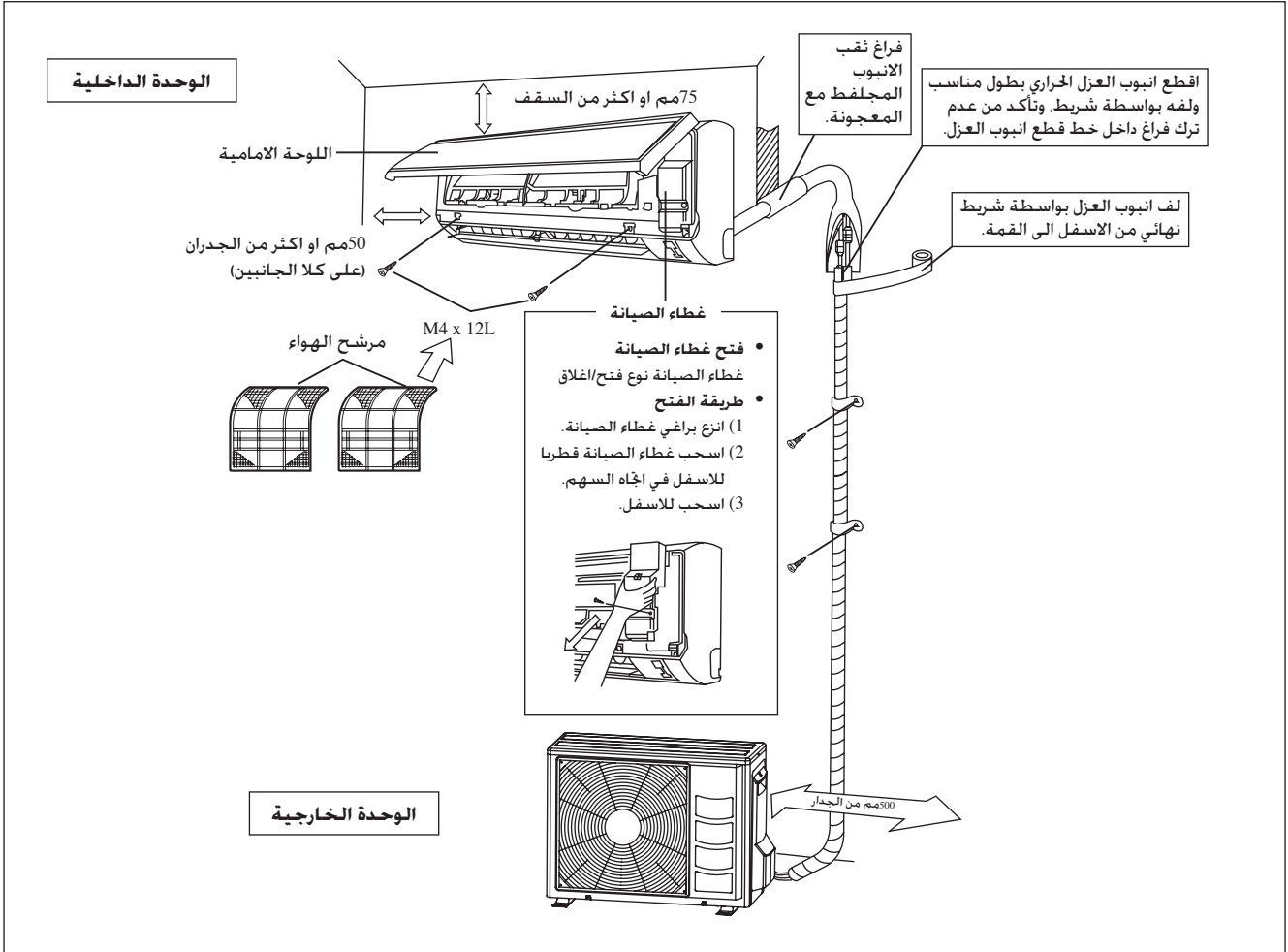
## تركيب الوحدة الداخلية

يمكن تمرير شبكة انابيب التبريد الى الوحدة بعدد من الطرق (الجهة اليسرى او اليمنى من خلف الوحدة). بواسطة استعمال الثقوب المُعدّة للقطع الموجودة على صندوق الوحدة (انظر الشكل). قم بثنى الانابيب بحذر الى الموضع المطلوب لكي تتم محاذاها مع الثقوب. للجانب والأسفل الخارجي، امسك أسفل شبكة الانابيب ومن ثم وجهه على الاتجاه المطلوب (انظر الشكل). يمكن شد أنبوب تصريف التكاثف الى الانابيب.

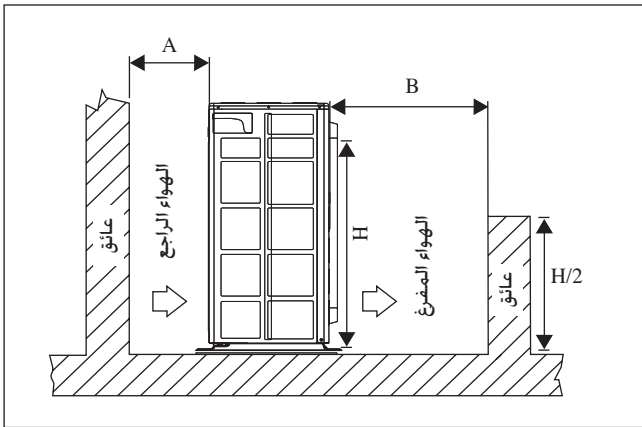
يجب تركيب الوحدة الداخلية بمثل هذه الطريقة لمنع قصر الدائرة للهواء المفرغ البارد مع الهواء الحار الرر الراجع. يرجى اتباع المسافة الفارغة للتركيب الموضحة في الرسم. يجب عدم وضع الوحدة الداخلية في مكان معرض لاشعة الشمس القوية، ايضاً. أن يكون الموقع مناسب للأنابيب والتصريف، وبعيداً عن الأبواب او النوافذ.



## مخطط التركيب



## تركيب الوحدة الخارجية

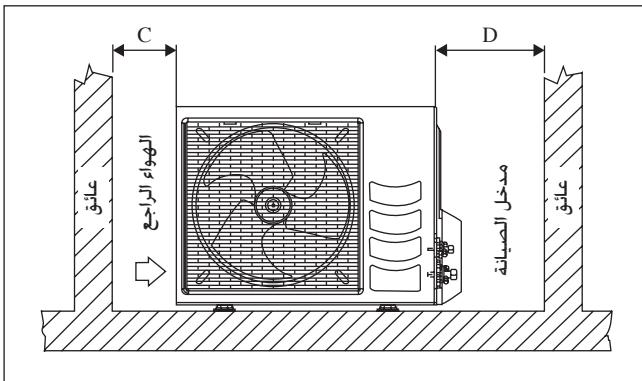


يجب تركيب الوحدة الخارجية بمثل هذه الطريقة. لمنع قصر الدائرة للهواء المفرغ الحار او اعاقه الانسياب السهل للهواء. يرجى اتباع المسافة الفارغة للتركيب الموضحة في الرسم. اختر أبرد مكان محتمل بحيث لا تزيد درجة حرارة الهواء الداخلي عن درجة حرارة الهواء الخارجي (يرجى الرجوع إلى مدى التشغيل).

### المسافة الفارغة للتركيب

الأبعاد	A	B	C	D
الحد الاقصى للمسافة، مم	300	1000	300	500

ملاحظة: اذا وجدت عوائق اعلى من 2م، او اذا وجد اي عائق على القسم العلوي للوحدة، يرجى زيادة الفراغ اكثر من الرقم الموضح في الجدول اعلاه.



معلومات مهمة بخصوص مادة التبريد المستعملة  
هذا المنتج يحتوي على الغازات المسببة للاحتباس الحراري المفلورة.  
لا تطلق هذه الغازات في الجو.

نوع مادة التبريد : R410A

قيمة<sup>(1)</sup> GWP : 2087.5

<sup>(1)</sup> GWP = امكانية الاحترار العالمي

يرجى التعبئة بحبر لا يمحي.

■ ① شحن مادة التبريد في المصنع للمنتج.

■ ② كمية مادة التبريد الاضافية المشحونة في الموقع.

■ ① + ② شحن مادة التبريد الكلية

على ملصق شحن مادة التبريد المزود مع المنتج.

يجب الصاق الملصق المعبئ قرب مجرى شحن المنتج (مثال، على داخل غطاء الخدمة).

1 شحن مادة التبريد في المصنع للمنتج:  
انظر صفيحة اسم الوحدة<sup>(2)</sup>

2 كمية مادة التبريد الاضافية المشحونة في الموقع

3 شحن مادة التبريد الكلية

4 يحتوي على الغازات المسببة للاحتباس الحراري المفلورة

5 الوحدة الخارجية

6 اسطوانة مادة التبريد والمقياس المتشعب للشحن

<sup>(2)</sup> في حالة الاجهزة الداخلية المتعددة، يجب الصاق 1 ملصق فقط\*. مذكور فيه كمية مادة التبريد الكلية المشحونة في المصنع لكل  
الوحدات الداخلية الموصولة في نظام مادة التبريد.

يمكن ان يكون هناك حاجة للفحوصات الدورية من اجل تسرب مادة التبريد وذلك اعتمادا على القوانين الاوروبية او المحلية. يرجى الاتصال بعميلك  
من اجل معلومات اكثر.

\* على الوحدة الخارجية



## كتيب التركيب

يزودك هذا الكتيب بطرق التركيب لضمان التشغيل العادي الجيد والمأمون لوحدة مكيفة الهواء. قد يكون من الضروري اجراء ضبط خاص لكي يلائم متطلباتك.

قبل استعمال مكيفة الهواء، يرجى قراءة كتيب التعليمات هذا بعناية والاحتفاظ به للمرجعة في المستقبل. هذا الجهاز معد للاستعمال من قبل مستعملين ذوي خبرة ومدربين في المتاجر، في المصانع والمزارع الصغيرة، او للاستعمال التجاري من قبل أشخاص معينين.

هذا الجهاز غير مصمم للاستعمال من قبل الاشخاص، بما في ذلك الاطفال، الذين لديهم نقص او اعاقه في قدراتهم الجسدية او الحسية او العقلية او نقص في الخبرة والمعرفة بتشغيل الجهاز، إلا اذا تم الاشراف عليهم او اعطائهم التعليمات المتعلقة باستعمال الجهاز من قبل شخص مسؤول عن سلامتهم.

يجب الاشراف على الاطفال لضمان عدم عبثهم بالجهاز

### احتياطات الأمان

#### تنبيه

- يرجى ملاحظة النقاط المهمة التالية عند النصب.
- لا تنصب الوحدة في مكان معرض لغاز سريع الالتهاب.
- اذا تسرب الغاز وتجمع حول الوحدة، فإنه يمكن ان يسبب ذلك اشعال النار.
- تأكد من توصيل أنابيب التصريف بصورة صحيحة.
- اذا لم يتم توصيل انابيب التصريف بصورة صحيحة، سوف يتسرب الماء الذي يؤدي الى ترطب الأثاث.
- لا تفرط في شحن الوحدة.
- تم شحن الوحدة مسبقاً في المصنع.
- يؤدي الشحن الزائد الى تجاوز التيار او تلف الضاغطة.
- تأكد من غلق لوحة الوحدة بعد اجراء الصيانة او النصب.
- يؤدي عدم غلق اللوحات بأحكام بالوحدة الى التشغيل المصحوب بالضوضاء.
- حافظات حادة و اسطح ملتفة في مواقع كامنة والتي تسبب مخاطر الجروح. تجنب من الاحتكاك بهذه الأماكن.
- قبل فصل مصدر تزويد الطاقة الكهربائية، اضبط مفتاح التشغيل/ الايقاف ON/OFF الموجود على وحدة التحكم عن بعد على وضع الايقاف "OFF" وذلك لمنع حصول ازعاج وضرب من المكيف. في حالة عدم عمل ذلك، سوف تشتغل مرواح المكيف اوتوماتيكيا عند استعادة الطاقة الكهربائية ويمكن ان يتعرض الأشخاص الفنيين اوالمستعمل للخطر.
- لا تركيب الوحدة على أو بقرب المدخل.
- لا تشغل أي جهاز تدفئة بشكل قريب جدا من وحدة مكيف الهواء أو تستعمله في الغرفة حيث يوجد زيت معدني، تبخر للزيت أو بخار زيت، لان هذا يمكن أن يسبب ذوبان أو تشويه الجزء بلاستيكي نتيجة للحرارة المفرطة أو التفاعل الكيماوي.
- عند استعمال الوحدة في المطبخ، لا تسمح للطحين بالدخول إلى أنبوب امتصاص الوحدة.
- هذه الوحدة غير مناسبة للاستعمال في المصنع حيث يوجد سحب زيت للقطع أو مسحوق حديدي أو الفولطية كثيرا.
- لا تركيب الوحدات في مناطق مثل مناطق الينابيع الحارة أو مصفاة البترول حيث يوجد غازات كبريتية.
- تأكد من ان الوان اسلاك الوحدة الخارجية وعلامات اطراف التوصيل هي نفسها على الوحدات الداخلية على التوالي.
- هام: لا تنصب او تستعمل وحدة مكيفة الهواء في غرفة الغسيل.
- لا تستخدم أسلاك مضمومة أو ملتوية لتوليد الطاقة للجهاز.
- الجهاز غير مصمم للعمل في بيئة قابلة للانفجار.

#### تحذير

- يجب اجراء عملية التركيب والصيانة من قبل الفنيين المختصين الذين لديهم حسن الاطلاع على الشفرة والتنظيم المحلي، والخبرة مع هذا النوع من الاجهزة.
- يجب نصب شبكة اسلاك مجال القوة وفقاً الى تنظيم شبكة اسلاك الوطن.
- تأكد من ان معدل الفولطية للوحدة يتطابق مع اللوحة المحددة قبل أن تبدأ بأعمال شبكة الاسلاك وفقاً الى مخطط التمديدات الكهربائية.
- يجب تأريض الوحدة لمنع المخاطر المحتملة بسبب نقص العازل.
- يجب ان لا تلامس الاسلاك الكهربائية انابيب المبرد او اية اجزاء متحركة من محركات المروحة.
- تأكد من تحويل الوحدة على موضع الايقاف OFF قبل اجراء عملية النصب او الصيانة للوحدة.
- افصل مكيف الهواء من مصدر تزويد الطاقة الكهربائية الرئيسي قبل اجراء عملية صيانة وحدة مكيف الهواء.
- لا تسحب سلك الطاقة الكهربائية عندما تكون الطاقة الكهربائية موصولة، يمكن ان يسبب ذلك ضربات كهربائية قوية ويمكن ان تسبب مخاطرالحريق.
- ضع الوحدة الداخلية والوحدة الخارجية، وكبل الطاقة الكهربائية واسلاك الارسال، على مسافة 1 متر على الاقل بعيدا عن اجهزة التلفزيونات والراديو، وذلك لمنع تشوه الصورة والتشويش اذاعي. {اعتمادا على نوع ومصدر الامواج الكهربائية، يمكن ان يتم سماع تشويش اذاعي وحتى اذا كانت المسافة اكثر من 1 متر}.

### لاحظة



#### متطلبات التخلص من مكيف الهواء

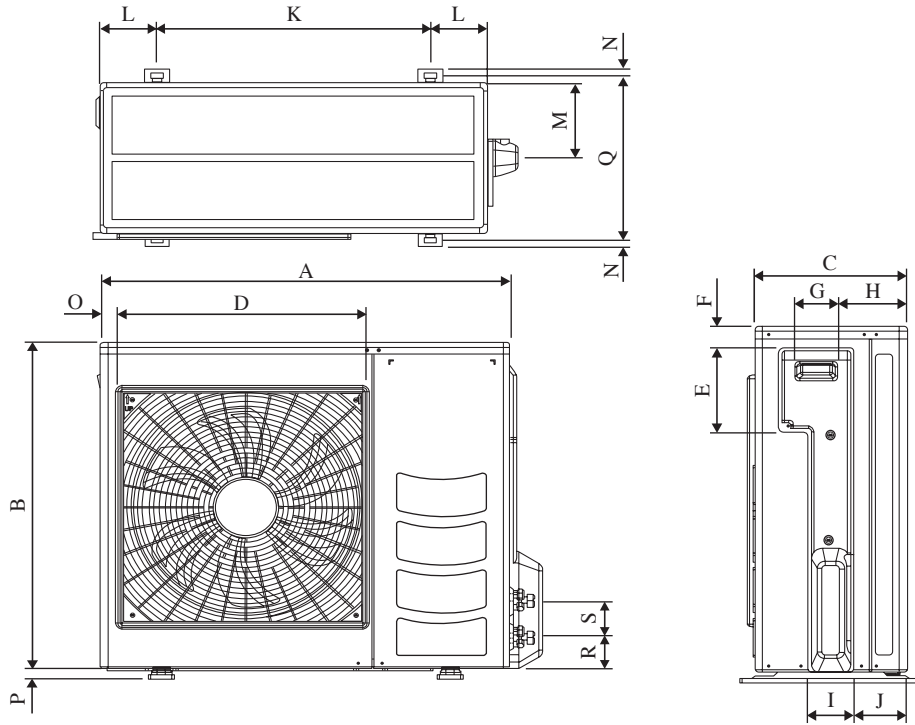
مكيف الهواء مؤشر بهذا الرمز: هذا يعني انه يجب عدم خلط المنتجات الكهربائية والالكترونية مع فضلات المنزل غير المصنفة. لا تحاول تفكيك المكيف بنفسك: يجب اجراء تفكيك مكيف الهواء، ومعالجة مادة التبريد، والزيت والاجزاء الاخرى من قبل اشخاص مختصين وذلك حسب القوانين المحلية والوطنية المتعلقة بذلك.

يجب تصليح مكيفات الهواء في اماكن متخصصة بالتصليح من اجل اعادة الاستعمال، والتدوير والاصلاح، بواسطة التخلص الصحيح من هذا المنتج، فانك سوف تساعد على منع النتائج السلبية من اجل المحافظة على البيئة وصحة الانسان. يرجى الاتصال بالفنيين المختصين او السلطات المحلية من اجل الحصول على معلومات اكثر.

يجب اخراج البطاريات من وحدة التحكم عن بعد والتخلص من البطاريات بصورة منفصلة وذلك حسب القوانين المحلية والوطنية المتعلقة بذلك.

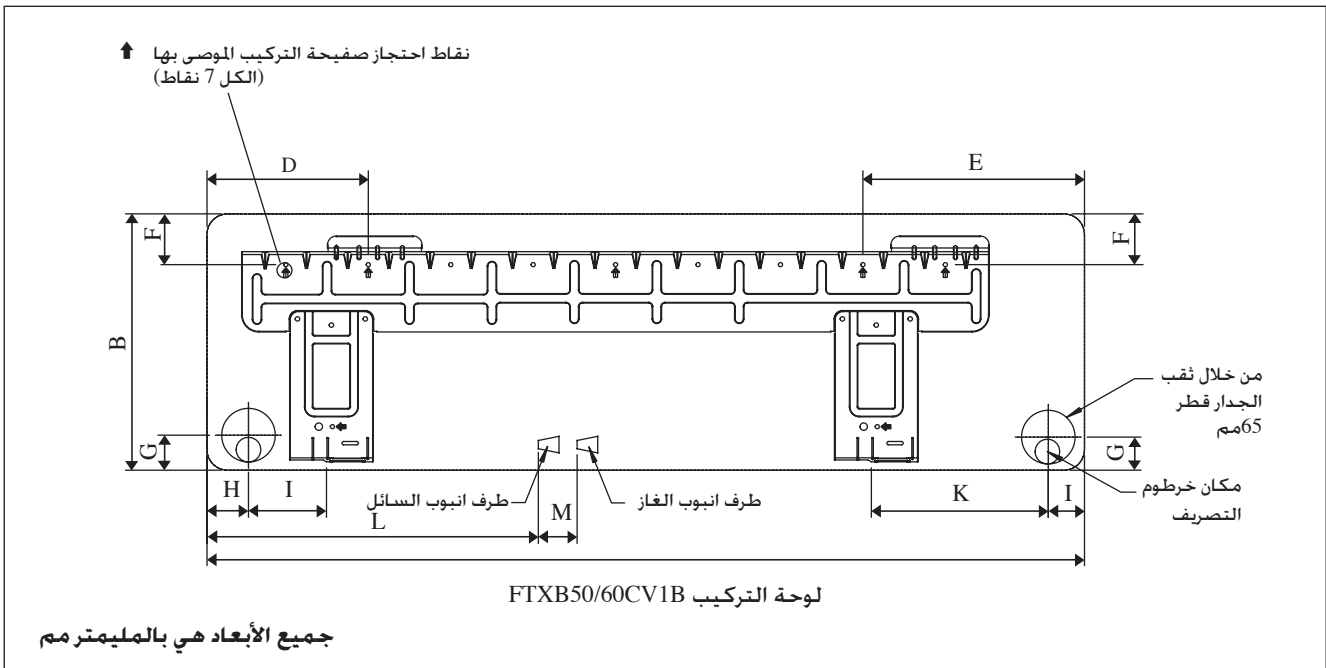
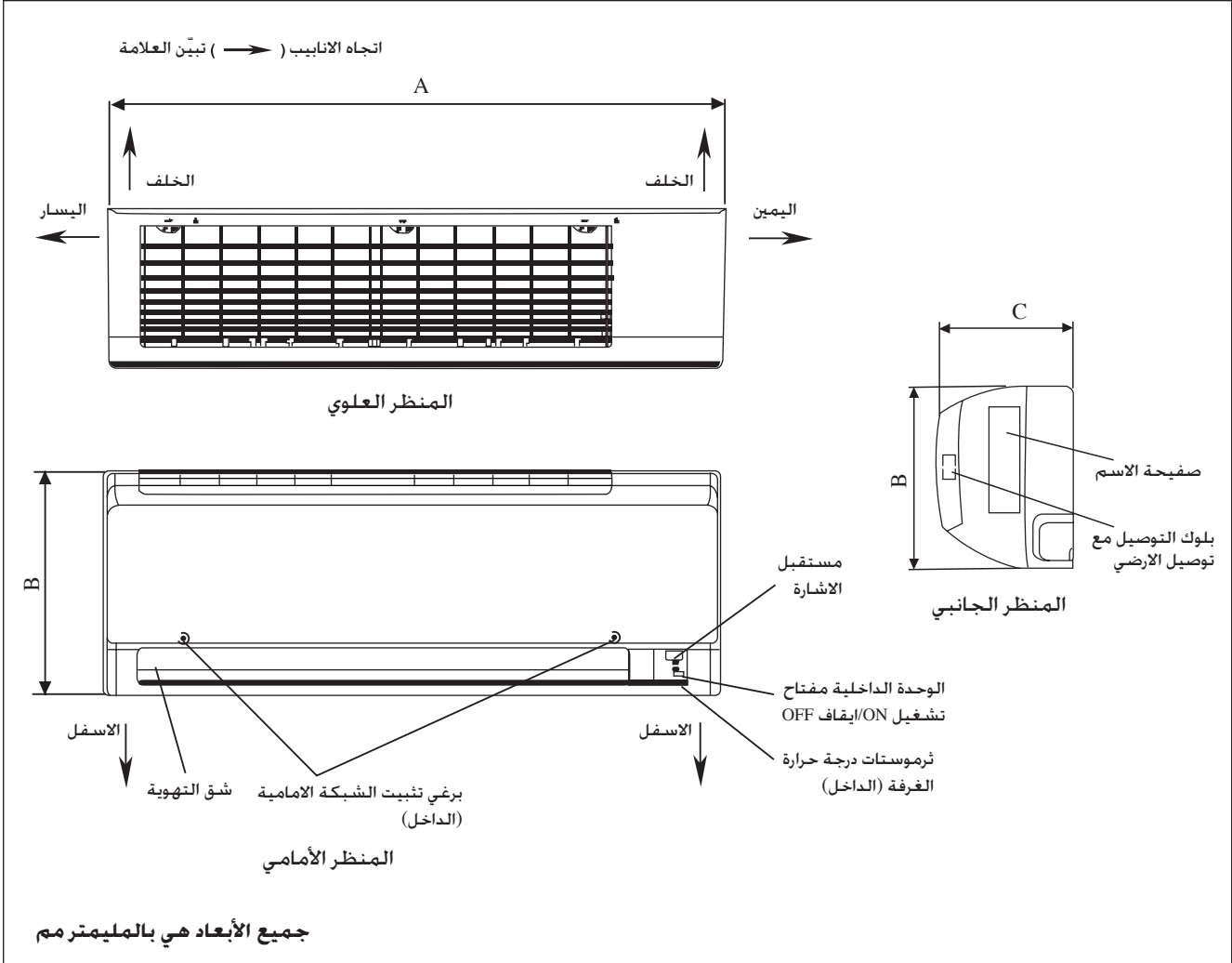
الوحدة الخارجية RXB50/60CV1B

جميع الأبعاد هي بالمليمتر مم



N	M	L	K	J	I	H	G	F	E	D	C	B	A	الأبعاد الموديل
15	164	126	603	113	101	149	93	46	179	520	328	730	855	<b>RXB50/60CV1B</b>

S	R	Q	P	O	الأبعاد الموديل
75	73	362	23	34	<b>RXB50/60CV1B</b>



الموديل	الأبعاد												
FTXB50/60CV1B	A	B	C	D	E	F	G	H	I	J	K	L	M
	1065	310	228	190	173	61	40	45	48	91	219	580	45



**DAIKIN**



# كتيب التركيب

انقسام سلسلة R410A

**INVERTER**

الموديل

RXB50CV1B  
RXB60CV1B

FTXB50CV1B  
FTXB60CV1B

عربي

كتيب التركيب  
انقسام سلسلة R410A